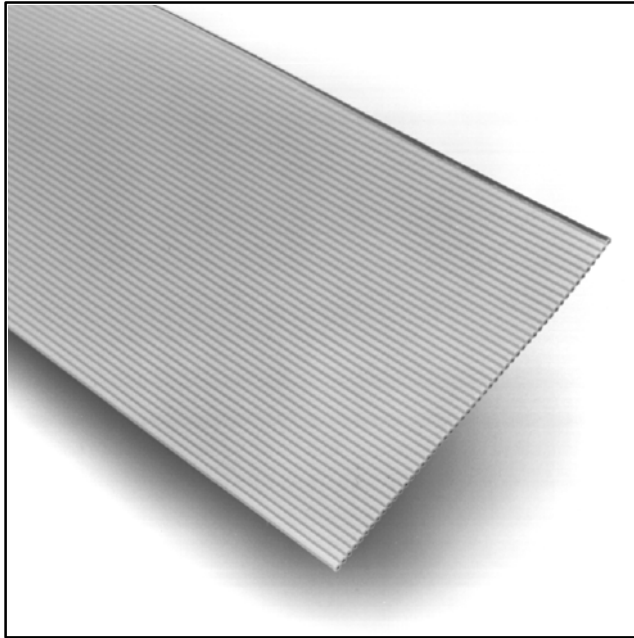


# 3M™ Round Conductor Flat Cable

.050" 26 AWG Stranded, PVC

3801 Series



- 26 AWG wire allows for higher power levels
- Stranded wire provides flexibility and extended product life
- .050 inch centers permit mass termination to a broad line of IDC connectors
- Zippable for branching or discrete termination
- Available in Gray and Black
- RoHS compliant

Date Modified: March 29, 2004

TS-0063-16  
Sheet 1 of 2

---



## Physical

### Insulation

Material: Polyvinyl Chloride (PVC)

Color: Gray Standard, Black (See ordering information.)

Marking: None

Canadian Option:  AWM 2651 105C 300V VW1 3M NU  AWM IA 105C 300V FT1  
EU <50V

Conductors: 26 AWG 7 × 34 [ 7 × 0.160 ] Tinned Stranded Copper

---

## Electrical

Voltage Rating: USA: 300V Canada: 300V EU: <50V

Insulation Resistance:  $> 1 \times 10^{10} \Omega/10 \text{ ft. [ 3m ]}$

Characteristic Impedance: Unbalanced: 89  $\Omega$

Capacitance: Unbalanced: 16.2 pF/ft. [ 53.1 pF/m ]

Inductance: Unbalanced: .13  $\mu\text{H/ft. [ 0.43 } \mu\text{H/m ]}$

Propagation Delay: Unbalanced: 1.44 ns/ft. [ 4.72 ns/m ]

Velocity of Propagation: Unbalanced: 71%

Note: Unbalanced is measured between ground-signal-ground conductors.

---

## Environmental

Temperature Rating: -20°C to +105°C

Flammability Rating: USA: VW-1 Canada: FT1

\*RoHS = Directive 2002/95/EC, Restriction of the Use of Certain Hazardous Substances in Electrical and Electronic Equipment

UL File No.: E42769, Style No.: 2651

**3M**  
Interconnect Solutions  
<http://www.3M.com/interconnects/>

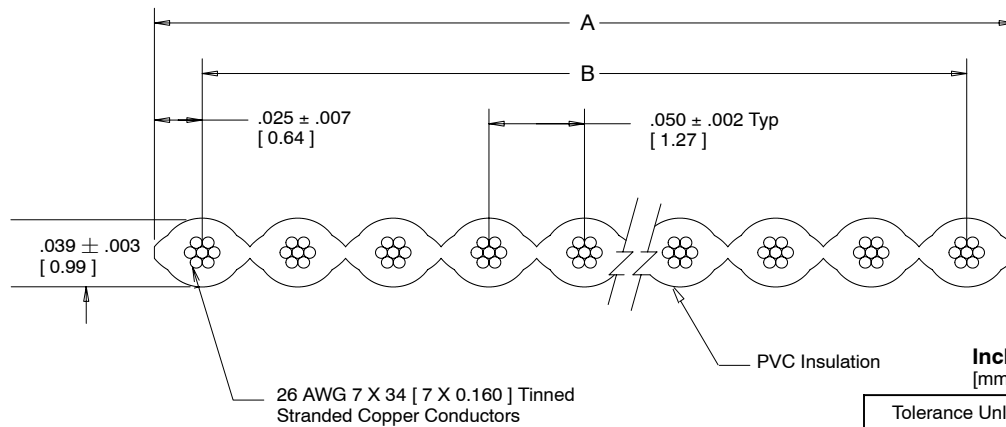
3M is a trademark of 3M Company.  
For technical, sales or ordering information call  
**800-225-5373**

# 3M™ Round Conductor Flat Cable

## .050" 26 AWG Stranded, PVC

3801 Series

Number of Conductors	3M Part Number	Dimension A	Dimension B
09	<b>3801/09</b>	0.450 ± .010 [ 11.43 ]	0.400 ± .007 [ 10.16 ]
10	<b>3801/10</b>	0.500 ± .010 [ 12.70 ]	0.450 ± .007 [ 11.43 ]
14	<b>3801/14</b>	0.700 ± .010 [ 17.78 ]	0.650 ± .007 [ 16.51 ]
15	<b>3801/15</b>	0.750 ± .010 [ 19.05 ]	0.700 ± .007 [ 17.78 ]
16	<b>3801/16</b>	0.800 ± .015 [ 20.32 ]	0.750 ± .011 [ 19.05 ]
18	<b>3801/18</b>	0.900 ± .015 [ 22.86 ]	0.850 ± .011 [ 21.59 ]
20	<b>3801/20</b>	1.000 ± .015 [ 25.40 ]	0.950 ± .011 [ 24.13 ]
24	<b>3801/24</b>	1.200 ± .015 [ 30.48 ]	1.150 ± .011 [ 29.21 ]
25	<b>3801/25</b>	1.250 ± .015 [ 31.75 ]	1.200 ± .011 [ 30.48 ]
26	<b>3801/26</b>	1.300 ± .015 [ 33.02 ]	1.250 ± .011 [ 31.75 ]
30	<b>3801/30</b>	1.500 ± .020 [ 38.10 ]	1.450 ± .015 [ 36.83 ]
34	<b>3801/34</b>	1.700 ± .020 [ 43.18 ]	1.650 ± .015 [ 41.91 ]
36	<b>3801/36</b>	1.800 ± .020 [ 45.72 ]	1.750 ± .015 [ 44.45 ]
37	<b>3801/37</b>	1.850 ± .020 [ 46.99 ]	1.800 ± .015 [ 45.72 ]
40	<b>3801/40</b>	2.000 ± .020 [ 50.80 ]	1.950 ± .015 [ 49.53 ]
44	<b>3801/44</b>	2.200 ± .020 [ 55.88 ]	2.150 ± .015 [ 54.61 ]
50	<b>3801/50</b>	2.500 ± .020 [ 63.50 ]	2.450 ± .015 [ 62.23 ]
60	<b>3801/60</b>	3.000 ± .020 [ 76.20 ]	2.950 ± .015 [ 74.93 ]
64	<b>3801/64</b>	3.200 ± .020 [ 81.28 ]	3.150 ± .015 [ 80.07 ]

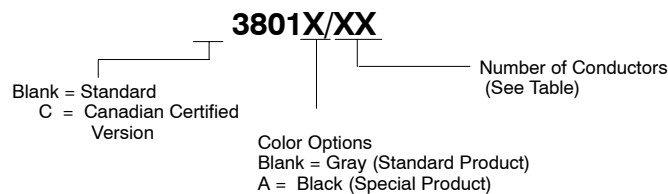


Inch [mm]			
Tolerance Unless Noted			
	.0	.00	.000
Inch	±.1	±.01	±.005

Note: Red marking on one edge of cable designates wire #1.

[ ] Dimensions for Reference only

### Ordering Information



TS-0063-16  
Sheet 2 of 2

### **Important Notice**

All statements, technical information, and recommendations related to 3M's products are based on information believed to be reliable, but the accuracy or completeness is not guaranteed. Before using this product, you must evaluate it and determine if it is suitable for your intended application. You assume all risks and liability associated with such use. Any statements related to the product which are not contained in 3M's current publications, or any contrary statements contained on your purchase order shall have no force or effect unless expressly agreed upon, in writing, by an authorized officer of 3M.



### **Electronic Solutions Division**

6801 River Place Blvd.  
Austin, TX 78726-9000  
[www.3M.com/esd](http://www.3M.com/esd)

### **Warranty; Limited Remedy; Limited Liability.**

This product will be free from defects in material and manufacture for a period of 1 year from the date of purchase. **3M MAKES NO OTHER WARRANTIES INCLUDING, BUT NOT LIMITED TO, ANY IMPLIED WARRANTY OF MERCHANTABILITY OR FITNESS FOR A PARTICULAR PURPOSE.** If this product is defective within the warranty period stated above, your exclusive remedy shall be, at 3M's option, to replace or repair the 3M product or refund the purchase price of the 3M product. **Except where prohibited by law, 3M will not be liable for any loss or damage arising from this 3M product, whether direct, indirect, special, incidental or consequential regardless of the legal theory asserted.**