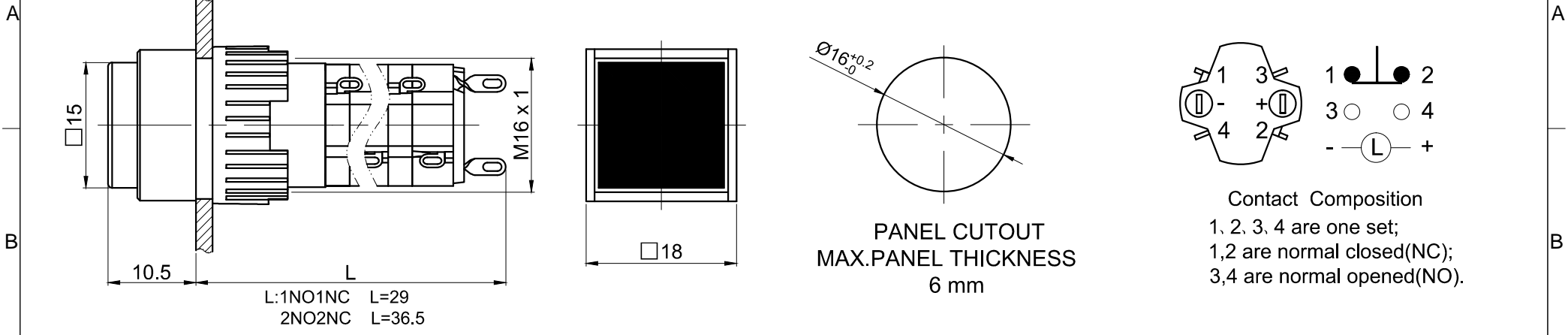
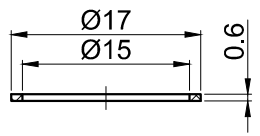


FOR 客户名称	APPROVED 客户确认签字	ATTN 销售负责人



Part Number: LAS1F-□■/△/▲/◎



Seal Ring

□	Contact structure	■	Operation mode	△	Cap or Lamp Color	▲	Lamp Voltage	◎	IP class
11	1NO1NC	No Letter	Momentary	R	Red	6V	AC/DC 6V	No Letter	IP40
22	2NO2NC	Z	Latching	G	Green	12V	AC/DC 12V	FP	IP67
				Y	Yellow	24V	AC/DC 24V		
				B	Blue	110V	AC/DC 110V (External resistor)		
				W	White	220V	AC/DC 220V (External resistor)		
Other voltage can be made to order									

**SPECIFICATIONS:**

- Switch Rating: AC220V/2A, DC220V/0.1A.
- Mechanical Life: Momentary ≥1,000,000cycles  
Latching ≥500,000cycles.
- Electrical Life: ≥50,000cycles.
- Contact Resistance: ≤50mΩ.
- Insulation Resistance: ≥100MΩ.  
Between contact and lamp terminals: AC 2,000V, RMS 50Hz, 1min;  
Between terminals of the same pole: AC 1,500V, RMS 50Hz, 1min;  
Between terminals of different pole: AC 2,000V, RMS 50Hz, 1min.
- Operating Temperature: -25°C ~ +55°C (No Freezing).
- Operating Force: About 2N.
- Terminal Type: Pin Terminal(1.8 x 0.4mm), LED Pin(1.8 x 0.3mm).
- IP Class: IP40, IP67 (with a seal cover).

**MATERIALS:**

- Contact: Silver alloy.
- Button: PC.
- Body: PC.
- Base: UF.

BRAND 品牌 <b>ONPOW</b> THESE DRAWINGS AND SPECIFICATIONS ARE THE PROPERTY OF ONPOW PUSH BUTTON MANUFACTURE CO.,LTD. AND SHALL NOT BE REPRODUCED COPIED OR USED IN ANY MANNER WITHOUT THE PRIOR WRITTEN CONSENT OF ONPOW PUSH BUTTON MANUFACTURE CO.,LTD.	<b>红波按钮制造有限公司</b> ONPOW PUSH BUTTON MANUFACTURE CO.,LTD.	
	USED 用途 FINISH 处理 SCALE 比例	APPD 审核 CH 2020/04/29 CHKD 校对 NCH 2020/04/29 DR. 制图 ZPD 2020/04/29 UNIT 单位 mm
	DIMENSIONS 0.00 TO 18.00mm 18.01 TO 30.00mm 30.01 TO 50.00mm 50.01 TO 80.00mm	TOLERANCE ±0.43mm ±0.52mm ±0.62mm ±0.74mm
	TITLE 名称 LAS1 Series pushbutton switch DWG NO. 图号 LAS1F带灯 FILE NAME 档案名称 LAS1F.DWG	SHEET 张 1 / 1 REV. 更改 1