

HANDHELD READER

125 kHz Contactless Reader/Writer



This handheld reader is designed for 125-kHz transponders. Depending on the interface option it can be connected to a host computer via RS232 or USB.

Typical applications:

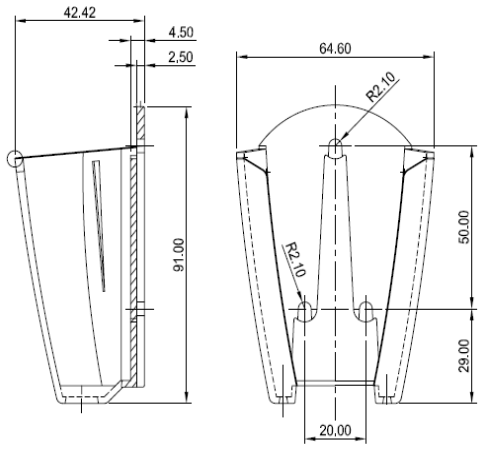
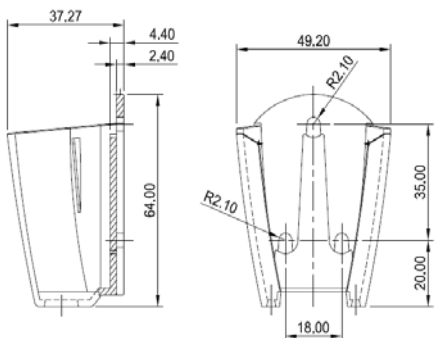

- Tool ID
- Data acquisition

Features:

- Compact housing, easy to connect
- Low power consumption
- RS232 and USB versions available
- Classified as IP41 or IP65
- Easy-to-implement protocol, which is independent of the interface option
- DLL available, which encapsulates the communication protocol
- Multi transponder capability

Technical Data	
Housing	Polystyrol (UL 94 HB)
Frequency	125kHz +/-0.5%
Dimensions (L x W x H)	IP41: 96mm x 47mm x 24mm without cable; USB: 2.0m cable; RS232: 2.0m coiled cable IP65: 140mm x 62.7mm x 30.5mm without cable; USB: 2.0m cable; RS232: 2.0m coiled cable
Interface	USB or RS232
Power Supply	RS232: 5V from USB port via Y-cable USB: USB Powered
Current Consumption	RF field off: 15mA RF field on: typically 60mA
Temperature Range	Operating: -25°C to +80°C (-13°F to 176°F) Storage: -45°C up to +85°C (-49°F up to +185°F)
Relative Humidity	5% to 95% non-condensing
Antenna	Integrated ferrite coil
Read- / Write Distance	Proximity, depending on tag
Transponders Supported	<ul style="list-style-type: none"> ▪ EM4100, EM4102, EM4105, EM4200²⁾ ▪ EM4050, EM4150, EM4350, EM4450 ▪ FDX-B ▪ HITAG 1, HITAG 2, HITAG S (without crypto mode) ▪ Miro ▪ Q5¹⁾ ▪ T5557¹⁾, T5567¹⁾, T5577¹⁾ ▪ TITAN (4050), UNIQUE, ZODIAC
Certification	RoHS-II compliant
Weight	IP41: RS232: Approx. 424g – USB: Approx. 101g IP65: RS232: Approx. 524g – USB: Approx. 201g
Order Code	IP41: RS232: HHRM-NF2B00 – USB: HHRM-NB2B00 IP65: RS232: HHRL-NF2B00 – USB: HHRL-NB2B00

1) Only Manchester I/64, sequence terminator off 2) Only emulation of 4100,4102 and 4105

Accessories		
Order Code	ART15403	ART10499
Description	Wall holder, ABS (UL94 HB), for IP65 model	Wall holder, ABS (UL94 HB), for IP41 model
	 <p>Max. screwhead diameter up to Ø8.00. Suitable screws are acc. to DIN 7981 (e. c. Phillips-screws Ø4.2)</p>	 

Elatec reserves the right to change any information or data in this document without prior notice. The distribution and the update of this document is not controlled. Elatec declines all responsibility for the use of product with any other specifications but the ones mentioned above. Any additional requirement for a specific customer application has to be validated by the customer himself at his own responsibility. Where application information is given, it is only advisory and does not form part of the specification. Disclaimer: All names are registered trademarks. © 2015 Elatec GmbH – DocRev6 – 08/2015