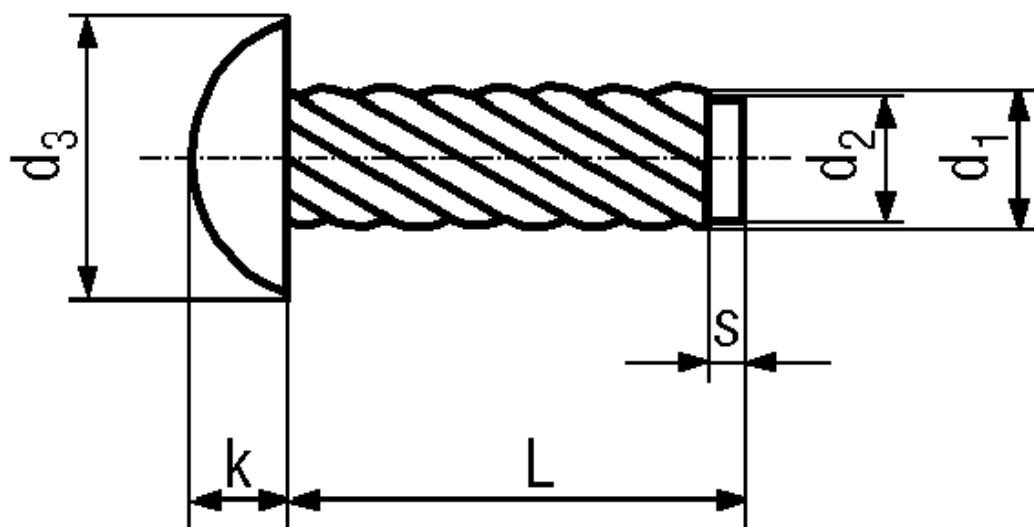


BN 896

Hammer drive screws type U
round head
case-hardened

-UNI 7346



Type	U	Surface	nickel plated
Material	Steel		

Article No. - 1360906

d_1	2,49
L	4,76
Hole- \emptyset	2,2
d_2	2,03-2,11
d_3	3,71-4,11
k	1,5-1,75
s min.	1,19