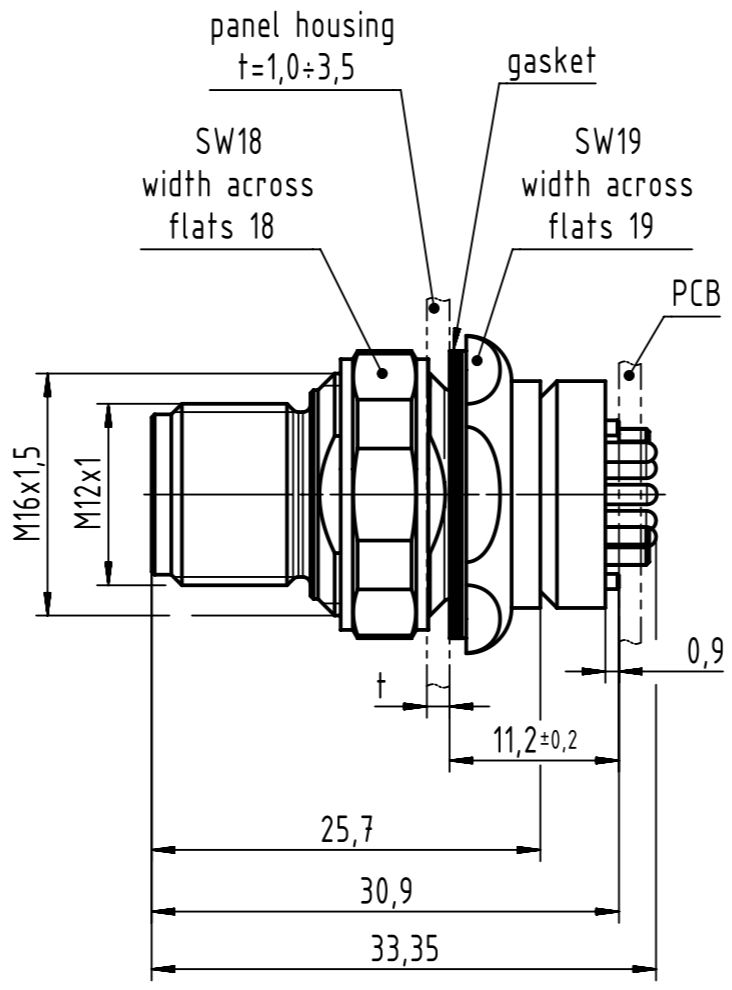
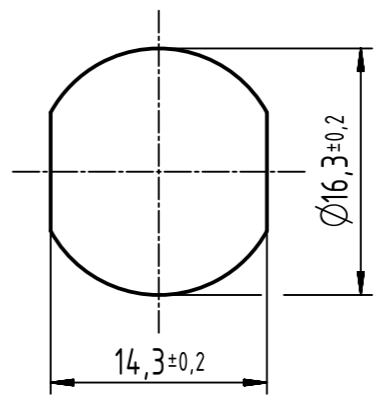


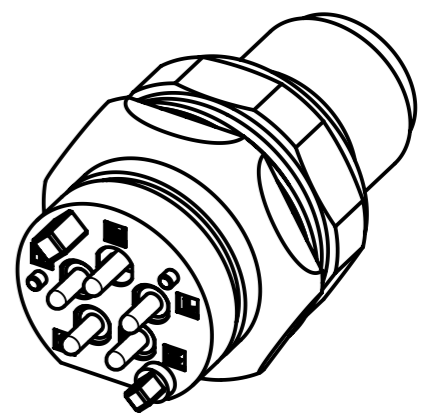
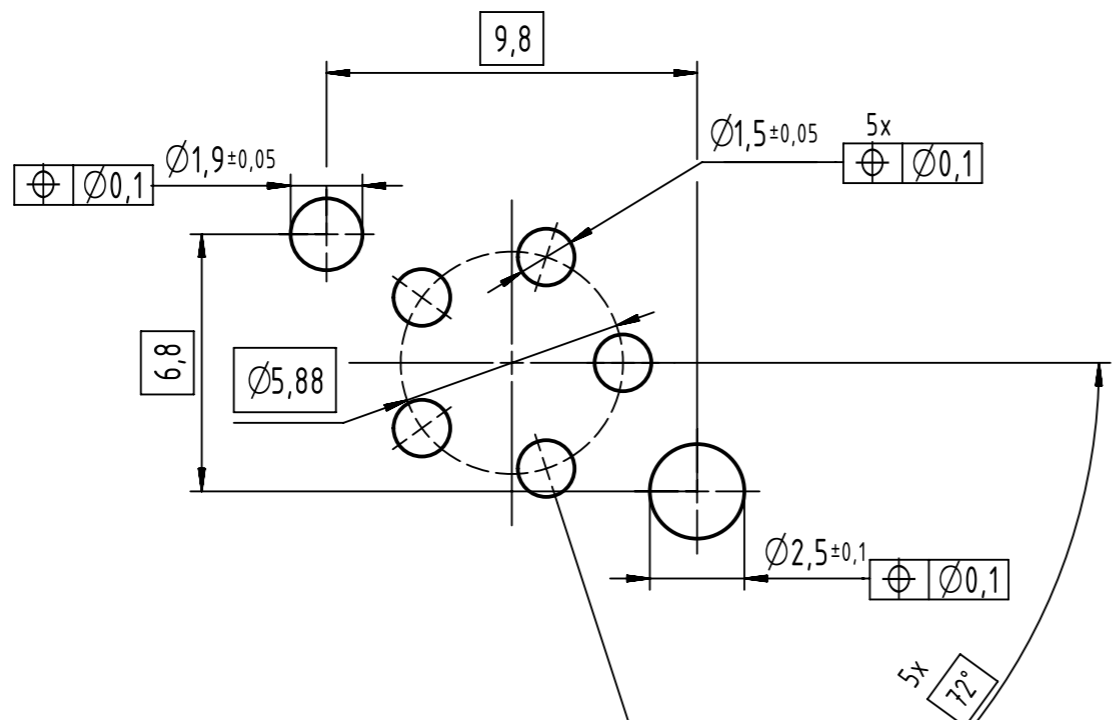
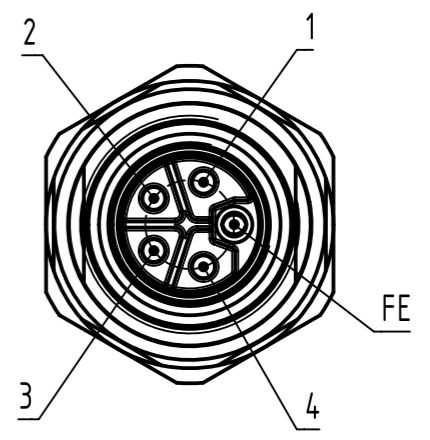
G (5:1)
recommended PCB layout



panel cut out
(2:1)



contact face based on
IEC 61076-2-111



	All rights reserved Department EC PD - RO HARTING Electronics GmbH D-32339 Espelkamp	All Dimensions in mm Original Size DIN A3		Scale 2:1	Free size tol.	Ref. Sub.
		Created by STOICA	Inspected by AVRAM	Standardisation HOFFMANN	Date 2016-03-24	State Final Release
		Title M12 Power PCB receptacle male L-coded back				Doc-Key / ECM-Nr. 100600966/UGD/000/B 500000102230
		Type TB	Number 21033961530		Rev. B	Page 1/1