

54115400	<b>DATA SHEET</b>	
Valid from: 03.07.2018	<b>SKINTOP® K-M / KR-M ATEX plus blue</b>	

The SKINTOP® K-M / KR-M ATEX *plus blue* is a special cable gland, based of polyamide. It is designed particularly for use in electrical equipment in areas with risk of explosion, which require class "e" security (DIN EN 60079-0, DIN EN 60079-7, DIN EN 61241-0, DIN EN 61241-1) - for intrinsically-safe circuit.



### Components:

Gland body	Polyamide, V2 acc. to UL 94
Cap nut	Polyamide, V2 acc. to UL 94
Sealing ring	Special elastomer
O-ring	NBR

### Technical features:

Connecting thread	M12x1,5 up to M63x1,5 acc. to EN 60423
Functional thread	Multi-start trapezoidal thread
Protection class	IP66 acc. to EN 60529 IP68 – 10 bar , test acc. to EN 60529
Temperature range	-20 °C up to +80 °C
Design	K-M        standard KR-M      with reducing sealing ring (for smaller cable diameters)
Colour	RAL 5015 blue

### Approvals:




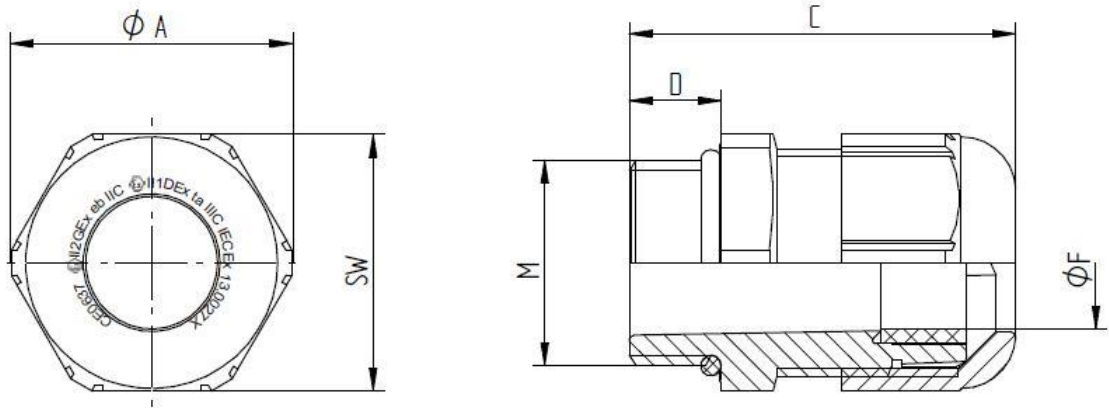
EC Type Examination Certification:	IBExU 08 ATEX 1063x
IECEx Certificate:	IECEx IBE 13.0027x

### Norm references:



Creator: T. Dvoulety /PDP Released: DAMU1/PDP	Document: DB54115400EN Version: 07	Page 1 of 2
--	---------------------------------------	-------------

54115400	<b>DATA SHEET</b>	
Valid from: 03.07.2018	<b>SKINTOP® K-M / KR-M ATEX plus blue</b>	



### SKINTOP® K-M ATEX plus blue

M	SW [mm]	Ø A [mm]	C [mm]		D [mm]	Ø F [mm] Clamping range	Article No.
			min.	max.			
M12x1,5	15	16,6	26,5	30,0	8	3-5,5	54115400
M16x1,5	19	21,1	29,0	34,0	8	7-9	54115410
M20x1,5	25	27,6	34,0	38,0	9	7-13	54115420
M25x1,5	30	33,6	35,0	40,0	10	11-17	54115430
M32x1,5	36	40,3	39,0	47,0	10	12-21	54115440
M40x1,5	46	51,6	43,0	52,0	10	19-28	54115450
M50x1,5	55	61,6	54,0	62,0	12	27-35	54115460
M63x1,5	66	73,9	59,0	71,0	12	37-45	54115470

### SKINTOP® KR-M ATEX plus blue

M	SW [mm]	Ø A [mm]	C [mm]		D [mm]	Ø F [mm] Clamping range	Article No.
			min.	max.			
M12x1,5	15	16,6	26,5	30,0	8	2-4	54115405
M16x1,5	19	21,1	29,0	34,0	8	4-6	54115415
M20x1,5	25	27,6	34,0	38,0	9	5-10	54115425
M25x1,5	30	33,6	35,0	40,0	10	6-13	54115435
M32x1,5	36	40,3	39,0	47,0	10	9-15	54115445
M40x1,5	46	51,6	43,0	52,0	10	16-23	54115455
M50x1,5	55	61,6	54,0	62,0	12	22-29	54115465
M63x1,5	66	73,9	59,0	71,0	12	29-39	54115475

For more information please see our current catalogue. Please do not hesitate to contact our laboratory if there are any questions regarding resistance against aggressive agents and special oil.

Creator: T. Dvoulety /PDP Released: DAMU1/PDP	Document: DB54115400EN Version: 07	Page 2 of 2
--	---------------------------------------	-------------