


# PUSHBUTTON SWITCHES

PRODUCT NUMBER 1662.0101



## TECHNICAL DATA

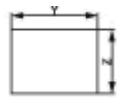
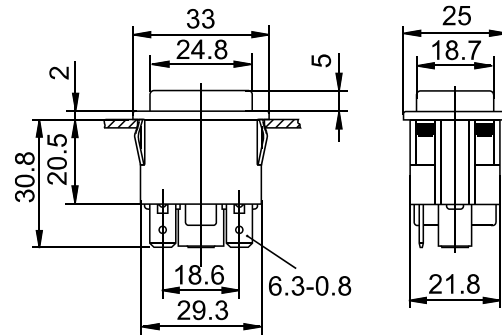
<b>Product number</b>	<b>1662.0101</b>
Actuator color / printing	
Product family	Pushbutton switches
Actuation type	direct
Weight	13.460 g
ROHS conform	yes
Switching function	Normally open contact (SPNO)
Material fixed contact	Ag
Number of poles	1 - pole
connections	Quick-connect terminal, 6.3 x 0.8
Mechanical life endurance	5E4
Rating IEC	16 (4) A 250 V AC 1E4
Contact resistance (new condition)	< 100 (1 A 12 V DC) mOhm
Insulation resistance (new condition)	> 100 (500 V DC) MOhm
Voltage strength at 250 V	<ul style="list-style-type: none"> <li>→ function insulation / basic insulation 1 500 V</li> <li>→ reinforced insulation 3 000 V</li> <li>→ small contact distance 500 V</li> </ul>
Proof tracking	250 PTI

Insulation spacing	acc. to EN 61058 for reinforced or double insulation	
Protection type	→ Connection	IP 40
	→ Actuator	IP 40
Ambient temperature	-20 °C ... +85 °C	
Ambient temperature	-20 °C ... +55 °C	
Storage temperature	-40 °C ... +80 °C	
Flammability	UL 94 V-2	
Glow wire test temperature	850 °C	
Actuators and additional actuators	actuator: PA, black	
Housing description	housing: PA, black base plate: PA glass fiber-reinforced, black	
Connection surface	→ bearing connection	Cu
	→ external connection	Cu
Contact material	Ag	
Contact distance	≥ 3 mm	
Contact type	jump contact	
Plug force of the terminals	≤ 80 N	
Operating force	approx. 8 N	
Approval marks	ENEC 05	
Suitable for appliances of protection class	II	
Additional labeling	year/week of manuf. acc. to DIN EN 60062	
Type of fastening	Snap fastening	
Degree of pollution	3	
Stock version	●	

## PRODUCT IMAGE



## DRAWINGS



X	Y	Z
0.75 ... 1.0	30 +0.1	22.2 +0.2
1.0 ... 1.5	30.2 +0.1	22.2 +0.2
1.5 ... 3.0	30.4 +0.1	22.2 +0.2

X = wall thickness

Technical changes reserved. Dimensions are not binding.  
Detailed specifications available on request.

Marquardt GmbH · Schloss-Straße 16 · 78604 Rietheim-Weilheim · Germany  
Phone: +49 (0) 7424 / 99-0 · Fax: +49 (0) 7424 / 99-2399 · [www.marquardt.com](http://www.marquardt.com) · [marquardt@marquardt.de](mailto:marquardt@marquardt.de)