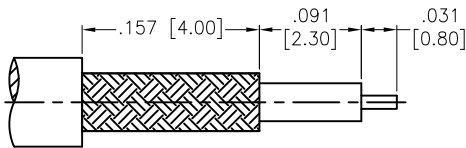
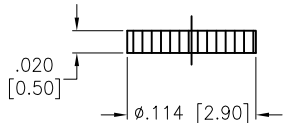
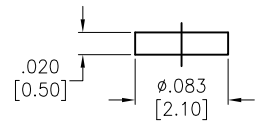
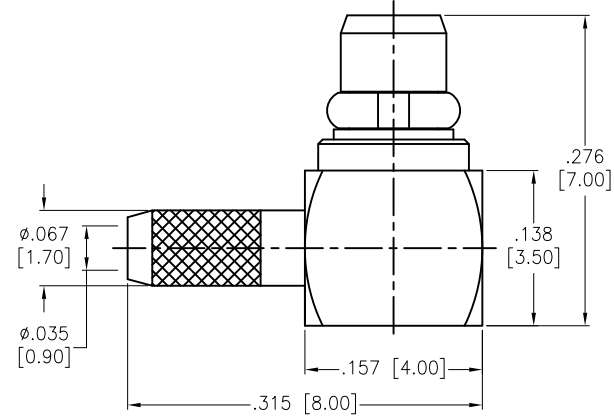


6	5	4	3	2	1		
APPROVED: _____			Rev	AWO #	Description	Date	Appr
DATE: _____ TITLE: _____			-		RELEASED	9/2/15	



RECOMMENDED
CABLE STRIPPING DIM'S



FERRULE	BRASS	GOLD
COVER	BRASS	GOLD
INSULATOR	POM	NATURAL
CONTACT PIN	BRASS	GOLD
RING	BERYLLIUM COPPER	GOLD
BODY	BRASS	GOLD
INSULATOR	PTFE	WHITE
BARREL	BRASS	GOLD
DESCRIPTION	MATERIAL	FINISH

SPECIFICATIONS:
Electrical:
 Frequency Range: DC-6 GHz
 Normal Impedance: 50 ohm
 Operating voltage: 170 VOLTS max.
 Proof voltage: 500 VOLTS
 VSWR: 1.3 max. @ 3 GHz
Temperature Rating:
 Operating temperature: -55°C to +155°C
 Environmental:
 Lead free, RoHS compliant.



UNLESS OTHERWISE SPECIFIED ALL DIMENSIONS ARE INCHES [MM] TOLERANCES: EXCEPT AS NOTED		
INCHES HOLES		
.X ± .10	∅.X ± .10	
.XX ± .020	∅.XX ± .015	
.XXX ± .015	∅.XXX ± .010	
APPROVALS		DATE
DRAWN	HR	9/2/15
CHECKED	AC	9/2/15
APPROVED		

ADAM TECH
 909 Rahway Avenue, Union, NJ 07083
 Phone: 908-687-5000 Fax: 908-687-5710

TITLE RF CONNECTOR, TYPE MMCX, RIGHT ANGLE, 50 OHM, 178U		
SIZE X	PART NO. RF12-08A-T-21-50-G	REV. -
REF: S00277T	SCALE: NTS	SHEET 1 OF 1