

SKYPER 32 R



SKYPER®

IGBT Driver Core

Order Nr.: L6100102

SKYPER 32 R

Features

- Two output channels
- Integrated potential free power supply
- Under voltage protection
- Driver interlock top / bottom
- Dynamic short circuit protection
- Shut down input
- Failure management
- UL recognized, ROHS
- IEC 60068-1 (climate) 40/085/56, no condensation and no dripping water permitted, non-corrosive, climate class 3K3 acc. EN60721

Typical Applications*

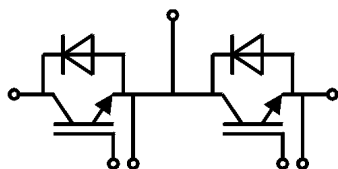
- Driver for IGBT modules in bridge circuits in industrial application
- DC bus voltage up to 1200V

Footnotes

with external high voltage diode
Please Note: the insulation test is not performed as a series test at SEMIKRON and must be performed by the user according to VDE 0110-20 can be expanded to 6,3μQ with boost capacitors

Isolation coordination in compliance with EN50178 PD2

Operating temperature is real ambient temperature around the driver core
Degree of protection: IP00



Driver Core

Absolute Maximum Ratings

Symbol	Conditions	Values	Unit
V_s	Supply voltage primary	16	V
V_{iH}	Input signal voltage (HIGH)	$V_s + 0.3$	V
V_{iL}	Input signal voltage (LOW)	GND - 0.3	V
$I_{outPEAK}$	Output peak current	15	A
$I_{outAVmax}$	Output average current	50	mA
f_{max}	Max. switching frequency	50	kHz
V_{CE}	Collector emitter voltage sense across the IGBT	1700	V
dv/dt	Rate of rise and fall of voltage secondary to primary side	50	kV/μs
V_{isolIO}	Insulation test voltage input - output (AC, rms, 2s)	4000	V
V_{isolPD}	Partial discharge extinction voltage, rms, $Q_{PD} \leq 10pC$	1500	V
V_{isol12}	Insulation test voltage output 1 - output 2 (AC, rms, 2s)	1500	V
$R_{Gon\ min}$	Minimum rating for external R_{Gon}	1.5	Ω
$R_{Goff\ min}$	Minimum rating for external R_{Goff}	1.5	Ω
$Q_{out/pulse}$	Max. rating for output charge per pulse	2.5	μC
T_{op}	Operating temperature	-40 ... 85	°C
T_{stg}	Storage temperature	-40 ... 85	°C

Characteristics

Symbol	Conditions	min.	typ.	max.	Unit
V_s	Supply voltage primary side	14.4	15	15.6	V
I_{s0}	Supply current primary (no load)		80		mA
	Supply current primary side (max.)			450	mA
V_i	Input signal voltage on / off		15 / 0		V
V_{IT+}	Input threshold voltage (HIGH)			12.3	V
V_{IT-}	Input threshold voltage (LOW)	4.6			V
R_{iN}	Input resistance (switching/HALT signal)		10		kΩ
$V_{G(on)}$	Turn on output voltage		15		V
$V_{G(off)}$	Turn off output voltage		-7		V
f_{ASIC}	Asic system switching frequency		8		MHz
$t_{d(on)O}$	Input-output turn-on propagation time		1.1		μs
$t_{d(off)O}$	Input-output turn-off propagation time		1.1		μs
$t_{d(terr)}$	Error input-output propagation time	5.4		7.9	μs
t_{pRESET}	Error reset time		0.009		ms
t_{TD}	Top-Bot interlock dead time		3	4.3	μs
C_{ps}	Coupling capacitance prim sec		12		pF
w	weight		28		g
MTBF	Mean Time Between Failure		2.5		10 ⁶ h

This is an electrostatic discharge sensitive device (ESDS), international standard IEC 60747-1, chapter IX.

*IMPORTANT INFORMATION AND WARNINGS

The specifications of SEMIKRON products may not be considered as guarantee or assurance of product characteristics ("Beschaffheitsgarantie"). The specifications of SEMIKRON products describe only the usual characteristics of products to be expected in typical applications, which may still vary depending on the specific application. Therefore, products must be tested for the respective application in advance. Application adjustments may be



SKYPER®

IGBT Driver Core

Order Nr.: L6100102

SKYPER 32 R

Features

- Two output channels
- Integrated potential free power supply
- Under voltage protection
- Driver interlock top / bottom
- Dynamic short circuit protection
- Shut down input
- Failure management
- UL recognized, ROHS
- IEC 60068-1 (climate) 40/085/56, no condensation and no dripping water permitted, non-corrosive, climate class 3K3 acc. EN60721

Typical Applications*

- Driver for IGBT modules in bridge circuits in industrial application
- DC bus voltage up to 1200V

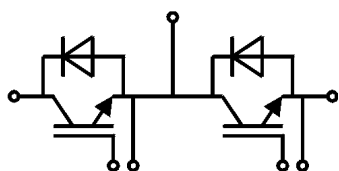
Footnotes

with external high voltage diode
Please Note: the insulation test is not performed as a series test at SEMIKRON and must be performed by the user according to VDE 0110-20 can be expanded to 6,3μQ with boost capacitors

Isolation coordination in compliance with EN50178 PD2

Operating temperature is real ambient temperature around the driver core
Degree of protection: IP00

necessary. The user of SEMIKRON products is responsible for the safety of their applications embedding SEMIKRON products and must take adequate safety measures to prevent the applications from causing a physical injury, fire or other problem if any of SEMIKRON products become faulty. The user is responsible to make sure that the application design is compliant with all applicable laws, regulations, norms and standards. Except as otherwise explicitly approved by SEMIKRON in a written document signed by authorized representatives of SEMIKRON, SEMIKRON products may not be used in any applications where a failure of the product or any consequences of the use thereof can reasonably be expected to result in personal injury. No representation or warranty is given and no liability is assumed with respect to the accuracy, completeness and/or use of any information herein, including without limitation, warranties of non-infringement of intellectual property rights of any third party. SEMIKRON does not assume any liability arising out of the applications or use of any product; neither does it convey any license under its patent rights, copyrights, trade secrets or other intellectual property rights, nor the rights of others. SEMIKRON makes no representation or warranty of non-infringement or alleged non-infringement of intellectual property rights of any third party which may arise from applications. Due to technical requirements our products may contain dangerous substances. For information on the types in question please contact the nearest SEMIKRON sales office. This document supersedes and replaces all information previously supplied and may be superseded by updates. SEMIKRON reserves the right to make changes.



Driver Core

Technical Explanations

Revision 07
 Status:
 Prepared by: Niklas Hofstötter, Johannes Krapp
 Approved by: Marco Honsberg
 Date: 20.08.2018

This Technical Explanation is valid for the following parts:

part number:	L6100102	SKYPER 32 R	Standard type
	L6100103	SKYPER 32/01 R	Standard type with coating
date code (YYWW):	≥ 1838		

SKYPER® 32 R / SKYPER 32/01 R

Content

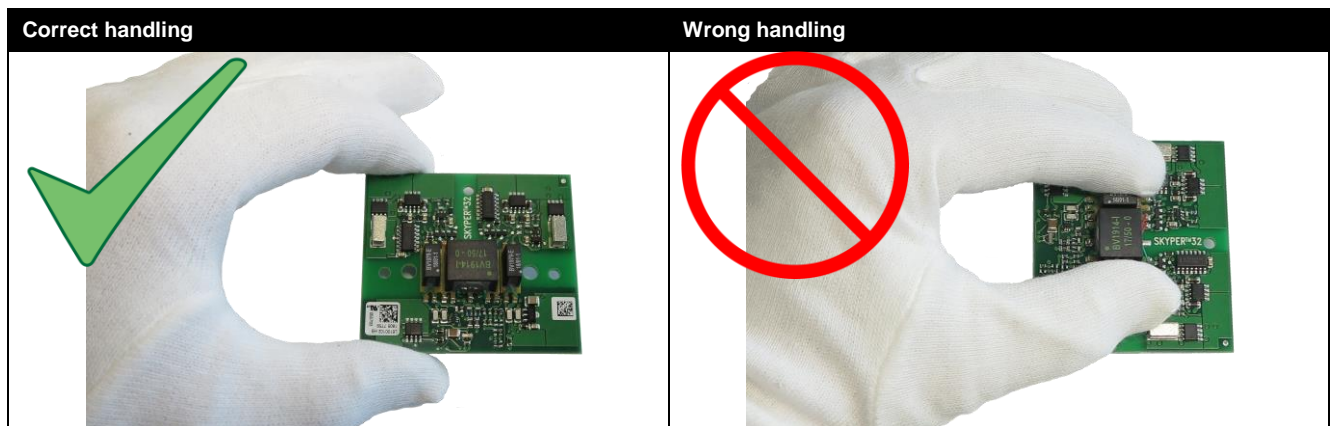
Application and Handling Instructions	2
Further application support	3
General Description	3
Features of SKYPER 32 R	3
UL specified remarks	4
Block diagram	4
Dimensions	4
PIN Array – Primary Side.....	5
PIN Array – Secondary Side.....	6
Driver Performance.....	7
Insulation.....	7
Isolation Test Voltage	8
Auxiliary Power Supply	8
Under Voltage Protection of driver power supply (UVP)	9
Input Signals	9
Short Pulse Suppression (SPS)	9
Failure Management.....	10
Shut Down Input (SDI).....	10
Dead Time generation (Interlock TOP / BOT) (DT).....	11
Dynamic Short Circuit Protection by V_{CEsat} monitoring / de-saturation monitoring (DSCP).....	11
Adjustment of DSCP.....	12
High Voltage Diode for DSCP.....	13
Gate resistors	13
External Boost Capacitors (BC).....	14
Application Example	14
Mounting Notes.....	15
Environmental Conditions.....	15
Marking	16

Please note:

Unless otherwise specified, all values in this technical explanation are typical values. Typical values are the average values expected in large quantities and are provided for information purposes only. These values can and do vary in different applications. All operating parameters should be validated by user's technical experts for each application.

Application and Handling Instructions

- Please provide for static discharge protection during handling. As long as the hybrid driver is not completely assembled, the input terminals have to be short-circuited. Persons working with devices have to wear a grounded bracelet. Any synthetic floor coverings must not be statically chargeable. Even during transportation the input terminals have to be short-circuited using, for example, conductive rubber. Worktables have to be grounded. The same safety requirements apply to MOSFET- and IGBT-modules.
- Any parasitic inductances within the DC-link have to be minimised. Over-voltages may be absorbed by C- or RCD-snubbers between main terminals for PLUS and MINUS of the power module.
- When first operating a newly developed circuit, SEMIKRON recommends to apply low collector voltage and load current in the beginning and to increase these values gradually, observing the turn-off behaviour of the free-wheeling diode and the turn-off voltage spikes generated across the IGBT. An oscillographic control will be necessary. Additionally, the case temperature of the module has to be monitored. When the circuit works correctly under rated operation conditions, short-circuit testing may be done, starting again with low collector voltage.
- It is important to feed any errors back to the control circuit and to switch off the device immediately in failure events. Repeated turn-on of the IGBT into a short circuit with a high frequency may destroy the device.
- The inputs of the hybrid driver are sensitive to over-voltage. Voltages higher than $V_s + 0,3V$ or below $-0,3V$ may destroy these inputs. Therefore, control signal over-voltages exceeding the above values have to be avoided.
- The connecting leads between hybrid driver and the power module should be as short as possible (max. 20cm), the driver leads should be twisted.
- When handling the driver, do not pick up the driver at the transformers. The driver **MUST** be handled at the PCB sides.



Further application support

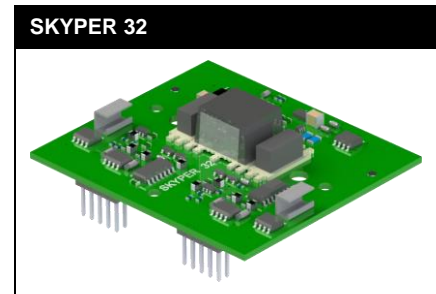
Latest information is available at <http://www.semikron.com>. For design support please read the SEMIKRON Application Manual Power Modules available at <http://www.semikron.com>.

General Description

The SKYPER 32 core constitutes an interface between IGBT modules and the controller. The driver is developed according to the requirements of UL standard. This core is a half bridge driver. Basic functions for driving, potential separation and protection are integrated in the driver. Thus it can be used to build up a driver solution for IGBT modules.

Features of SKYPER 32 R

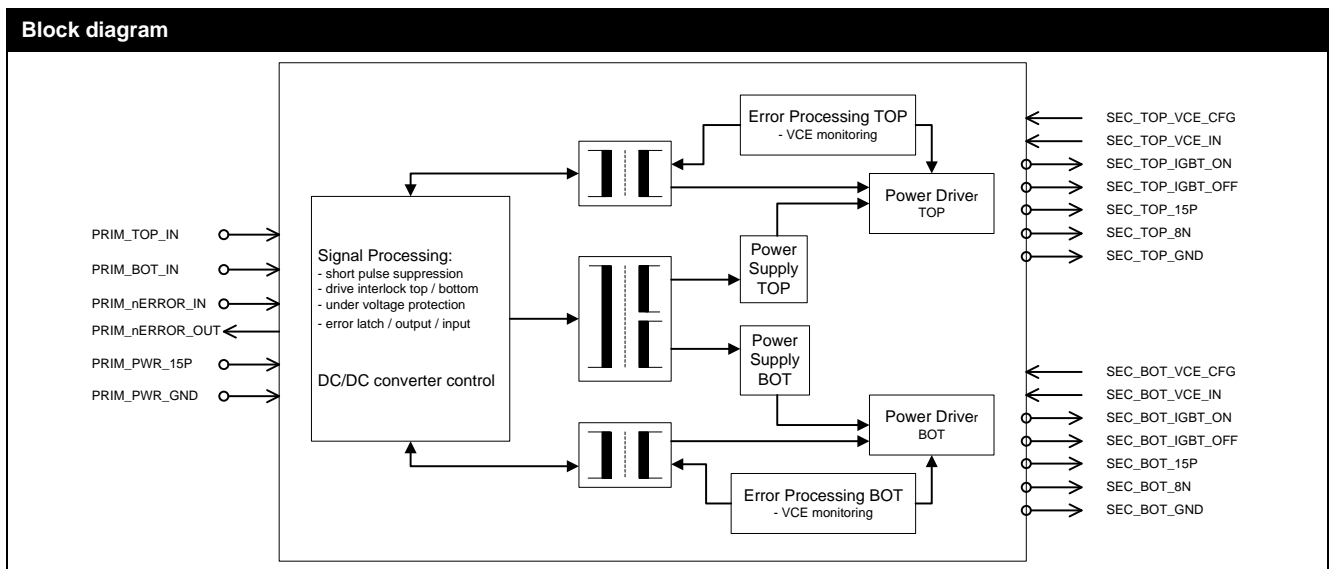
- Two output channels
- Integrated potential free power supply for the secondary side
- Short Pulse Suppression (SPS)
- Under Voltage Protection (UVP)
- Drive interlock (dead time) top / bottom (DT)
- Dynamic Short Circuit Protection (DSCP) by V_{CE} monitoring and direct switch off
- Shut Down Input (SDI)
- UL recognized, ROHS
- Failure Management
- Expandable by External Boost Capacitors (BC)
- DC bus voltage up to 1200V



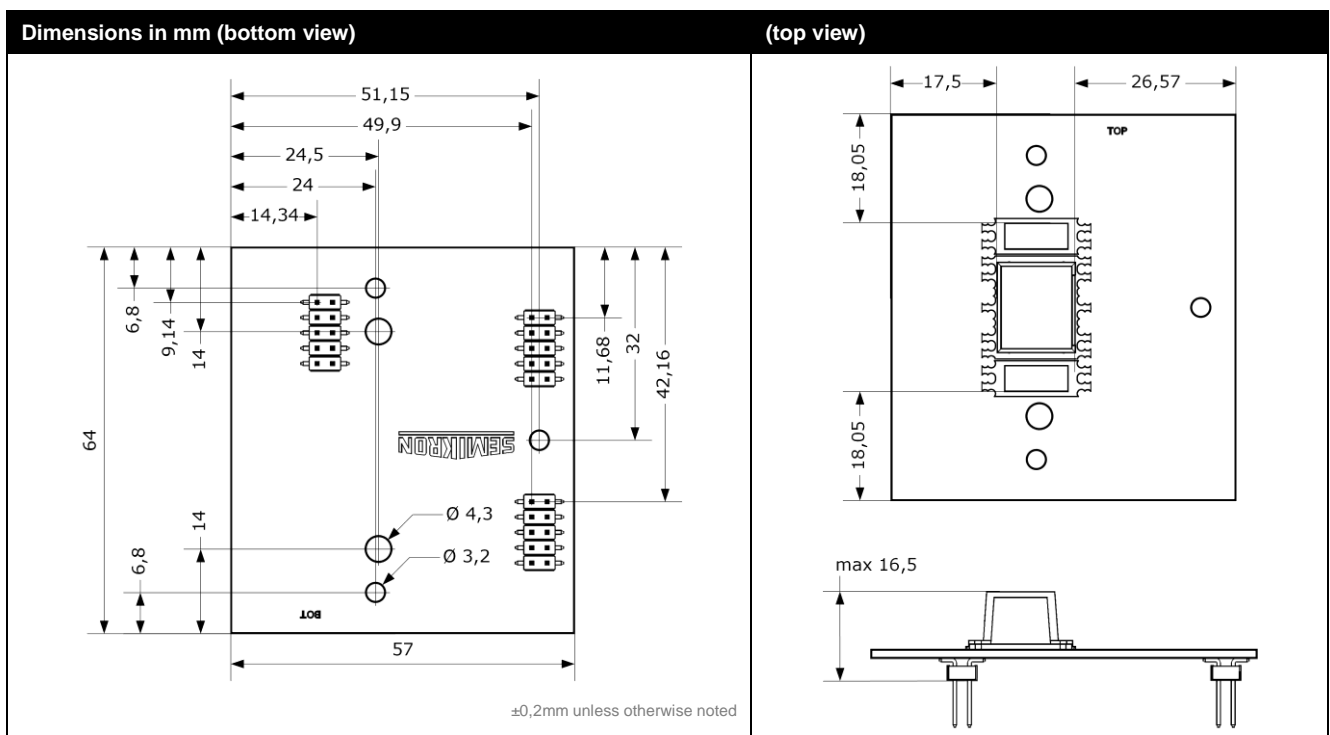
UL specified remarks

- The equipment shall be installed in compliance with the mounting and spacing requirements of the end-use application.
- SKYPER 32 shall be supplied by an isolated limited voltage / limited current source or a Class 2 source. The 15 A peak rating is an instantaneous peak rating only.
- These devices do not incorporate solid-state motor overload protection. The need for overload protection and over-current protection devices shall be determined in the end-use product.
- These devices have not been evaluated to over-voltage, over-current, and over-temperature control, and may need to be subjected to the applicable end-product tests.
- Temperature and tests shall be considered in the end use. Due to the limited current source, only the effect of heat generating components in this device on adjacent components in the end product needs to be considered.
- Connectors have not been evaluated field wiring; all connections are to be factory wired only.

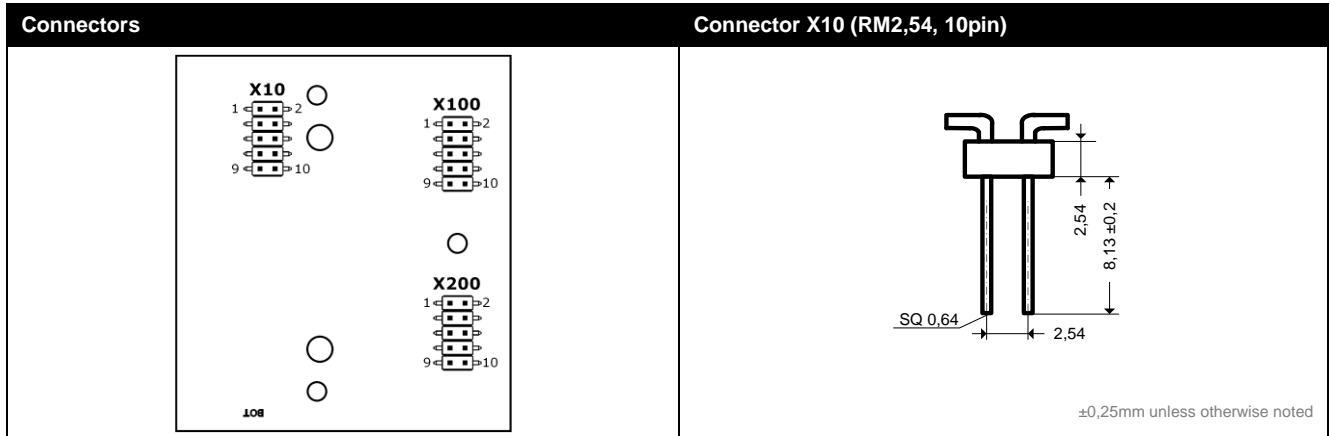
Block diagram



Dimensions

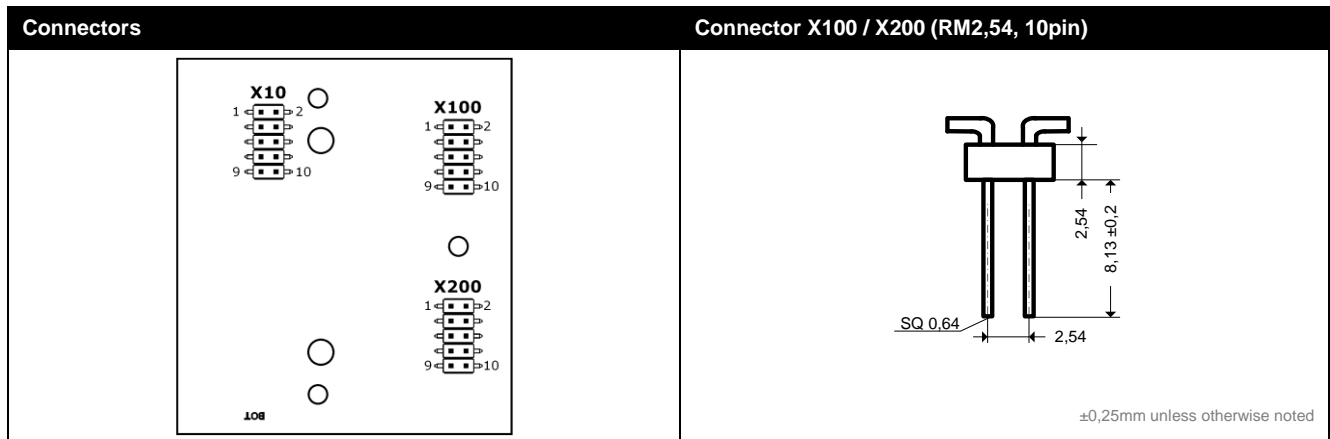


PIN Array – Primary Side



PIN	Signal	Function	Specification
X10:01	PRIM_PWR_GND	GND for power supply and GND for digital signals	
X10:02	PRIM_PWR_GND	GND for power supply and GND for digital signals	
X10:03	PRIM_nERROR_OUT	ERROR output	LOW = NO ERROR; open collector output; max. 30V / 15mA (external pull up resistor necessary)
X10:04	PRIM_nERROR_IN	ERROR input	5V logic; LOW active
X10:05	PRIM_PWR_GND	GND for power supply and GND for digital signals	
X10:06	PRIM_PWR_GND	GND for power supply and GND for digital signals	
X10:07	PRIM_TOP_IN	Switching signal input (TOP switch)	Digital 15 V; 10 kOhm impedance; LOW = TOP switch off; HIGH = TOP switch on
X10:08	PRIM_BOT_IN	Switching signal input (BOTTOM switch)	Digital 15 V; 10 kOhm impedance; LOW = BOT switch off; HIGH = BOT switch on
X10:09	PRIM_PWR_15P	Drive core power supply	Stabilised +15V ±4%
X10:10	PRIM_PWR_15P	Drive core power supply	Stabilised +15V ±4%

PIN Array – Secondary Side

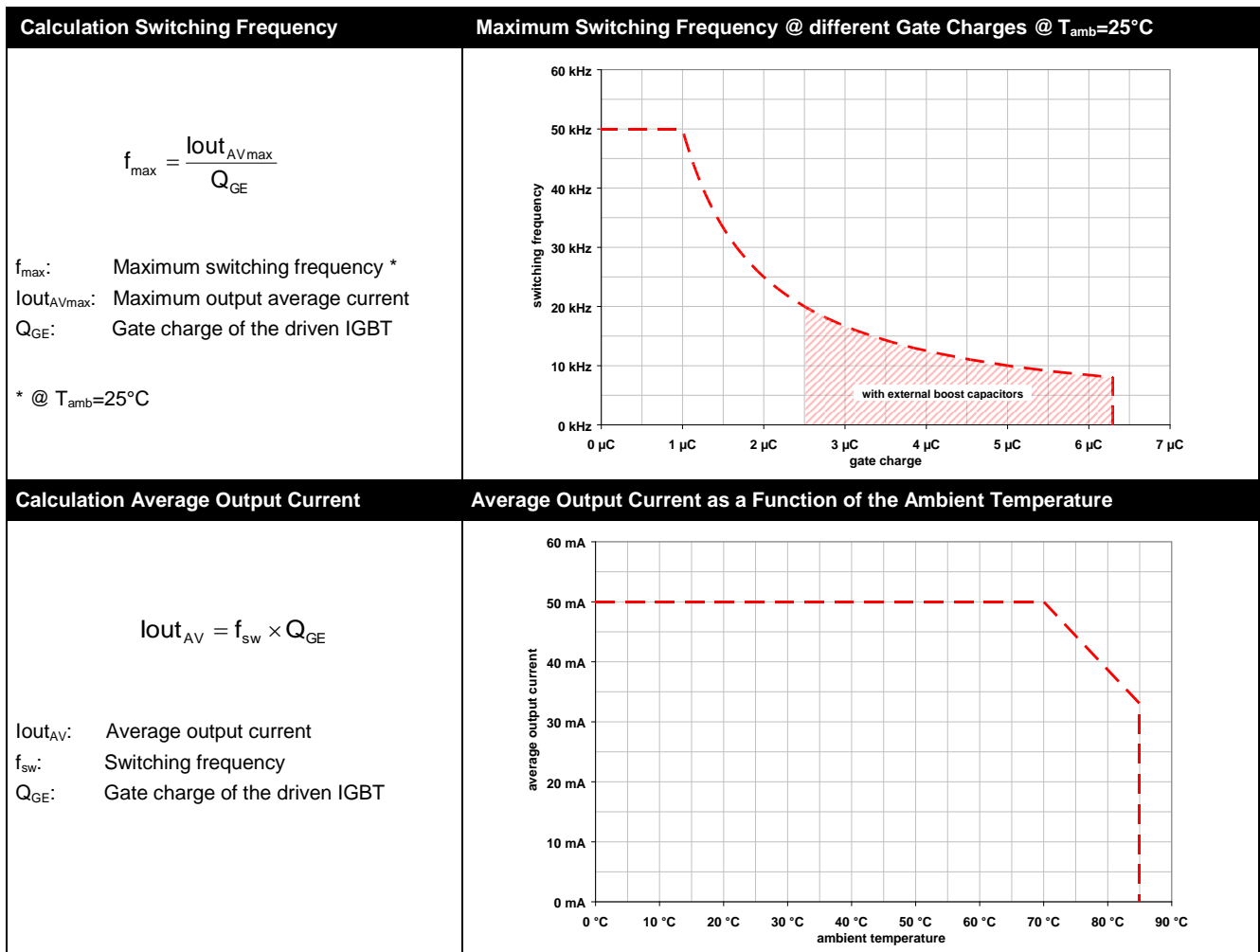


PIN	Signal	Function	Specification
X100:01	SEC_TOP_VCE_CFG	Input reference voltage adjustment	
X100:02	SEC_TOP_VCE_IN	Input V_{CE} monitoring	
X100:03	SEC_TOP_15P	Output power supply for external buffer capacitors	Stabilised +15V
X100:04	SEC_TOP_15P	Output power supply for external buffer capacitors	Stabilised +15V
X100:05	SEC_TOP_GND	GND for power supply and GND for digital signals	
X100:06	SEC_TOP_IGBT_ON	Switch on signal TOP IGBT	
X100:07	SEC_TOP_GND	GND for power supply and GND for digital signals	
X100:08	SEC_TOP_IGBT_OFF	Switch off signal TOP IGBT	
X100:09	SEC_TOP_8N	Output power supply for external buffer capacitors	Stabilised -7V
X100:10	SEC_TOP_8N	Output power supply for external buffer capacitors	Stabilised -7V
X200:01	SEC_BOT_VCE_CFG	Input reference voltage adjustment	
X200:02	SEC_BOT_VCE_IN	Input V_{CE} monitoring	
X200:03	SEC_BOT_15P	Output power supply for external buffer capacitors	Stabilised +15V
X200:04	SEC_BOT_15P	Output power supply for external buffer capacitors	Stabilised +15V
X200:05	SEC_BOT_GND	GND for power supply and GND for digital signals	
X200:06	SEC_BOT_IGBT_ON	Switch on signal BOT IGBT	
X200:07	SEC_BOT_GND	GND for power supply and GND for digital signals	
X200:08	SEC_BOT_IGBT_OFF	Switch off signal BOT IGBT	
X200:09	SEC_BOT_8N	Output power supply for external buffer capacitors	Stabilised -7V
X200:10	SEC_BOT_8N	Output power supply for external buffer capacitors	Stabilised -7V

Driver Performance

The driver is designed for application with half bridges or single modules and a maximum gate charge per pulse < 2, 5µC (< 6, 3µC with external boost capacitors). The charge necessary to switch the IGBT is mainly depending on the IGBT's chip size, the DC-link voltage and the gate voltage. This correlation is shown in module datasheets. It should, however, be considered that the driver is turned on at +15V and turned off at -7V. Therefore, the gate voltage will change by 22V during each switching procedure. Unfortunately, many datasheets do not show negative gate voltages. In order to determine the required charge, the upper leg of the charge curve may be prolonged to +22V for determination of approximate charge per switch.

The medium output current of the driver is determined by the switching frequency and the gate charge. The maximum switching frequency may be calculated with the shown equation and is limited by the average current of the driver power supply and the power dissipation of driver components.



Please note:
 The maximum value of the switching frequency is limited to 50kHz due to switching

Insulation

Magnetic transformers are used for insulation between gate driver primary and secondary side. The transformer set consists of pulse transformers which are used bidirectional for turn-on and turn-off signals of the IGBT and the error feedback between secondary and primary side, and a DC/DC converter. This converter provides a potential separation (galvanic separation) and power supply for the two secondary (TOP and BOT) sides of the driver. Thus, external transformers for external power supply are not required.

Creepage and Clearance Distance in mm	
Primary to secondary	Min. 12,2

Isolation Test Voltage

The isolation test voltage represents a measure of immunity to transient voltages. The maximum test voltage and time applied once between input and output, and once between output 1 and output 2 are indicated in the absolute maximum ratings. The high-voltage isolation tests and repeated tests of an isolation barrier can degrade isolation capability due to partial discharge. Repeated isolation voltage tests should be performed with reduced voltage. The test voltage must be reduced by 20% for each repeated test.

The isolation of the isolation barrier (transformer) is checked in the part. With exception of the isolation barrier, no active parts, which could break through are used. An isolation test is not performed as a series test. Therefore, the user can perform once the isolation test with voltage and time indicated in the absolute maximum ratings.

Please note:

An isolation test is not performed at SEMIKRON as a series

Auxiliary Power Supply

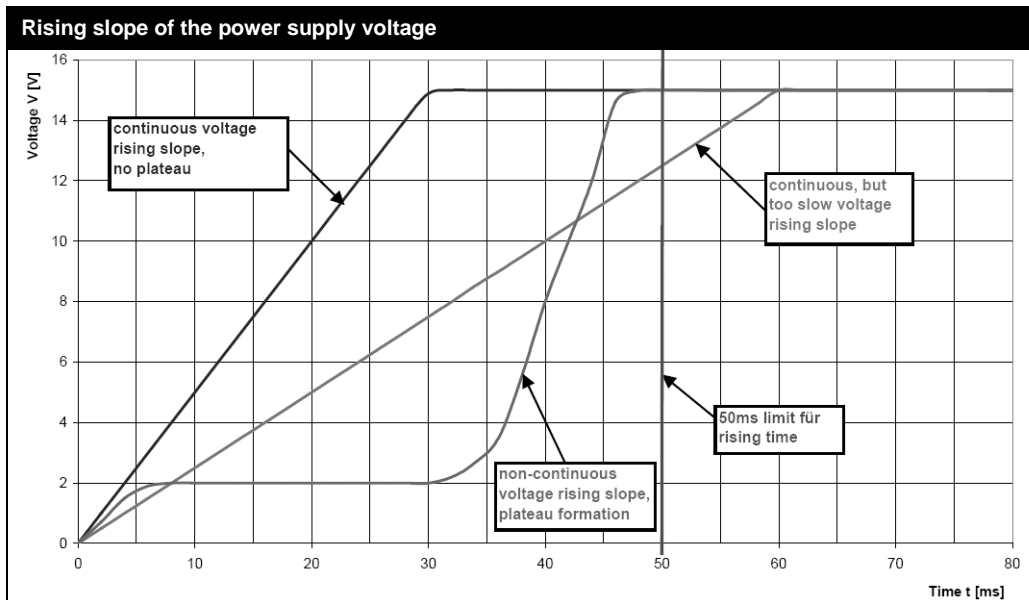
A few basic rules should be followed when dimensioning the customer side power supply for the driver. The following table shows the required features of an appropriate power supply.

Requirements of the auxiliary power supply	
Regulated power supply	+15V ±4%
Maximum rise time of auxiliary power supply	50ms
Minimum peak current of auxiliary supply	1A
Power on reset completed after	150ms

Please note:

Do not apply switching signals during power on reset.

The supplying switched mode power supply may not be turned-off for a short time as consequence of its current limitation. Its output characteristic needs to be considered. Switched mode power supplies with fold-back characteristic or hiccup-mode can create problems if no sufficient over current margin is available. The voltage has to rise continuously and without any plateau formation as shown in the following diagram.



If the power supply is able to provide a higher current, a peak current will flow in the first instant to charge up the input capacitances on the driver. Its peak current value will be limited by the power supply and the effective impedances (e.g. distribution lines), only.

It is recommended to avoid the paralleling of several customer side power supply units. Their different set current limitations may lead to dips in the supply voltage.

The driver is ready for operation typically 150ms after turning on the supply voltage. The driver error signal PRIM_nERROR_OUT is operational after this time. Without any error present, the error signal will be reset.

To assure a high level of system safety the TOP and BOT signal inputs should stay in a defined state (OFF state, LOW) during driver turn-on time. Only after the end of the power-on-reset, IGBT switching operation shall be permitted.

Under Voltage Protection of driver power supply (UVP)

The internally detected supply voltage of the driver has an under voltage protection. The table below gives an overview of the trip level.

Supply voltage	UVP level
Regulated +15V ±4%	13,5V

If the internally detected supply voltage of the driver falls below this level, the IGBTs will be switched off (IGBT driving signals set to LOW). The input side switching signals of the driver will be ignored. The error memory will be set, and the output PRIM_nERROR_OUT changes to the HIGH state.

Input Signals

The signal transfer to each IGBT is made with pulse transformers, used for switching on and switching off of the IGBT. The inputs have a Schmitt Trigger characteristic and a positive / active high logic (input HIGH = IGBT on; input LOW = IGBT off). It is mandatory to use circuits which switch active to +15V and 0V. Pull up and open collector output stages must not be used for TOP / BOT control signals. It is recommended choosing the line drivers according to the demanded length of the signal lines.

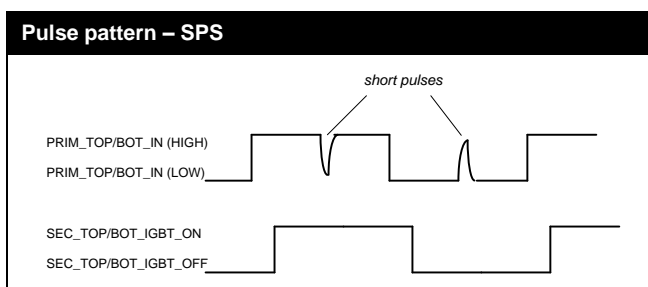
Please note:

It is not permitted to apply switching pulses shorter than 1µs

TOP / BOT Input	
<p style="text-align: center;">User Side</p> <p>PRIM_TOP_IN — INPUT TOP</p> <p>PRIM_BOT_IN — INPUT BOT</p> <p>C 1nF C 1nF</p> <p>PRIM_PWR_GND — GND</p> <p>PRIM_PWR_GND — GND</p>	<p>A capacitor is connected to the input to obtain high noise immunity. This capacitor can cause for current limited line drivers a little delay of few ns, which can be neglected. The capacitors have to be placed as close as possible to the driver interface.</p>

Short Pulse Suppression (SPS)

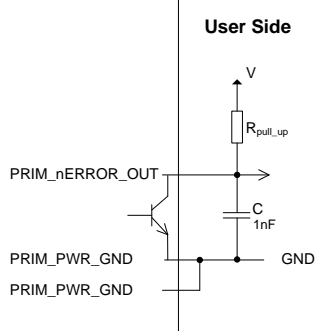
This circuit suppresses short turn-on and off-pulses of incoming signals. This way the IGBTs are protected against spurious noise as they can occur due to bursts on the signal lines. Pulses shorter than 625ns are suppressed and all pulses longer than 750ns get through for 100% probability. Pulses with a length in-between 625ns and 750ns can be either suppressed or get through.



Failure Management

Any error detected will set the error latch and force the output PRIM_nERROR_OUT into HIGH state. Switching pulses from the controller will be ignored. Connected and switched off IGBTs remain turned off. The switched off IGBTs remain turned off. A reset of the latched error memory is only possible if no failure is present anymore and if the TOP and BOT input signals are set to the LOW level for a period of $t_{pERRRRESET} > 9\mu s$.

The output PRIM_nERROR_OUT is an open collector output. For the error evaluation an external pull-up-resistor is necessary pulled-up to the positive operation voltage of the control logic (LOW signal = no error present, wire break safety is assured).

Open collector error transistor	Application hints
	<p>An external resistor to the controller logic high level is required. The resistor has to be in the range of $V / I_{max} < R_{pull_up} < 10k\Omega$.</p> <p>PRIM_nERROR_OUT can operate to maximum 30V and can switch a maximum of 15mA.</p> <p>Example: For $V = +15V$ the needed resistor should be in the range $R_{pull_up} = (15V/15mA) \dots 10k\Omega \Rightarrow 1k\Omega \dots 10k\Omega$.</p>

Please note:

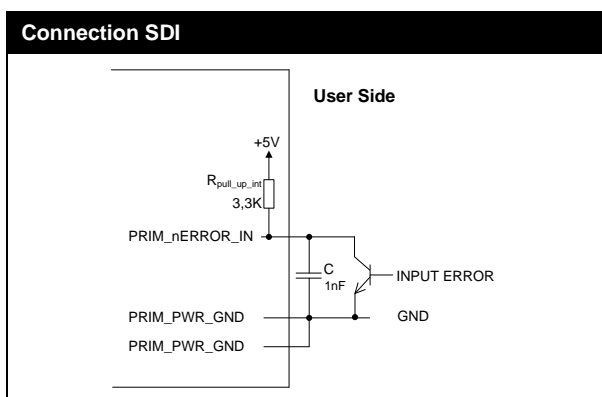
The error output PRIM_ERROR_OUT is not short circuit

Shut Down Input (SDI)

The shut down input / error input signal can gather error signals of other hardware components for switching off the IGBT (input HIGH = no turn-off; input LOW = turn-off).

A LOW signal at PRIM_nERROR_IN will set the error latch and force the output PRIM_nERROR_OUT into HIGH state. Switching pulses from the controller will be ignored. A reset of the latched error memory is only possible if no LOW signal at PRIM_nERROR_IN is present anymore and if the TOP and BOT input signals are set to the LOW level for a period of $t_{pERRRRESET} > 9\mu s$.

The SDI function can be disabled by no connection or connecting to 5V.



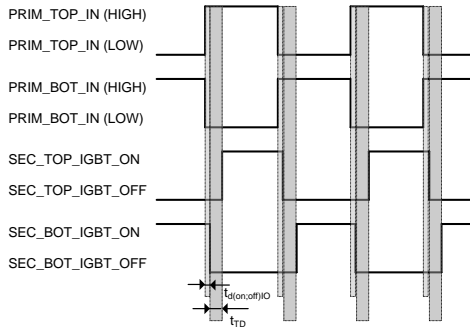
Dead Time generation (Interlock TOP / BOT) (DT)

The DT circuit prevents, that TOP and BOT IGBT of one half bridge are switched on at the same time (shoot through). The dead time is not added to a dead time given by the controller. Thus the total dead time is the maximum of "built in dead time" and "controller dead time". It is possible to control the driver with one switching signal and its inverted signal.

Please note:

The generated dead time is fixed and cannot be

Pulse pattern – DT



- The total propagation delay of the driver is the sum of interlock dead time (t_{TD}) and driver input output signal propagation delay ($t_{d(on,off)IO}$) as shown in the pulse pattern. Moreover the switching time of the IGBT chip has to be taken into account (not shown in the pulse pattern).
- In case both channel inputs (PRIM_TOP_IN and PRIM_BOT_IN) are at high level, the IGBTs will be turned off.
- If only one channel is switching, there will be no interlock dead time.

Please note:

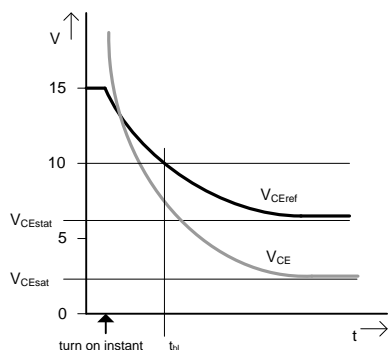
No error message will be generated when overlap of switching signals occurs

Dynamic Short Circuit Protection by V_{CEsat} monitoring / de-saturation monitoring (DSCP)

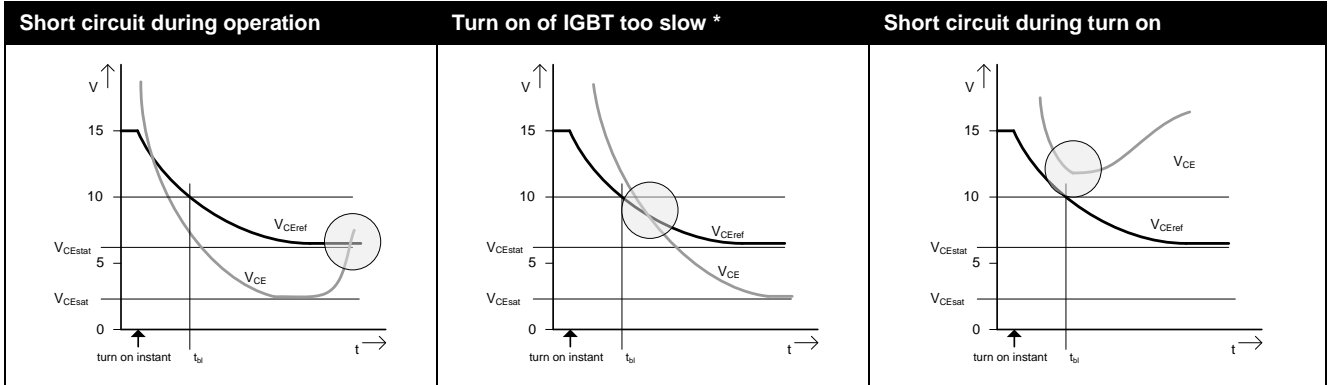
The DSCP circuit is responsible for short circuit sensing. It monitors the collector-emitter voltage V_{CE} of the IGBT during its on-state. Due to the direct measurement of V_{CEsat} on the IGBT's collector, the DSCP circuit switches off the IGBTs and an error is indicated.

The reference voltage V_{CEref} may dynamically be adapted to the IGBTs switching behaviour. Immediately after turn-on of the IGBT, a higher value is effective than in steady state. This value will, however, be reset, when the IGBT is turned off. V_{CEstat} is the steady-state value of V_{CEref} and is adjusted to the required maximum value for each IGBT by an external resistor R_{CE} . It may not exceed 10V. The time constant for the delay (exponential shape) of V_{CEref} may be controlled by an external capacitor C_{CE} , which is connected in parallel to R_{CE} . It controls the blanking time t_{bl} which passes after turn-on of the IGBT before the V_{CEsat} monitoring is activated. This makes an adaptation to any IGBT switching behaviour possible.

Reference Voltage (V_{CEref}) Characteristic



After t_{bl} has passed, the V_{CE} monitoring will be triggered as soon as $V_{CE} > V_{CEref}$ and will turn off the IGBT. The error memory will be set, and the output PRIM_nERROR_OUT changes to the HIGH state. Possible failure modes are shown in the following pictures.



* or adjusted blanking time too short

Adjustment of DSCP

The external components R_{CE} and C_{CE} are applied for adjusting the steady-state threshold the blanking time.

Connection R_{CE} and C_{CE}	Dimensioning of R_{CE} and C_{CE}
	$R_{CE} [k\Omega] = -17k\Omega \cdot \ln \left(1 - \frac{V_{CEstat} + R_{VCE} \cdot \frac{V}{k\Omega}}{8,5V} \right)$ $C_{CE} [pF] = \frac{t_{bl} [\mu s] - 2,5\mu s - 0,11 \frac{\mu s}{k\Omega} \cdot R_{CE}}{0,00323 \frac{\mu s}{pF}}$ <p> V_{CEstat}: Collector-emitter threshold static monitoring voltage t_{bl}: Blanking time </p> <p> $V_{CEstat_max} = 8V$ ($R_{VCE} = 0\Omega$) $V_{CEstat_max} = 7V$ ($R_{VCE} = 1k\Omega$) </p> <p>Please Note: The equations are calculated considering the use of high voltage diode BY203/20S. The calculated values V_{CEstat} and t_{bl} are typical values at room temperature. These values can and do vary in the application (e.g. tolerances of used high voltage diode, resistor R_{CE}, capacitor C_{CE}). The DSCP function is not recommended for over current protection.</p>

Application hints

If the DSCP function is not used, for example during the experimental phase, SEC_TOP_VCE_IN must be connected with SEC_TOP_GND for disabling SCP @ TOP side and SEC_BOT_VCE_IN must be connected with SEC_BOT_GND for disabling SCP @ BOT side.

High Voltage Diode for DSCP

The high voltage diode blocks the high voltage during IGBT off state. The connection of this diode between driver and IGBT is shown in the following schematic.

Connection High Voltage Diode	Characteristics
	<ul style="list-style-type: none"> Reverse blocking voltage of the diode shall be higher than the used IGBT. Reverse recovery time of the fast diode shall be lower than V_{CE} rising of the used IGBT. Forward voltage of the diode: 1,5V @ 2mA forward current ($T_j=25^\circ\text{C}$). <p>A collector series resistance R_{VCE} (1kΩ / 0,4W) must be connected for 1700V IGBT operation.</p>

Gate resistors

The output transistors of the driver are MOSFETs. The sources of the MOSFETs are separately connected to external terminals in order to provide setting of the turn-on and turn-off speed of each IGBT by the external resistors R_{Gon} and R_{Goff} . As an IGBT has input capacitance (varying during switching time) which must be charged and discharged, both resistors will dictate what time must be taken to do this. The final value of the resistance is difficult to predict, because it depends on many parameters as DC link voltage, stray inductance of the circuit, switching frequency and type of IGBT.

Connection R_{Gon} , R_{Goff}	Application Hints
	<p>The gate resistor influences the switching time, switching losses, dv/dt behaviour, etc. and has to be selected very carefully. Due to this influence a general value for the gate resistors cannot be recommended. The gate resistor has to be optimized according to switching behaviour and over voltage peaks within the specific circuitry.</p> <p>By increasing R_{Gon} the turn-on speed will decrease. The reverse peak current of the free-wheeling diode will diminish.</p> <p>By increasing R_{Goff} the turn-off speed of the IGBT will decrease. The inductive peak over voltage during turn-off will diminish.</p> <p>In order to ensure locking of the IGBT even when the driver supply voltage is turned off, a resistance (R_{GE}) has to be integrated.</p>

Please note:

Do not connect the terminals SEC_TOP_IGBT_ON with SEC_TOP_IGBT_OFF and SEC_BOT_IGBT_ON with SEC_BOT_IGBT_OFF, respectively.

External Boost Capacitors (BC)

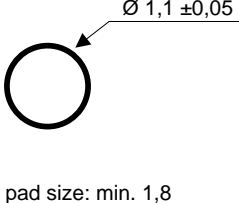
The rated gate charge of the driver may be increase by additional boost capacitors to drive IGBT with large gate capacitance.

Connection External Boost Capacitors	Dimensioning of C_{boost}
	<ul style="list-style-type: none"> $C_{boost15P} [\mu F] = Q_{GE} [\mu C] \times 1/V - 2,2\mu F$ $C_{boost8N} [\mu F] = Q_{GE} [\mu C] \times 2/V - 4,7\mu F$ Q_{GE}: Gate charge of the IGBT @ $V_{GE} = -7 \dots +15V$ Minimum rated voltage $C_{boost15P}$: 25V Minimum rated voltage $C_{boost8N}$: 16V Type of capacitor: ceramic capacitor <p>Please consider the maximum rating four output charge per pulse of the gate driver.</p>
Application Hints	
<p>The external boost capacitors should be connected as close as possible to the gate driver and to have low inductance.</p>	

Application Example

Connection Schematic
<ul style="list-style-type: none"> - application example for 1200V IGBT - $Q_{out/pulse} = 5\mu C$ - $V_{CRef} = 5,5V$ - $t_{bl} = 5,5\mu s$

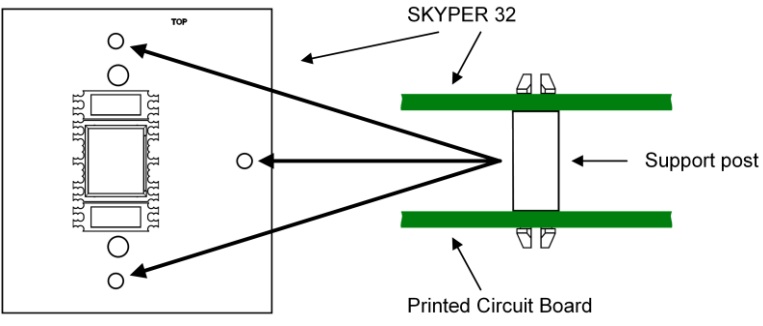
Mounting Notes

Soldering Hints	Finished Hole & Pad Size in mm
<p>The temperature of the solder must not exceed 260°C, and solder time must not exceed 10 seconds.</p> <p>The ambient temperature must not exceed the specified maximum storage temperature of the driver.</p> <p>The solder joints should be in accordance to IPC A 610 Revision D (or later) - Class 3 (Acceptability of Electronic Assemblies) to ensure an optimal connection between driver core and printed circuit board.</p>	 <p>pad size: min. 1,8</p>

Please note:

The driver is not suited for hot air reflow or infrared reflow processes.

The connection between driver core and printed circuit board should be mechanical reinforced by using support posts.

Use of Support Posts	
	<p>Product information of suitable support posts and distributor contact information is available at e.g. http://www.richco-inc.com (e.g. series DLMSPM, LCBST).</p> <p>When using the support posts the support post length has to be longer than 12,4mm.</p>

Please note:

The use of aggressive materials in cleaning and potting process of driver core may be detrimental for the device parameters. If the driver core is coated b

Environmental Conditions

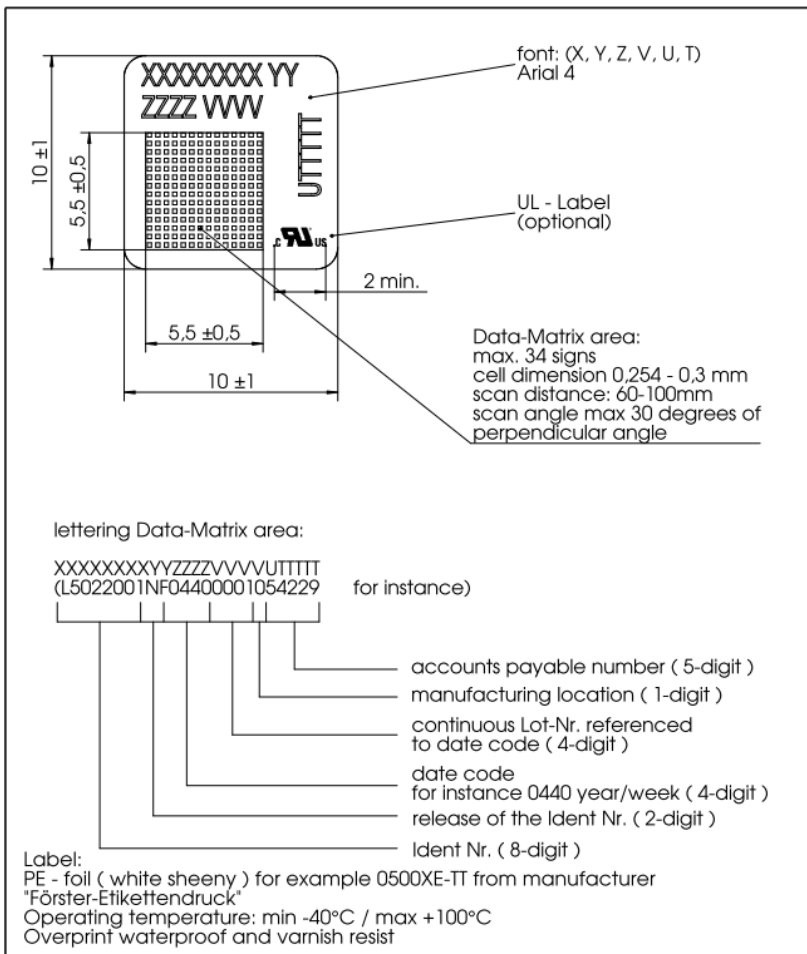
The driver core is type tested under the environmental conditions below.

Conditions	Values (max.)
Vibration	Sinusoidal sweep 20Hz ... 500Hz, 5g, 26 sweeps per axis (x, y, z) - Tested acc. IEC 68-2-6 - Connection between driver core and printed circuit board mechanical reinforced by using support posts.
Shock	Half-sinusoidal pulse, 5g, shock width 18ms, 3 shocks in each direction ($\pm x$, $\pm y$, $\pm z$), 18 shocks in total - Tested acc. IEC 68-2-27 - Connection between driver core and printed circuit board mechanical reinforced by using support posts.

The characteristics and further environmental conditions are indicated in the data sheet.

Marking

Every driver core is marked. The marking contains the following items.



DISCLAIMER

SEMIKRON reserves the right to make changes without further notice herein to improve reliability, function or design. Information furnished in this document is believed to be accurate and reliable. However, no representation or warranty is given and no liability is assumed with respect to the accuracy or use of such information. SEMIKRON does not assume any liability arising out of the application or use of any product or circuit described herein. Furthermore, this technical information may not be considered as an assurance of component characteristics. No warranty or guarantee expressed or implied is made regarding delivery, performance or suitability. This document supersedes and replaces all information previously supplied and may be superseded by updates without further notice.

SEMIKRON products are not authorized for use in life support appliances and systems without the express written approval by SEMIKRON.