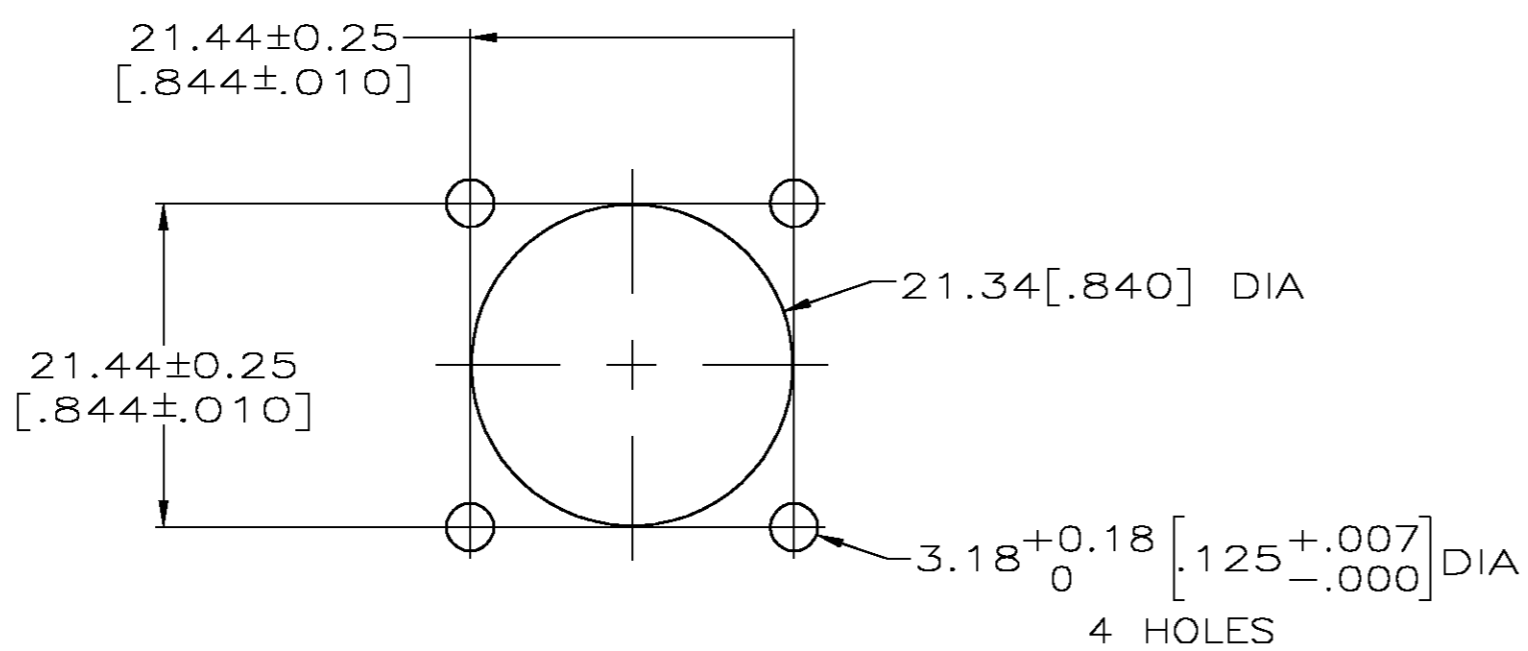
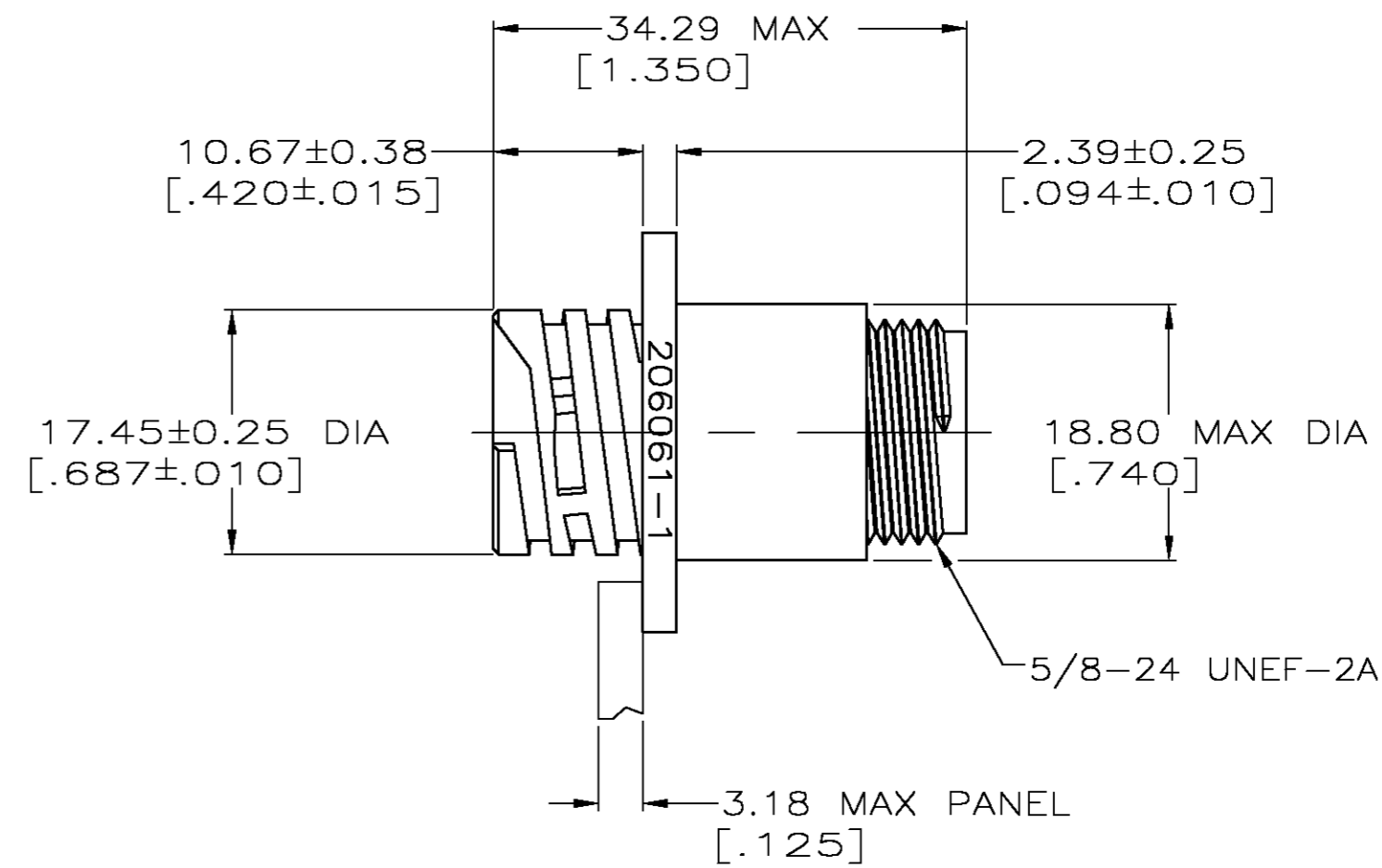
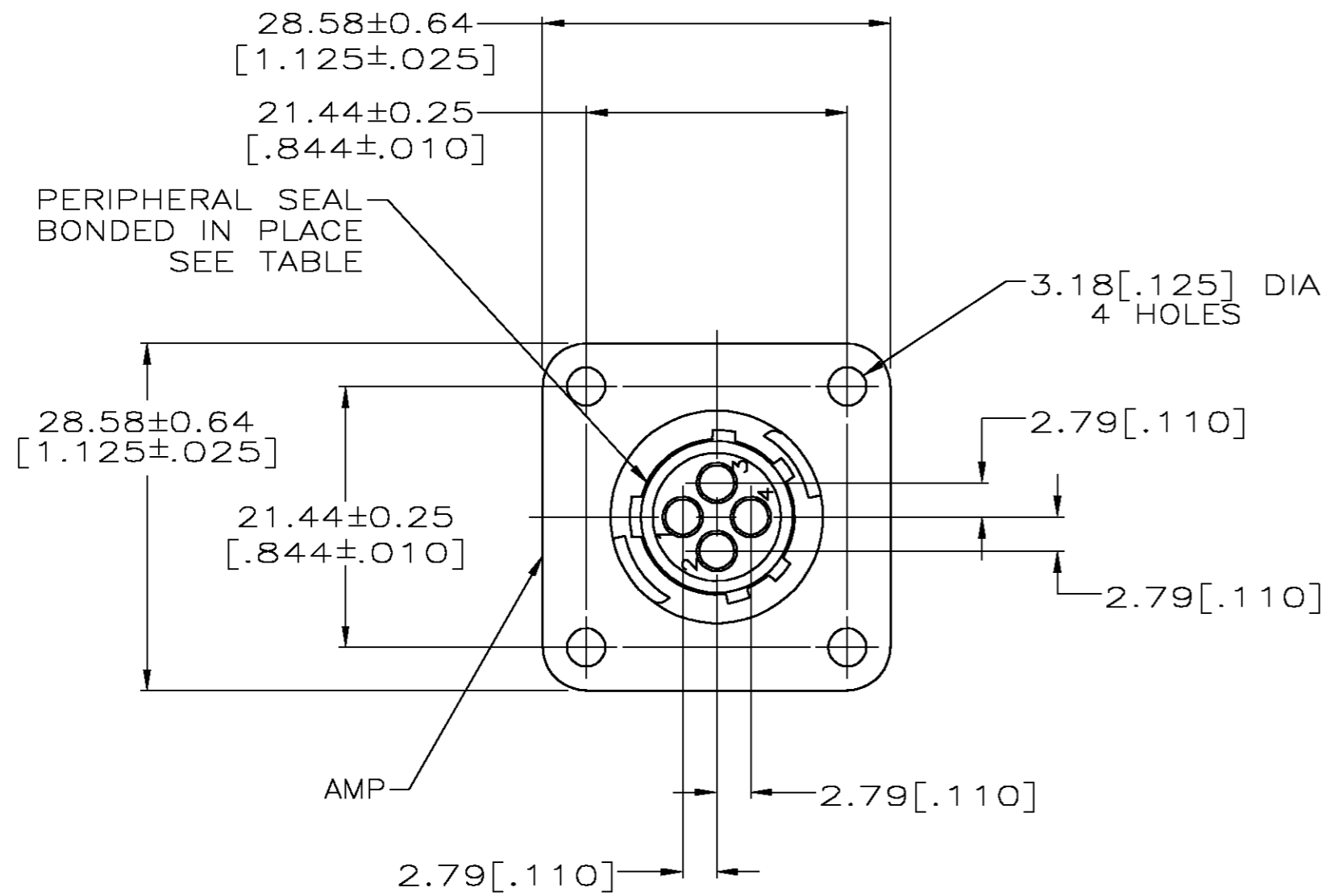
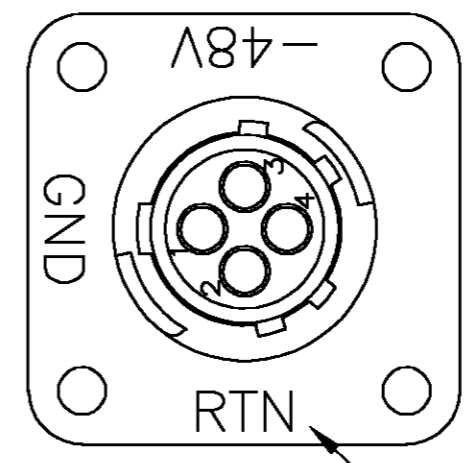


THIS DRAWING IS UNPUBLISHED. RELEASED FOR PUBLICATION
 © COPYRIGHT BY TYCO ELECTRONICS CORPORATION. ALL RIGHTS RESERVED.

LOC		DIST		REVISIONS			
P	LTR	DESCRIPTION	DATE	DWN	APVD		
FT	0	F	REVISED PER 0G3B-0765-04	9/8/04	SS	SH	



RECOMMENDED PANEL CUTOUT



DETAIL A -5 ONLY
 RTN, GND AND -48V MARKED WITH WHITE INK, .118 MAX.

DETAIL A	STANDARD	NO	206061-5
-	SMALL PACK	NO	206061-3
-	STANDARD	YES	206061-2
-	STANDARD	NO	206061-1
MARKING	PACKAGING	PERIPHERAL SEAL	PART NO.

- NOTES:
1. CAVITY IDENTIFICATION ON FRONT AND REAR FACE.
 2. WILL ACCEPT FOUR (4) MULTIMATE PIN CONTACTS.

THIS DRAWING IS A CONTROLLED DOCUMENT.		DWN 07/26/93 D.GELTZ	Tyco Electronics Corporation Harrisburg, Pa 17105-3608	
DIMENSIONS: INCHES		CHK 08/11/93 R.STONE	NAME	
TOLERANCES UNLESS OTHERWISE SPECIFIED:		APVD -	RECEPTACLE HOUSING, STANDARD SEX, SHELL SIZE 11, CPC	
0 PLC ± -	1 PLC ± -	PRODUCT SPEC 108-10024	SIZE A2	CAGE CODE 00779
2 PLC ± 0.13 [.005]	3 PLC ± -	APPLICATION SPEC -	DRAWING NO C=206061	RESTRICTED TO -
4 PLC ± -	ANGLES ± -	MATERIAL NYLON, BLACK	SCALE 2:1	SHEET 1 OF 1
FINISH -	WEIGHT -	CUSTOMER DRAWING		REV F