

REVISIONS			
REV	DESCRIPTION, ECN, EAR NO.	DATE	APP'D
B	UPDATING COMMON TERMINOLOGY	MAY18/18	A.G.
C	UPDATING PANEL HOLE SIZE	JUN27/18	A.G.

NOTES:

- MATERIAL: ALL MATERIALS ARE RoHS COMPLIANT PER EU DIRECTIVE 2011/65/EU
HOUSING & HEX NUT: THERMOPLASTIC PBT, UL FLAMMABILITY RATING 94V-0, BLACK
CONTACT: COPPER ALLOY PLATED WITH GOLD FLASH OVER NICKEL
DUST CAP: SILICONE RUBBER, BLACK
- ELECTRICAL CHARACTERISTICS:
CURRENT RATING: 5A
OPERATING VOLTAGE: 125V AC MAXIMUM
DIELECTRIC WITHSTANDING VOLTAGE: 1500V DC
CONTACT RESISTANCE: 10.0mΩ MAXIMUM.
- RECOMMENDED PANEL THICKNESS: 2.5 (0.098) TO 3.0 (0.118).
- ENVIRONMENTAL PROTECTION: IP67 PER IEC 60529 IN THE MATED AND UNMATED CONDITION.

ORDERING CODE: MRD - AX03 - L13 - 000

SERIES

CONTACT SIZE & MECHANISM

A=1.0mm & LATCH LOCK

HOUSING ORIENTATION & CONTACT TYPE

H=FEMALE PLASTIC HOUSING & SOCKET CONTACT

J=FEMALE PLASTIC HOUSING & PIN CONTACT

NUMBER OF CONTACTS

03=THREE CONTACTS

SPECIALS

000=STANDARD

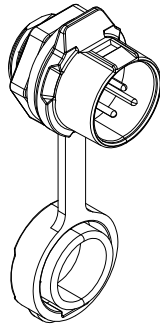
MOUNTING/COVER OPTIONS

3= PANEL MOUNT WITH DUST COVER

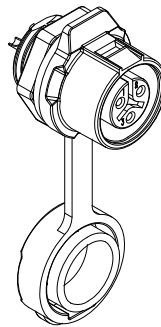
CONTACT TERMINATION TYPE

L1=SOLDER CUP

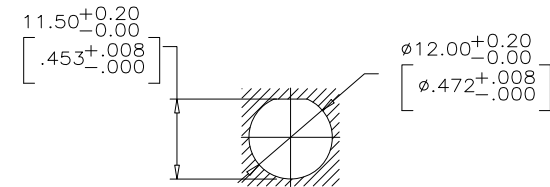
FEMALE WITH PIN CONTACT



FEMALE WITH SOCKET CONTACT



SEE SHEET 2 FOR ADDITIONAL DRAWING VIEWS



RECOMMENDED PANEL HOLE

PART NUMBER TABLE:

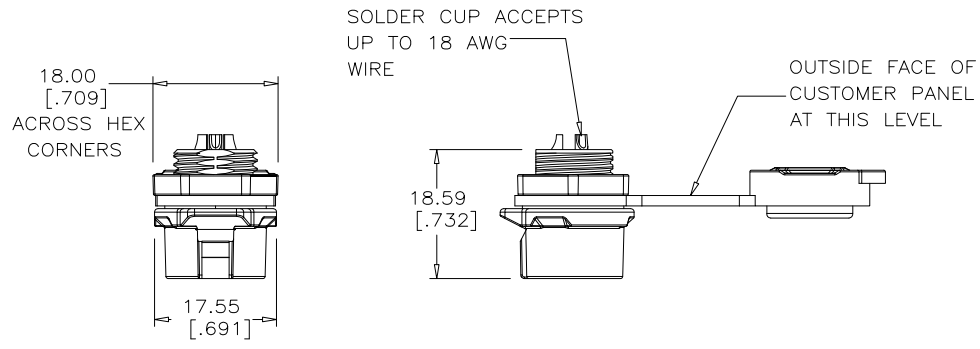
CONNECTOR PART NUMBER	CONTACT TYPE	WIRE GAUGE FOR SOLDER CUP
MRD-AH03-L13-000	SOCKET	20-24 AWG
MRD-AJ03-L13-000	PIN	18 AWG



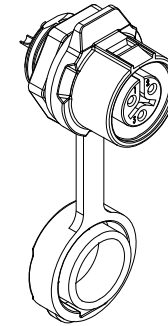
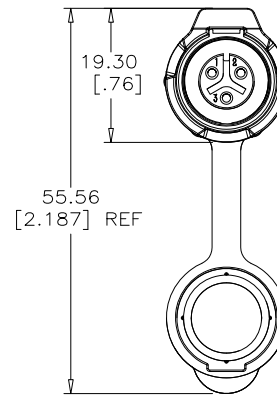
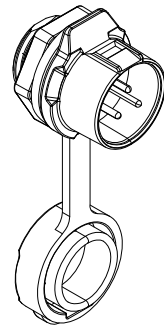
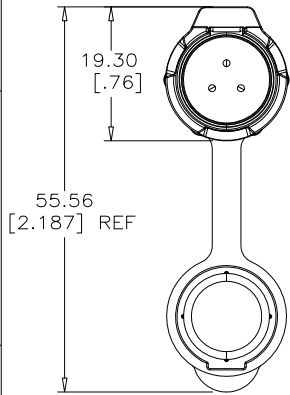
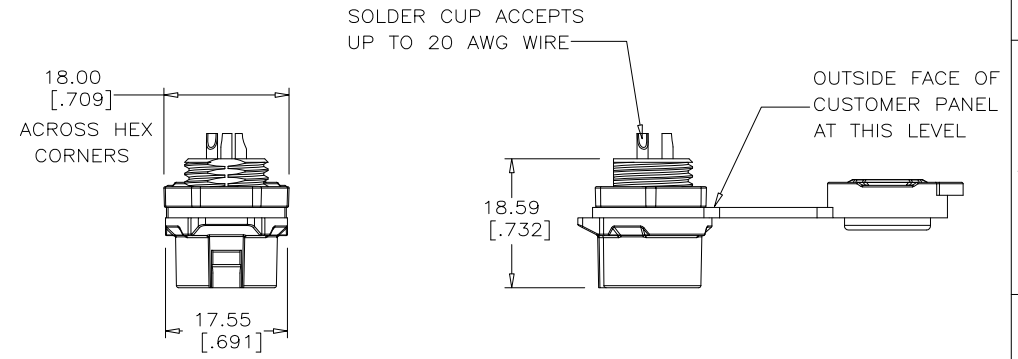
UNLESS SPECIFIED OTHERWISE	DRAWN K.XIONG	MAY09/18	Amphenol Canada Corp. Commercial Products
PRIMARY UNITS MILLIMETERS	CHECKED K.LAMBIE	MAY15/18	
SECONDARY INCHES	M.E. APP'D		MRD SERIES RUGGED CONNECTOR, FEMALE, 3 POSITIONS, LATCH LOCK PANEL MOUNT WITH DUST COVER IP67 RATING, RoHS COMPLIANT
REFERENCE IN PARENTHESES	Q.A. APP'D		
GENERAL TOLERANCES	DWG APP'D A.GREEN	MAY15/18	DWG NO. P-MRD-AX03-L13-000
1 DECIMAL PLACE ±0.25	ENG. REL. NO.		
2 DECIMAL PLACES ±0.15	REF. EAR 14575		REV C
3 DECIMAL PLACES ±0.05	THIRD ANGLE PROJECTION	DO NOT SCALE DRAWING	CODE ID NO. Q3554 DWG SIZE X SCALE XX:1 SHEET 1 OF 2
ANGULAR DEGREES			

REVISIONS			
REV	DESCRIPTION, ECN, EAR NO.	DATE	APP'D
B	UPDATING COMMON TERMINOLOGY	MAY18/18	A.G.
C	UPDATING PANEL HOLE SIZE	JUN27/18	A.G.

FEMALE WITH PIN CONTACT



FEMALE WITH SOCKET CONTACT



UNLESS SPECIFIED OTHERWISE	DRAWN	K.XIONG	MAY09/18
PRIMARY UNITS MILLIMETERS	CHECKED	K.LAMBIE	MAY15/18
SECONDARY INCHES	M.E. APP'D		
REFERENCE IN PARENTHESSES	Q.A. APP'D		
GENERAL TOLERANCES	DWG APP'D	A.GREEN	MAY15/18
1 DECIMAL PLACE ±0.25	ENG. REL. NO.		
2 DECIMAL PLACES ±0.15	REF.	EAR 14575	
3 DECIMAL PLACES ±0.05	THIRD ANGLE PROJECTION		DO NOT SCALE DRAWING
ANGULAR DEGREES			

Amphenol Canada Corp. Commercial Products			
MRD SERIES RUGGED CONNECTOR, FEMALE, 3 POSITIONS, LATCH LOCK PANEL MOUNT WITH DUST COVER IP67 RATING, RoHS COMPLIANT			
DWG NO.	P-MRD-AX03-L13-000		REV C
CODE ID NO. 03554	DWG SIZE X	SCALE XX:1	SHEET 2 OF 2

THIS DOCUMENT CONTAINS PROPRIETARY INFORMATION AND SUCH INFORMATION MAY NOT BE DISCLOSED TO OTHERS FOR ANY PURPOSE OR USED FOR MANUFACTURING PURPOSES WITHOUT WRITTEN PERMISSION FROM AMPHENOL CANADA CORP.