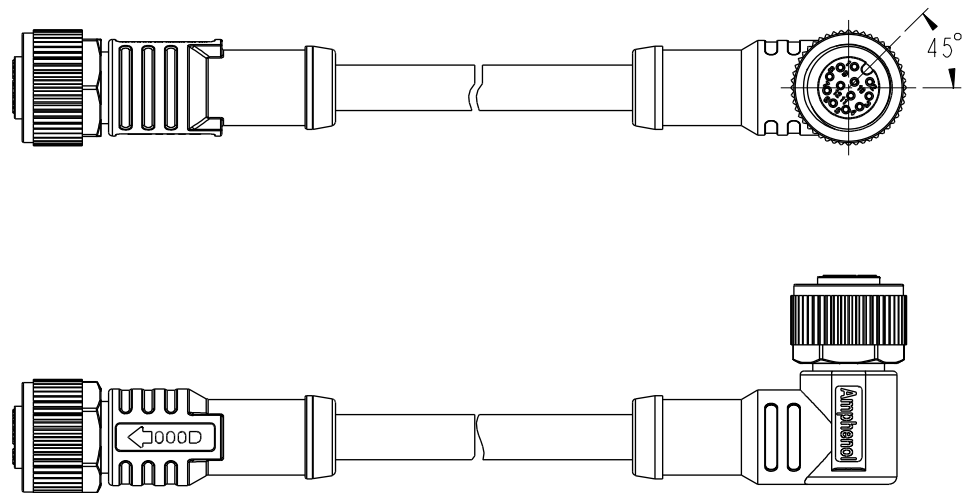
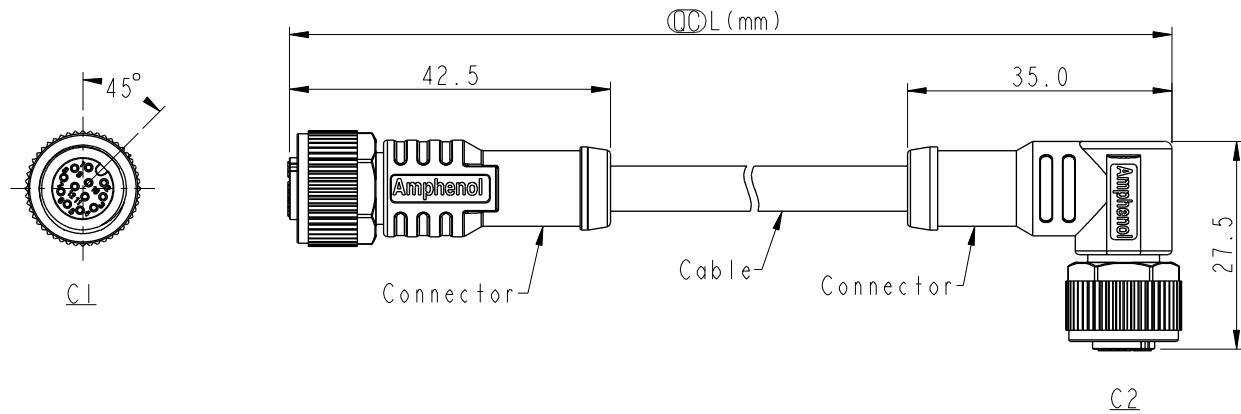


REV.	DESCRIPTION



Notes:

- * \varnothing Important Dimension.
- * Waterproof Rate: IP68, IP69K.
- * Connector: PU+GF, Black.
- * Pin: Copper Alloy, Gold Plated.
- * Screw Nut: Zinc Alloy, Nickel Plated.
- * Outer Mold: PU, Black.
- * Cable: (B) UL20549, PUR Jacket, Black.
(D) UL2517, PVC Jacket, Black.
- * Rated Voltage: 3 & 4Pin 250V dc. or ac.
5Pin 60V dc. or ac.
6~12Pin 30V dc. or ac.
- * Rated Current: 3~5Pin 4A
6~8Pin 2A
10~12Pin 1.5A
- * Cable Length Tolerance: 0.5±20mm
01±40mm
02M~05M:±60mm
06M~10M:±100mm
11M~30M:±200mm
31M~99M:±500mm

UNIT:mm		TITLE
TOLERANCE	$\pm 0.5 \text{ mm}$	M12 A-Code Double Ended
SCALE	1:2	SIZE A4
REV.	A	SHEET 1 OF 3
WC-REV.	A.1	\varnothing : Inspection item

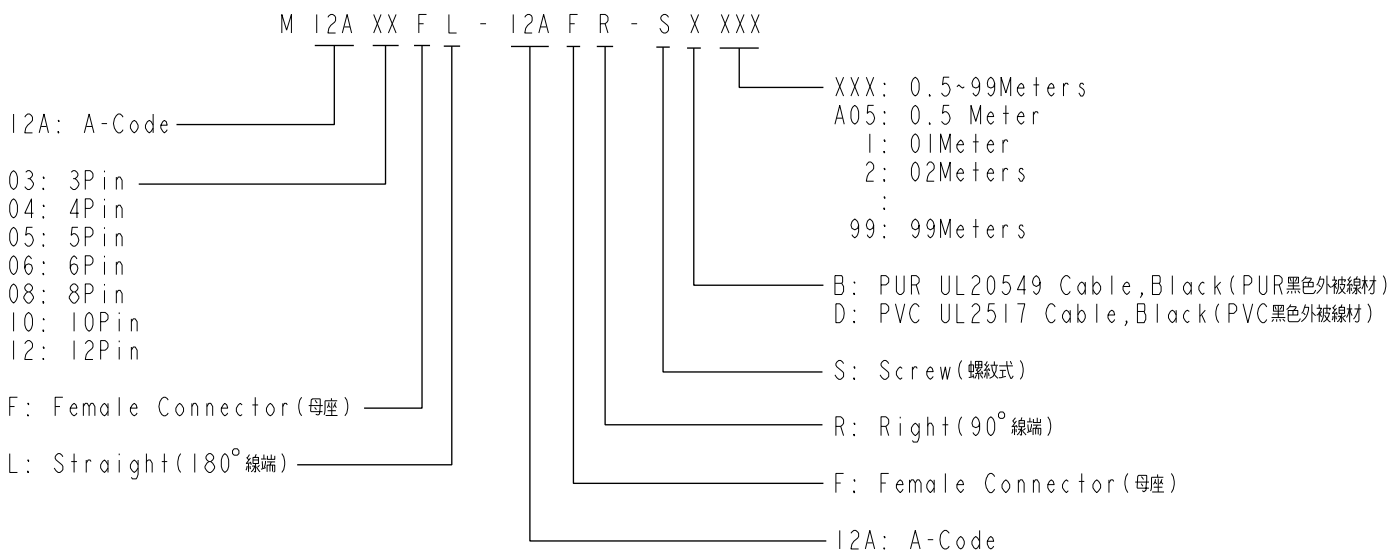
Amphenol LTW
安費諾亮泰企業股份有限公司

ITEM NO	DRAWN BY	DATE
DWG NO	CHECKED BY	DATE
CUSTOMER	APPROVED BY	DATE
ALTW	Ruru	2018-12-04
	Rita	2018-12-04
	Max	2018-12-04

THIS DOCUMENT IS SUBJECT TO CHANGE WITHOUT NOTICE. IT IS CONFIDENTIAL AND A PROPERTY OF Amphenol LTW. DISCLOSURE TO THIRD PARTY HAS TO BE AUTHORIZED BY Amphenol LTW.

THIS DOCUMENT IS SUBJECT TO CHANGE WITHOUT NOTICE. IT IS CONFIDENTIAL AND A PROPERTY OF Amphenol LTW. DISCLOSURE TO THIRD PARTY HAS TO BE AUTHORIZED BY Amphenol LTW.

12P	PVC	6.0	26	MI2A12FL-12AFR-SDXXX
10P		5.5	24	MI2A10FL-12AFR-SDXXX
8P				MI2A08FL-12AFR-SDXXX
6P				MI2A06FL-12AFR-SDXXX
5P		5.1	22	MI2A05FL-12AFR-SDXXX
4P		4.8		MI2A04FL-12AFR-SDXXX
3P	4.5	MI2A03FL-12AFR-SDXXX		
12P	PUR	6.0	26	MI2A12FL-12AFR-SBXXX
10P		4.8	24	MI2A10FL-12AFR-SBXXX
8P				MI2A08FL-12AFR-SBXXX
6P				MI2A06FL-12AFR-SBXXX
5P		4.4	22	MI2A05FL-12AFR-SBXXX
4P		4.0		MI2A04FL-12AFR-SBXXX
3P	3.8	MI2A03FL-12AFR-SBXXX		
Contacts	Cable Jacket	Cable OD	AWG	Item No.



UNIT:mm

TOLERANCE ± 0.5 mm

TITLE MI2 A-Code Double Ended			
SCALE 1:2	SIZE A4	SHEET 2 OF 3	
REV. A	WC-REV. A.1	QC: Inspection item	

Amphenol LTW
安費諾亮泰企業股份有限公司

ITEM NO	DRAWN BY Ruru	DATE 2018-12-04
DWG NO MI2AXXFL-12AFR-SXXXX	CHECKED BY Rita	DATE 2018-12-04
CUSTOMER ALTW	APPROVED BY Max	DATE 2018-12-04

