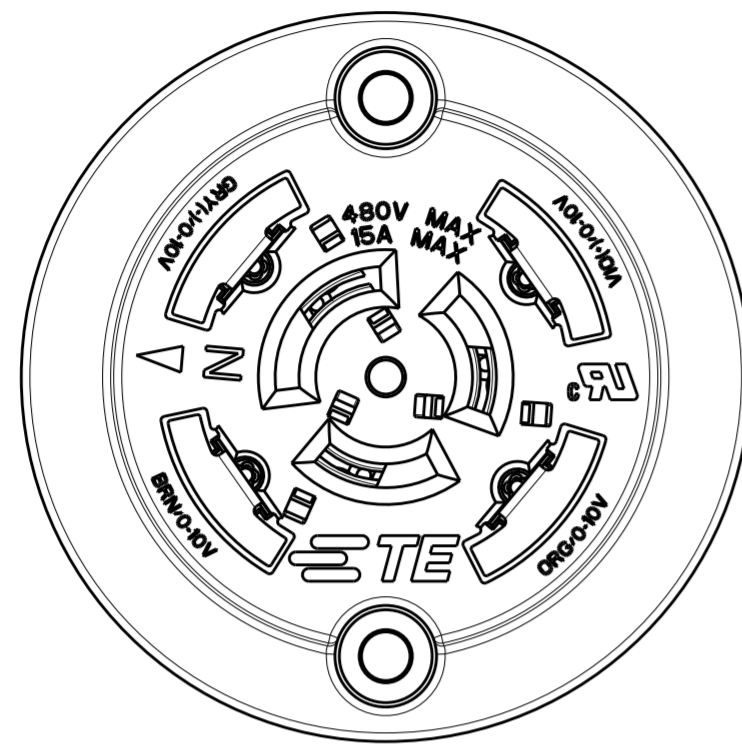


THIS DRAWING IS UNPUBLISHED. RELEASED FOR PUBLICATION 20
 © COPYRIGHT 20 BY - ALL RIGHTS RESERVED.

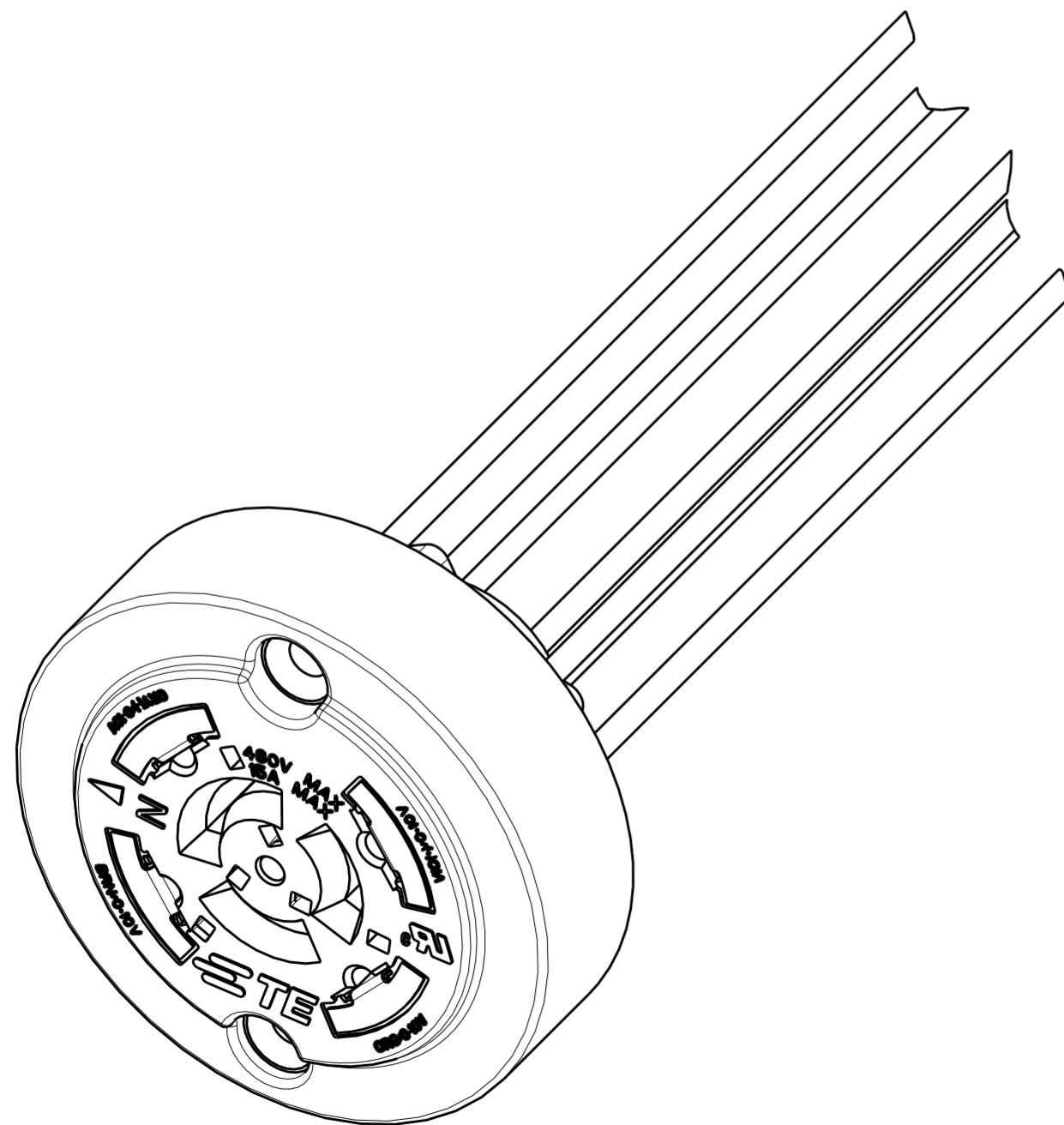
NOTES:

1. MATERIALS:
 HOUSING: GLASS-FILLED THERMOPLASTIC, UL 94V-0 RATED DIMMING CONTACTS (2 OR 4) AND LINE VOLTAGE CONTACTS (3): COPPER ALLOY
2. FINISH:
 DIMMING CONTACTS (2 OR 4): NICKEL UNDERPLATE ENTIRE CONTACT 0.127 µm MIN THICK. GOLD PLATE CONTACT PAD AREA (MATING FACE SIDE ONLY) 0.76 µm MIN THICK. MATTE TIN PLATE TAB ON BOTH SIDES 0.30 µm MIN THICK. LINE VOLTAGE CONTACTS (3): TIN PLATE.
3. LINE VOLTAGE CONDUCTORS (3):
 14 AWG, 600V, 150°C RATED, COPPER 41/30 STRANDED PER UL STYLE AWM 3321.
4. MATING INTERFACE PER ANSI C136.41-2013.
5. OPTIONAL DIMMING CONTACTS (2) SUPPLIED.
6. DIMMING CONDUCTORS (2 OR 4):
 18 AWG, 600V, 150°C RATED, 16/30 STRANDED, PER UL STYLE AWM 3321.
7. LINE VOLTAGE CONDUCTORS (3):
 14 AWG, 600V, 105°C RATED, COPPER 41/30 STRANDED. PER UL STYLE AWM 1015.
8. DIMMING CONDUCTORS (2 OR 4):
 18 AWG, 600V, 105°C RATED, COPPER 16/30 STRANDED. PER UL STYLE AWM 1015.
9. LUBRICATION: GOLD PLATED CONTACT PAD SURFACES OF DIMMING CONTACTS ARE LUBRICATED WITH A TRANSPARENT (NON-VISIBLE) LUBRICANT TO IMPROVE DURABILITY AND PERFORMANCE. AVOID CONTACT WITH THESE SURFACES WHICH MAY RESULT IN REMOVAL OF LUBRICANT.

LOC		DIST		REVISIONS			
P	LTR	DESCRIPTION	DATE	DWN	APVD		
A15		REVISED PER ECR-19-010845	12JUL2019	SR	DD		
A16		REVISED PER ECR-19-011453	25JUL2019	SR	DD		
A17		REVISED PER ECR-19-012481	12AUG2019	DHC	DD		
A18		REVISED PER ECR-19-016247	21OCT2019	SB	DD		



SEE SHEET 2 FOR WIRING COLOR CODE



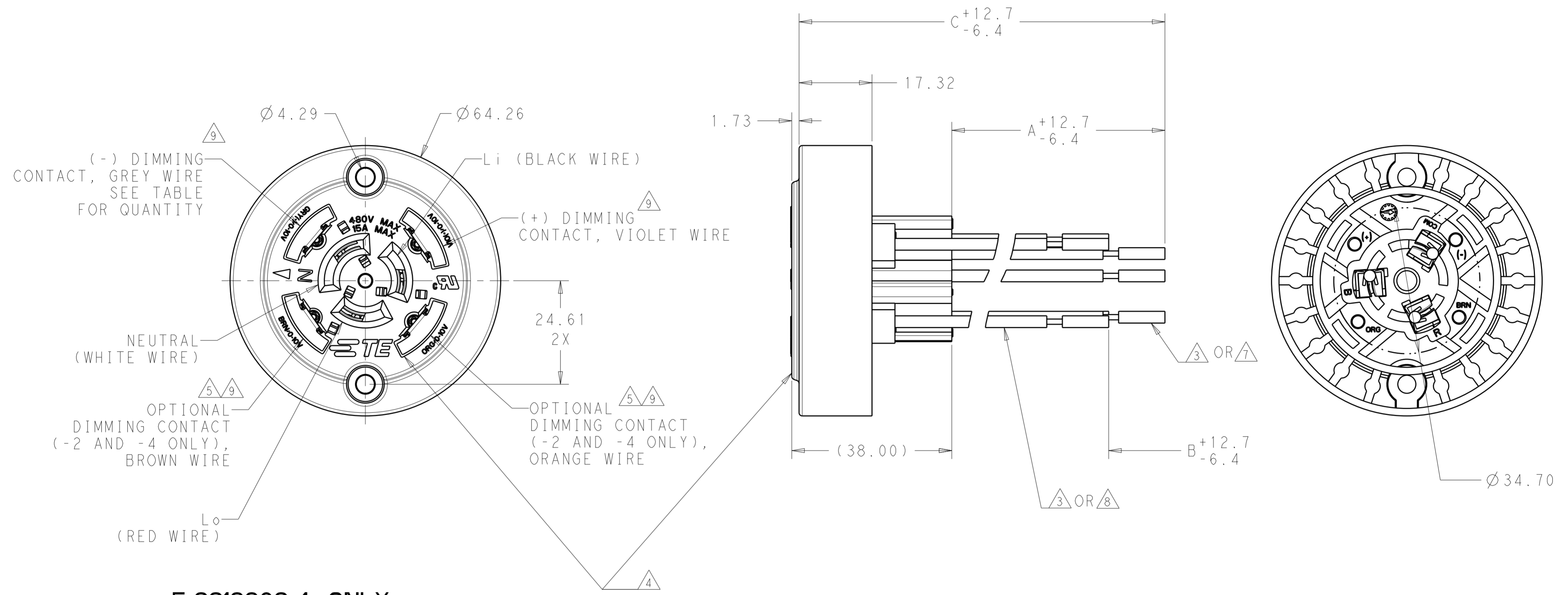
10. PRELIMINARY.
11. FOR PART NUMBER 5-2213362-4 ONLY, STRIP AND REMOVE INSULATION AS SHOWN. LEAD WIRES TO BE SOLDER DIPPED.
12. MUST BE USED WITH EITHER GASKET P/N 2213469-1 OR P/N 2324246-1 (SOLD SEPARATELY).

1036.3	1000	986.5	7 AND 8	4 5	8-2213362-4 10
266.3	230.0	216.5	7 AND 8	4 5	7-2213362-4
236.3	200.0	-	7	-	6-2213362-4 10
341.1	304.8	-	3	-	6-2213362-2
341.1	304.8	-	7	-	6-2213362-1
341.1	304.8	291.3	7 AND 8	4 5	5-2213362-4 11 10
950.7	914.4	914.4	7 AND 8	4 5	4-2213362-4 10
73.0	35.0	35.0	7 AND 8	4 5	3-2213362-4 10
1865.1	1828.8	1815.3	3 AND 6	2	3-2213362-1 10
736.3	700.0	686.5	7 AND 8	4 5	2-2213362-4
696.3	660.0	646.5	3 AND 6	4 5	2-2213362-2 10
696.3	660.0	646.5	3 AND 6	2	2-2213362-1
536.3	500.0	486.5	7 AND 8	4 5	1-2213362-4
536.3	500.0	486.5	7 AND 8	2	1-2213362-3 10
1823.3	1346.0	1332.5	3 AND 6	4 5	1-2213362-2
536.3	500.0	486.5	3 AND 6	2	1-2213362-1 10
341.1	304.8	291.3	7 AND 8	4 5	2213362-4
341.1	304.8	291.3	7 AND 8	2	2213362-3
341.1	304.8	291.3	3 AND 6	4 5	2213362-2
341.1	304.8	291.3	3 AND 6	2	2213362-1
C	A	B	WIRE STYLE	QUANTITY OF DIMMING CONTACTS	PART NO.
OVERALL LENGTH	WIRE LENGTH				

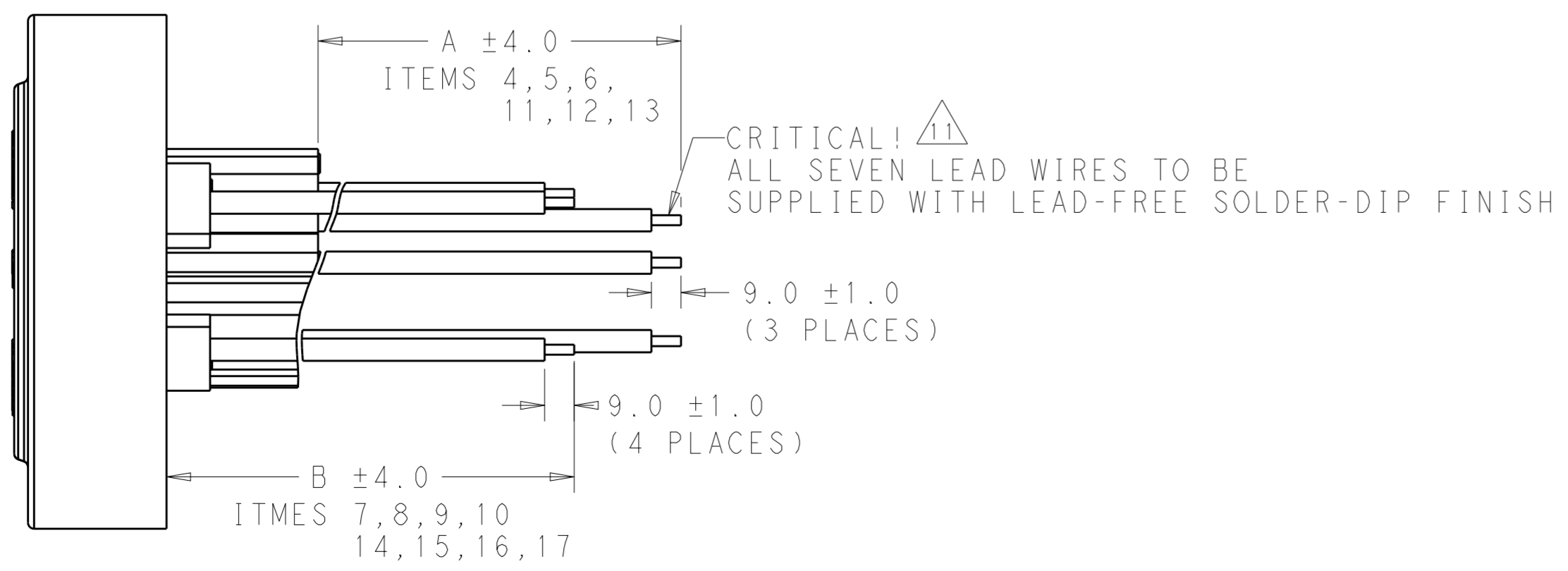
THIS DRAWING IS A CONTROLLED DOCUMENT.		DWN J. SHAFFER 26 JUN 2013	TE Connectivity	
DIMENSIONS: mm		CHK E. HOWARD 26 JUN 2013		
TOLERANCES UNLESS OTHERWISE SPECIFIED:		APVD E. HOWARD 26 JUN 2013	NAME RECEPTACLE ASSEMBLY, DIMMABLE PHOTOCONTROL	
0 PLC ± 1 PLC ± 2 PLC ±0.13 3 PLC ± 4 PLC ±		PRODUCT SPEC 108-32059	SIZE A2	
ANGLES ± FINISH		APPLICATION SPEC 114-32115	CAGE CODE 00779	DRAWING NO C-2213362
MATERIAL		WEIGHT	RESTRICTED TO	
			SCALE 1:1 SHEET 1 OF 2 REV A18	
		CUSTOMER DRAWING		

THIS DRAWING IS UNPUBLISHED. RELEASED FOR PUBLICATION 20
 © COPYRIGHT 20 BY - ALL RIGHTS RESERVED.

LOC		DIST		REVISIONS			
P	LTR	DESCRIPTION	DATE	DWN	APVD		
-	-	SEE SHEET 1	-	-	-		



5-2213362-4 ONLY



THIS DRAWING IS A CONTROLLED DOCUMENT.		DWN J. SHAFFER 26 JUN 2013	TE Connectivity	
DIMENSIONS: mm		CHK E. HOWARD 26 JUN 2013		
TOLERANCES UNLESS OTHERWISE SPECIFIED:		APVD E. HOWARD 26 JUN 2013	NAME RECEPTACLE ASSEMBLY, DIMMABLE PHOTOCONTROL	
0 PLC ±		PRODUCT SPEC 108-32059	SIZE CAGE CODE DRAWING NO RESTRICTED TO	
1 PLC ±		APPLICATION SPEC 114-32115	A200779 C-2213362	
2 PLC ±0.13		WEIGHT -	SCALE 1:1 SHEET 2 OF 2 REV A18	
3 PLC ±		CUSTOMER DRAWING		
4 PLC ±				
ANGLES ±				
FINISH				