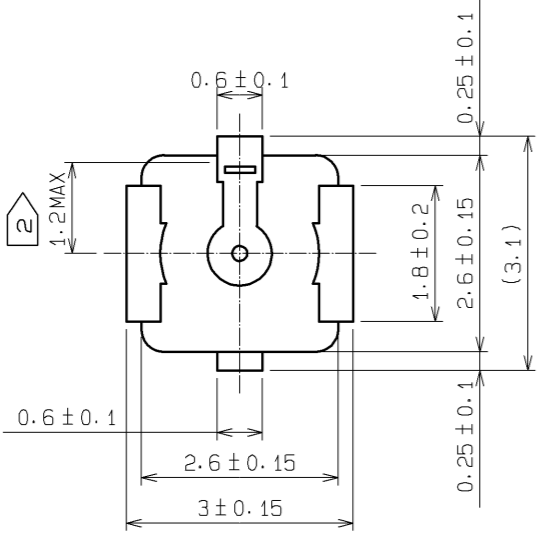
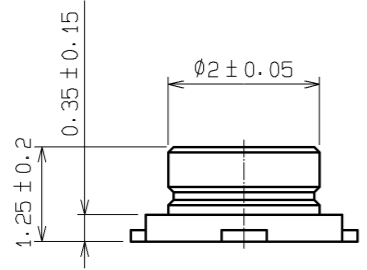
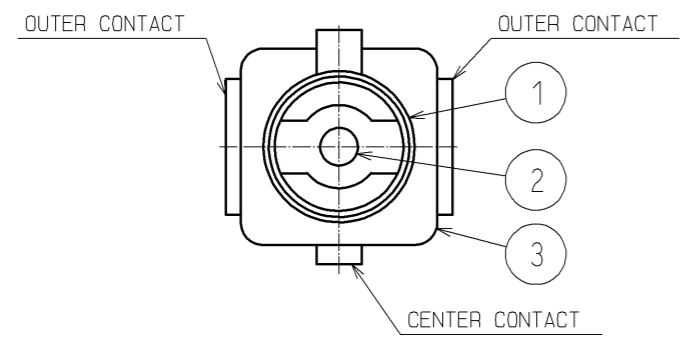
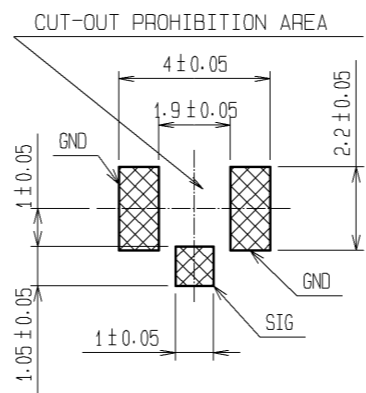


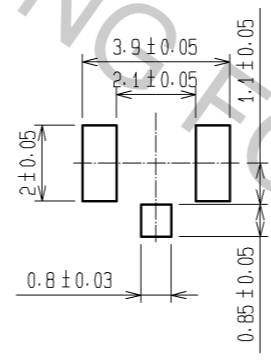
Jul.1.2016 Copyright 2016 HIROSE ELECTRIC CO., LTD. All Rights Reserved.



RECOMMENDED PC BOARD PATTERN DRAWING(5:1)

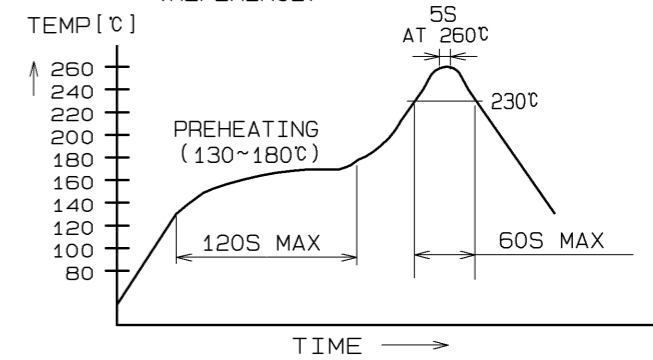


RECOMMENDED METAL MASK DRAWING(5:1)



METAL MASK THICKNESS:0.10 mm

MOUNTING TEMPERATURE PROFILE (REFERENCE)



NOTE

1. MOUNTING TEMPERATURE PROFILE VARIES ACCORDING TO BOARD SIZE, SOLDER TYPE AND SOLDER THICKNESS.
2. UP TO 2 CYCLES OF REFLOW.

NOTES:

- 1: THE QUANTITY OF U.FL-R-SMT-1(01) IS 100 CONNECTORS PER PACK.
- 2: THIS DIMENSION SHOWS THE ALLOWABLE RANGE THAT THE RESIN IS PUT OVER THE CENTER CONTACT.
- 3: LEAD CO-PLANARITY SHALL BE 0.1MAX.
- 4: FOR THE POSSIBILITY OF BREAKAGE OR DEFORMATION, DO NOT MATE THIS CONNECTOR WITH PARTNER, U.FL-LP-*** BEFORE MOUNTING ON PC BOARD.
- 5: USE ALL PRODUCTS WITHIN 6 MONTHS AFTER THE DELIVERY. STORE THEM IN MANUFACTURER'S PACKAGE OR TIGHTLY RE-CLOSED BOX WITH THE FOLLOWING CONDITIONS. CHECK THE TERMINAL SOLDERABILITY BEFORE USE IF THE PRODUCT HAS BEEN STORED FOR MORE THAN 6 MONTHS.

TEMPERATURE: -10°C TO +40°C
HUMIDITY : 15 TO 85% RH.

- 6: ENVIRONMENTAL CONDITIONS DO NOT USE THE PRODUCTS UNDER THE ENVIRONMENTAL CONDITIONS AS SHOWN BELOW DUE TO POSSIBLE PRODUCT DETERIORATION.

SPECIAL GAS ATMOSPHERE(HYDROGEN SULFIDE GAS, SULFUR SULFIDE GAS AND HYDROGEN CHLORIDE GAS)
PLACE ATTENTION REQUIRED: HEATING SYSTEM, AREA NEAR HOT SPRING, VOLCANIC MOUNTAIN AND ALIKE.

WATER SPLACHED AND CONDENSATION PLACES.
PLACE ATTENTION REQUIRED: HARSH TEMPERATURE CHANGE.

RoHS COMPLIANT

2	BRASS	GOLD PLATING			
1	PHOSPHOR BRONZE	SILVER PLATING	3	LCP	(BEIGE), UL94V-0
NO.	MATERIAL	FINISH . REMARKS	NO.	MATERIAL	FINISH . REMARKS
UNITS mm		SCALE 10:1	COUNT △	DESCRIPTION OF REVISIONS	DESIGNED
		APPROVED : MH. YAMANE	11.11.15	DRAWING NO.	EDC3-302540-01
HIROSE ELECTRIC CO., LTD.		CHECKED : NK. NINOMIYA	11.11.14	PART NO.	U.FL-R-SMT-1(01)
		DESIGNED : YI. FUNADA	11.11.10	CODE NO.	CL331-0472-2-01
		DRAWN : YI. FUNADA	11.11.10		△ 1/1