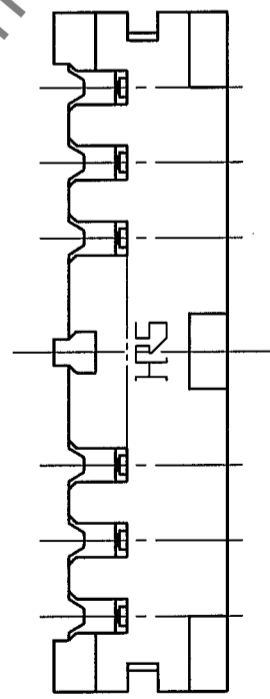
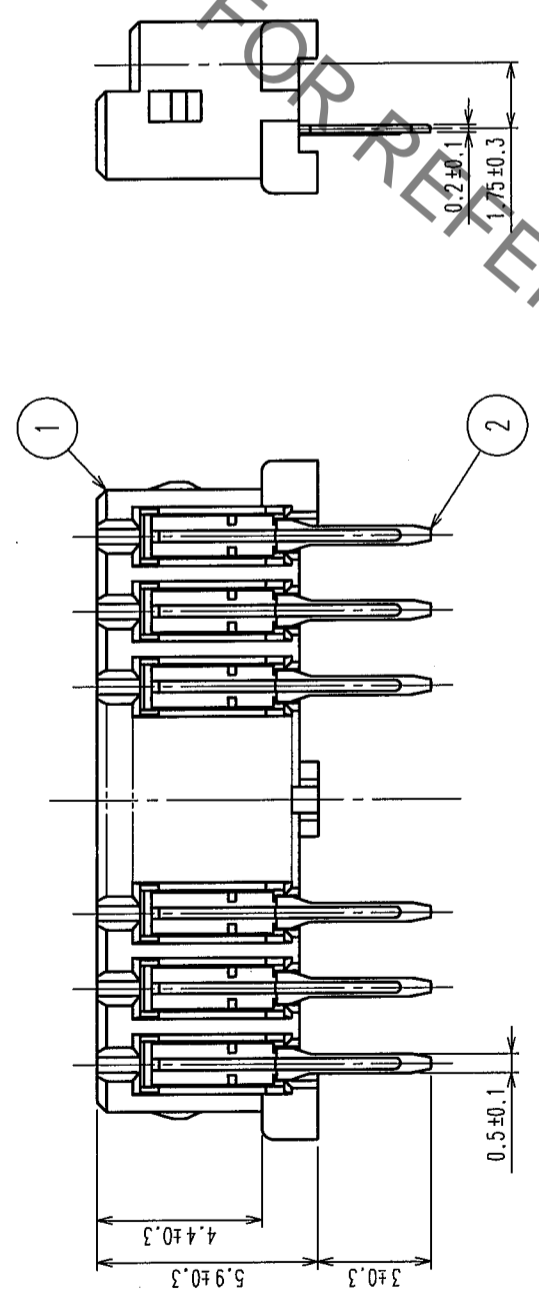
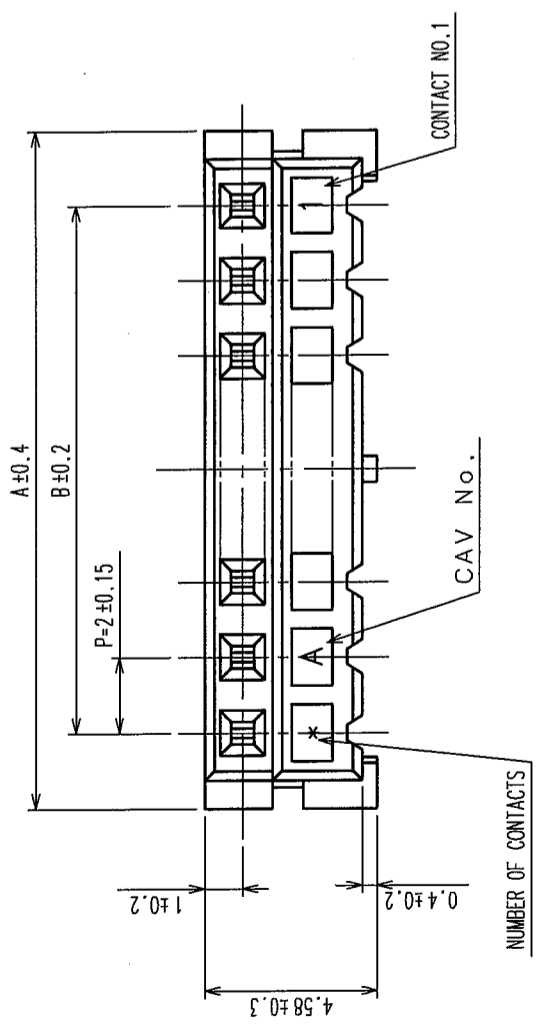


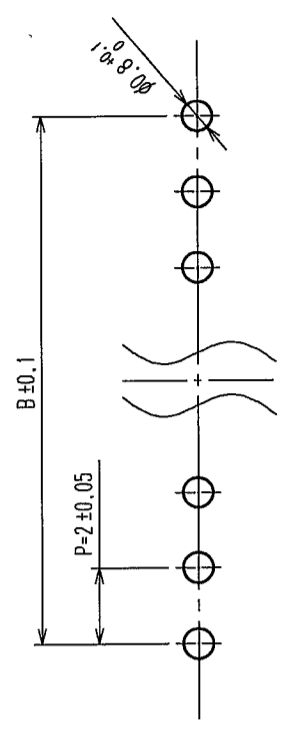
Jul.1.2020 Copyright 2020 HIROSE ELECTRIC CO., LTD. All Rights Reserved.  
 In case of consideration for using Automotive equipment / device which demand high reliability, kindly contact our sales window correspondents.

COUNT	DESCRIPTION OF REVISIONS	BY	CHKD	DATE	COUNT	DESCRIPTION OF REVISIONS	BY	CHKD	DATE
△					△				
△					△				
△					△				



CODE NO.	PART NO.	NUMBER OF CONTACT	A	B
CL543-0048-6-55	DF3-2S-2DSA(55)	2	6.0	2.0
CL543-0049-9-55	DF3-3S-2DSA(55)	3	8.0	4.0
CL543-0050-8-55	DF3-4S-2DSA(55)	4	10.0	6.0
CL543-0051-0-55	DF3-5S-2DSA(55)	5	12.0	8.0
CL543-0052-3-55	DF3-6S-2DSA(55)	6	14.0	10.0
CL543-0053-6-55	DF3-7S-2DSA(55)	7	16.0	12.0
CL543-0054-9-55	DF3-8S-2DSA(55)	8	18.0	14.0
CL543-0055-1-55	DF3-9S-2DSA(55)	9	20.0	16.0
CL543-0056-4-55	DF3-10S-2DSA(55)	10	22.0	18.0
CL543-0057-7-55	DF3-11S-2DSA(55)	11	24.0	20.0
CL543-0058-0-55	DF3-12S-2DSA(55)	12	26.0	22.0
CL543-0059-2-55	DF3-13S-2DSA(55)	13	28.0	24.0
CL543-0060-1-55	DF3-14S-2DSA(55)	14	30.0	26.0
CL543-0061-4-55	DF3-15S-2DSA(55)	15	32.0	28.0

RECOMMENDED PATTERN



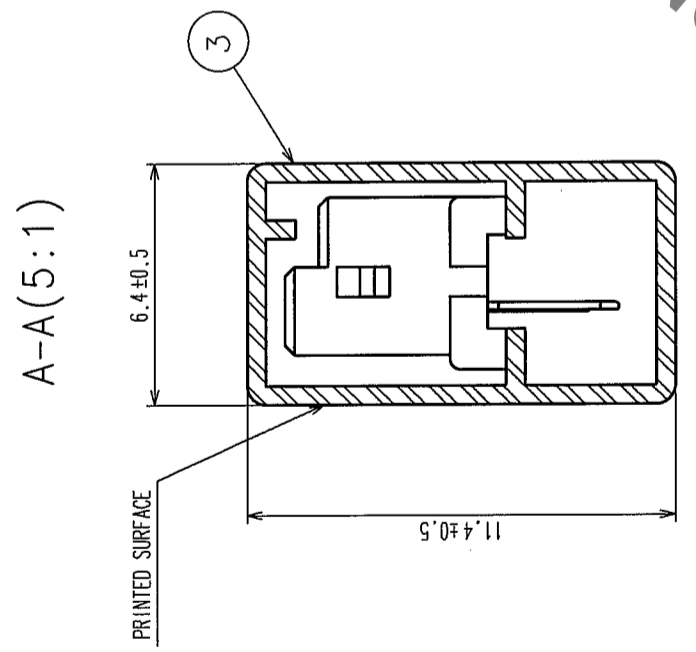
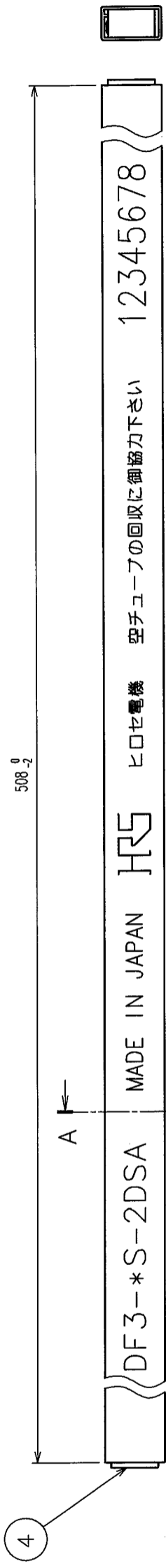
TO	

2	PHOSPHOR BRONZE	CONTACT AREA: GOLD PLATED 0.2 μm min LEAD AREA: TIN PLATED 1 μm min UNDER PLATING: NICKEL PLATED 1 μm min	4	S. PVC	STOPPER
1	POLYAMIDE	UL94V-0 (BLACK)	3	RIGID POLYVINYLCHLORIDE	ELECTROSTATIC PROTECTION, CLEAR
NO.	MATERIAL	FINISH, REMARKS	NO.	MATERIAL	FINISH, REMARKS
CODE NO. (OLD)	CL				
DRAWN		M. Nakamoto	DESIGNED	H. Imehara	APPROVED
SCALE		5 : 1	CHECKED		J. Oka
UNITS		mm	DRAWN DATE		'04.03.24
DRAWING NO.		EDC3-162329-11	DESIGNED DATE		'04.03.24
SCALE		5 : 1	CHECKED DATE		'04.03.24
UNITS		mm	DESIGNED BY		J. Oka
DRAWING NO.		EDC3-162329-11	CHECKED BY		J. Oka
SCALE		5 : 1	DESIGNED DATE		'04.03.24
UNITS		mm	CHECKED DATE		'04.03.24

DRAWING NO.		EDC3-162329-11	PART NO.		DF3-S-2DSA(55)
SCALE		5 : 1	CODE NO.		CL543-
UNITS		mm	FORM NO.		229

In case of consideration for using Automotive equipment / device which demand high reliability, kindly contact our sales window correspondents.

COUNT	DESCRIPTION OF REVISIONS	BY	CHKD	DATE	COUNT	DESCRIPTION OF REVISIONS	BY	CHKD	DATE
△					△				
△					△				
△					△				



NOTES 1. NUMBER OF CONNECTERS PER A MAGAZINE CASE SHALL BE IN ACCORDANCE WITH THE LIST.

2. THESE CONNECTORS SHALL BE ON SALED IN ACCORDANCE WITH THE MULTIPLE QUANTITY ON THE LIST.

CODE NO.	PART NO.	NUMBER OF CONNECTORS
CL543-0048-6-55	DF3-2S-2DSA(55)	80
CL543-0049-9-55	DF3-3S-2DSA(55)	60
CL543-0050-8-55	DF3-4S-2DSA(55)	48
CL543-0051-0-55	DF3-5S-2DSA(55)	40
CL543-0052-3-55	DF3-6S-2DSA(55)	34
CL543-0053-6-55	DF3-7S-2DSA(55)	30
CL543-0054-9-55	DF3-8S-2DSA(55)	27
CL543-0055-1-55	DF3-9S-2DSA(55)	24
CL543-0056-4-55	DF3-10S-2DSA(55)	21
CL543-0057-7-55	DF3-11S-2DSA(55)	20
CL543-0058-0-55	DF3-12S-2DSA(55)	18
CL543-0059-2-55	DF3-13S-2DSA(55)	17
CL543-0060-1-55	DF3-14S-2DSA(55)	16
CL543-0061-4-55	DF3-15S-2DSA(55)	15

NO.	MATERIAL	FINISH, REMARKS	NO.	MATERIAL	FINISH, REMARKS
CODE NO. (OLD) CL			DRAWN M. Nakamoto	DESIGNED H. Uehara	CHECKED J. Nagasaki
			'04.03.24	'04.03.24	'04.03.25
DRAWING NO. EDC3-162329-11			PART NO. DF3-*S-2DSA(55)		
SCALE FR:EE			CODE NO. CL543-		
UNITS mm					

TO