

M12 MALE 90° FIELD-WIREABLE SCREW TERM.

5-pol. max.0,75mm² 4-6mm

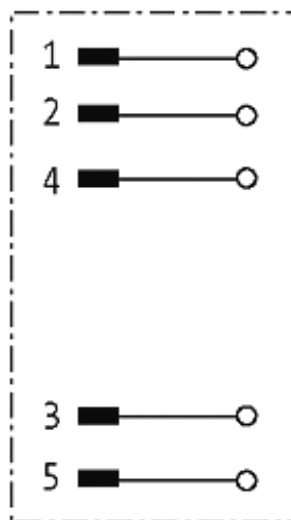
Male 90°

5-pole

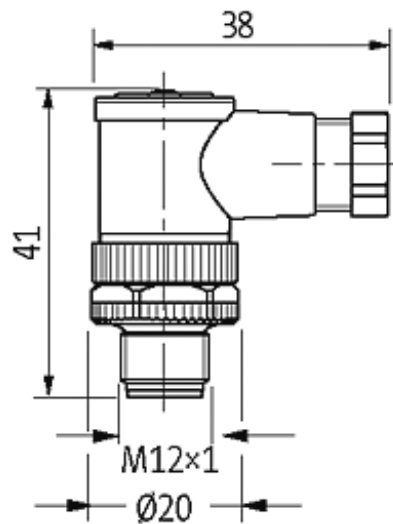
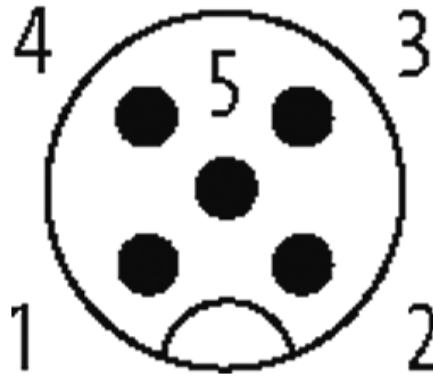
Sealing range (cable Ø): 4...6 mm

[Link to Product](#)

Illustration



Male



Product may differ from Image

Approvals



Form

Form 12841

Technical Data

Operating voltage	max. 125 V AC/DC
Operating current per contact	max. 4 A
Connection cross section	max. 0.75 mm ²
Sealing range (cable Ø)	4...6 mm
Locking of ports	Screw thread M12 × 1 mm (recommended torque 0.6 Nm) self-securing

Protection IP67 inserted and tightened (EN 60529)

General data

Temperature range -25...+85 °C

Dimensions H × W × D 41×41×20 mm

Commercial data

country of origin DE

customs tariff number 85369010

minimum order quantity 1