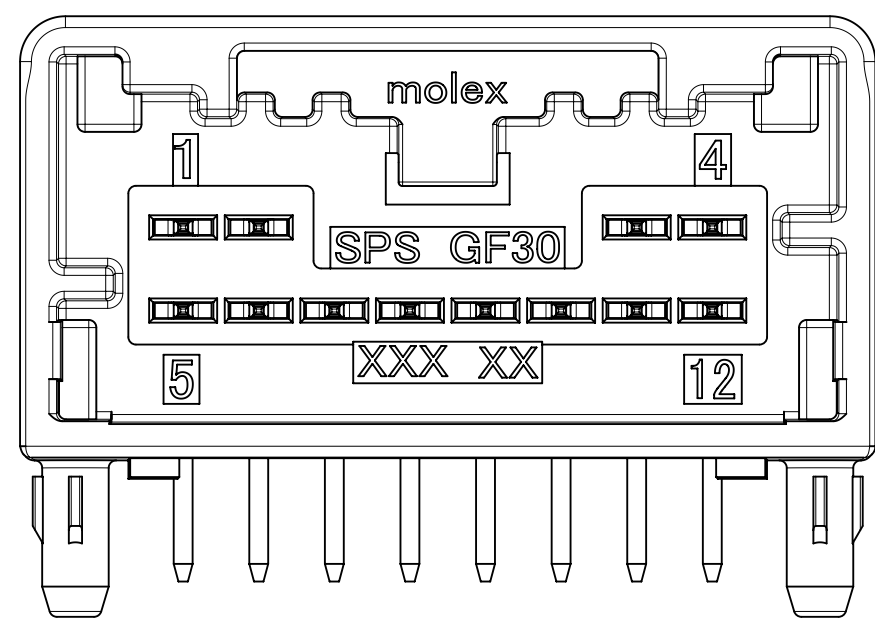
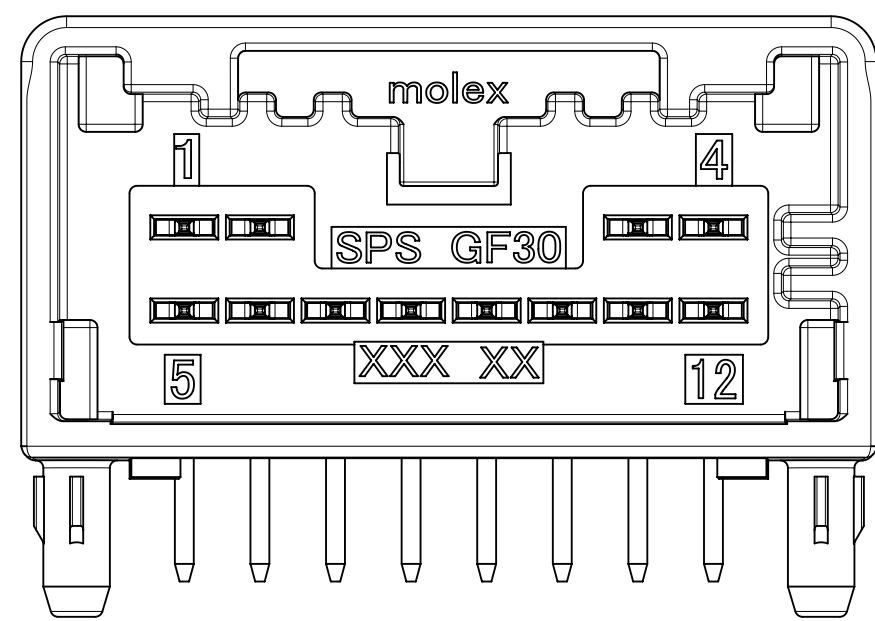


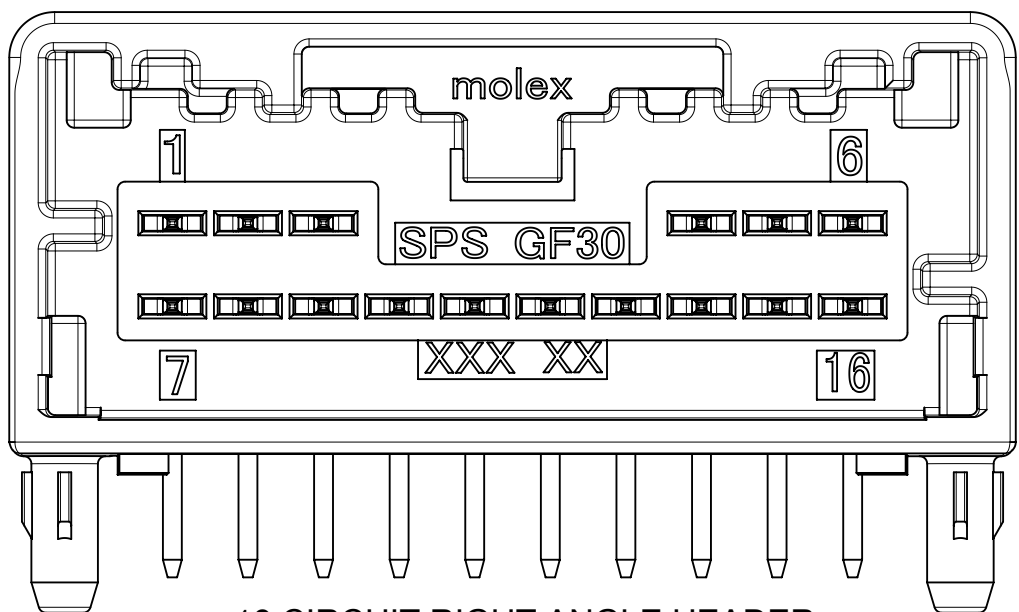
12 CIRCUIT RIGHT ANGLE USCAR HEADER
POLARIZATION OPTION A



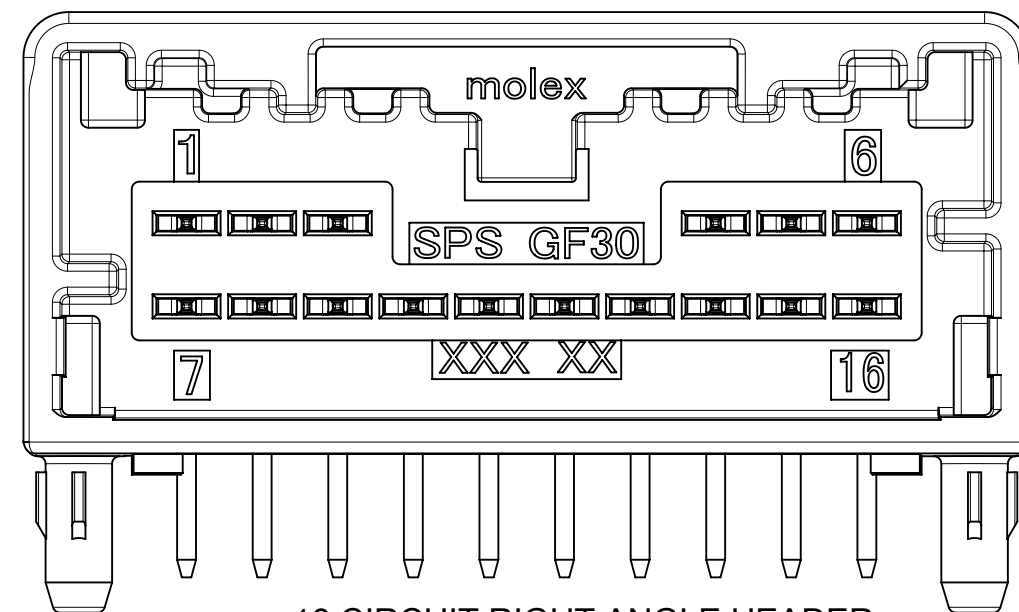
12 CIRCUIT RIGHT ANGLE USCAR HEADER
POLARIZATION OPTION B



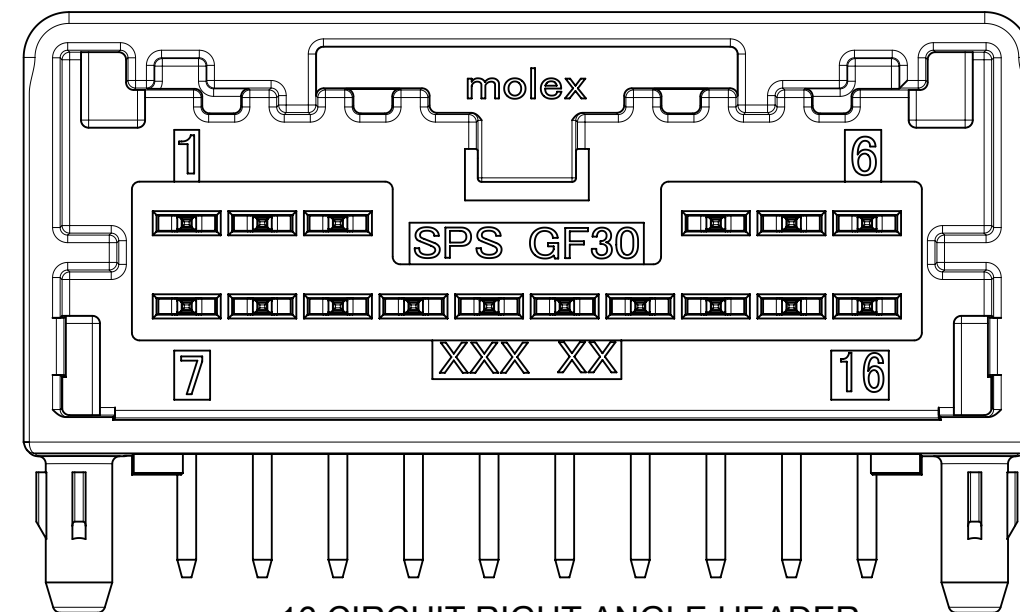
12 CIRCUIT RIGHT ANGLE USCAR HEADER
POLARIZATION OPTION C



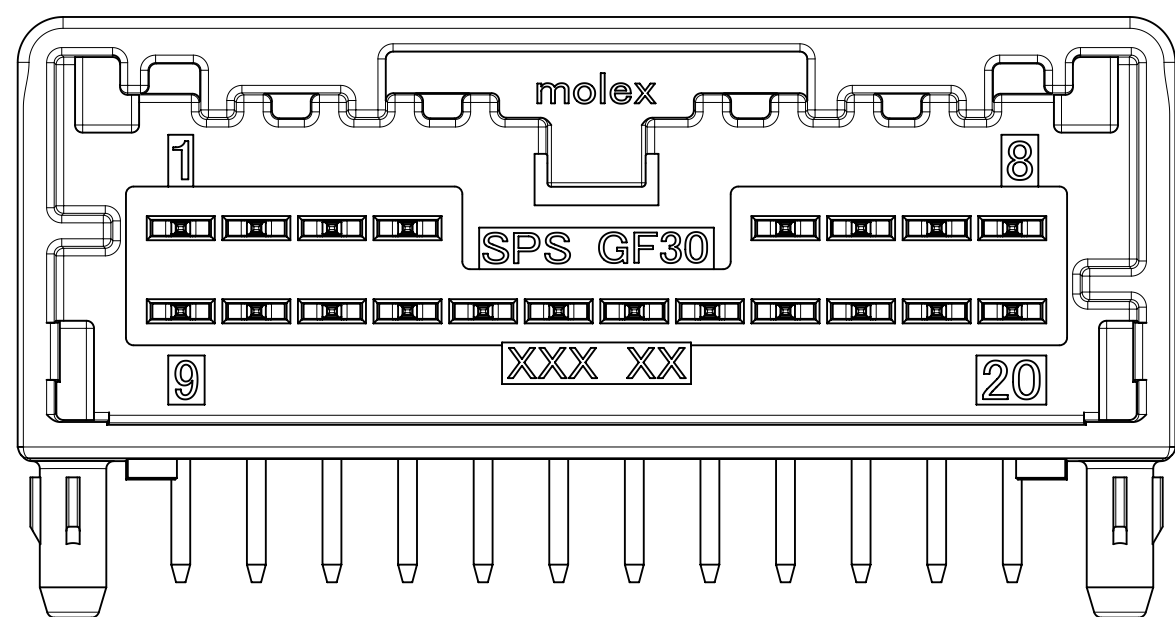
16 CIRCUIT RIGHT ANGLE HEADER
POLARIZATION OPTION A



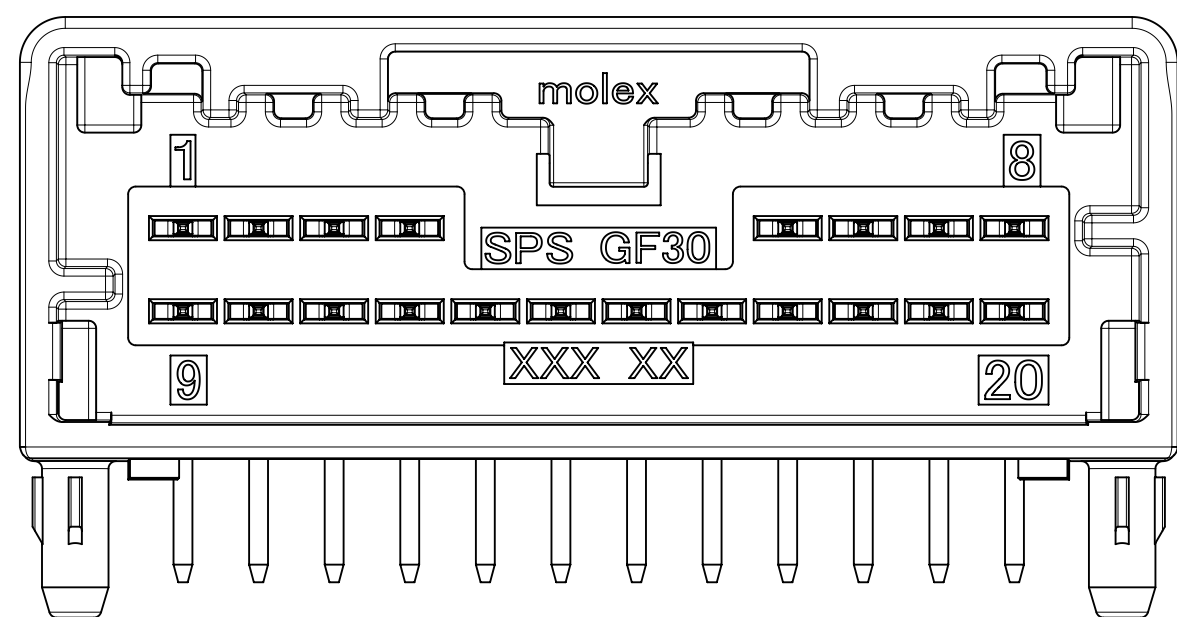
16 CIRCUIT RIGHT ANGLE HEADER
POLARIZATION OPTION B



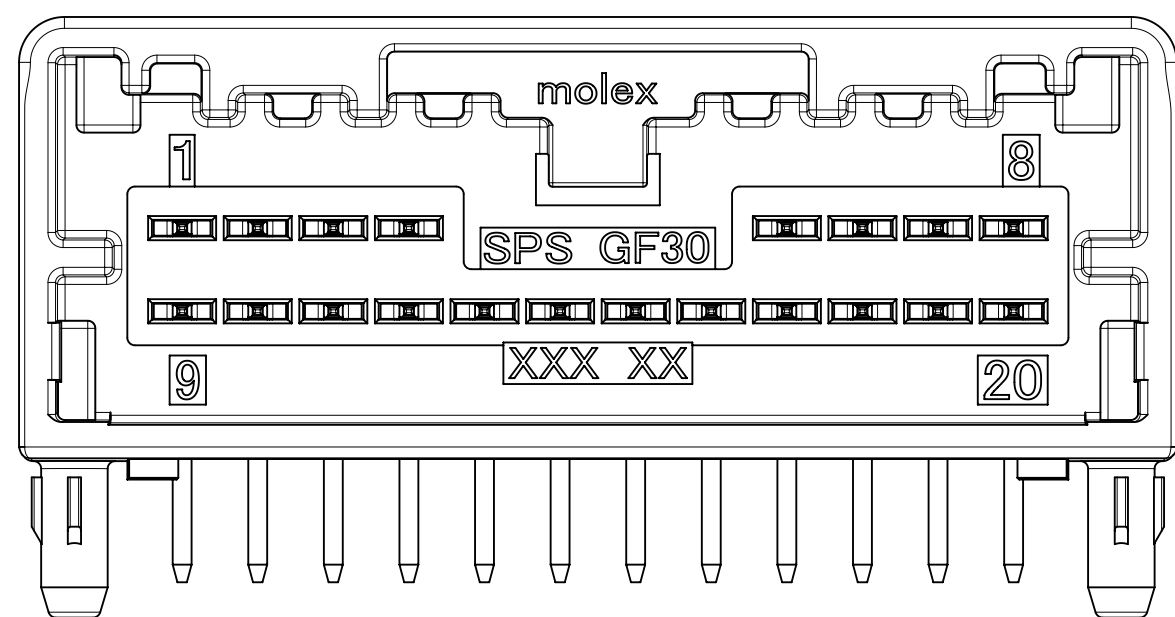
16 CIRCUIT RIGHT ANGLE HEADER
POLARIZATION OPTION C



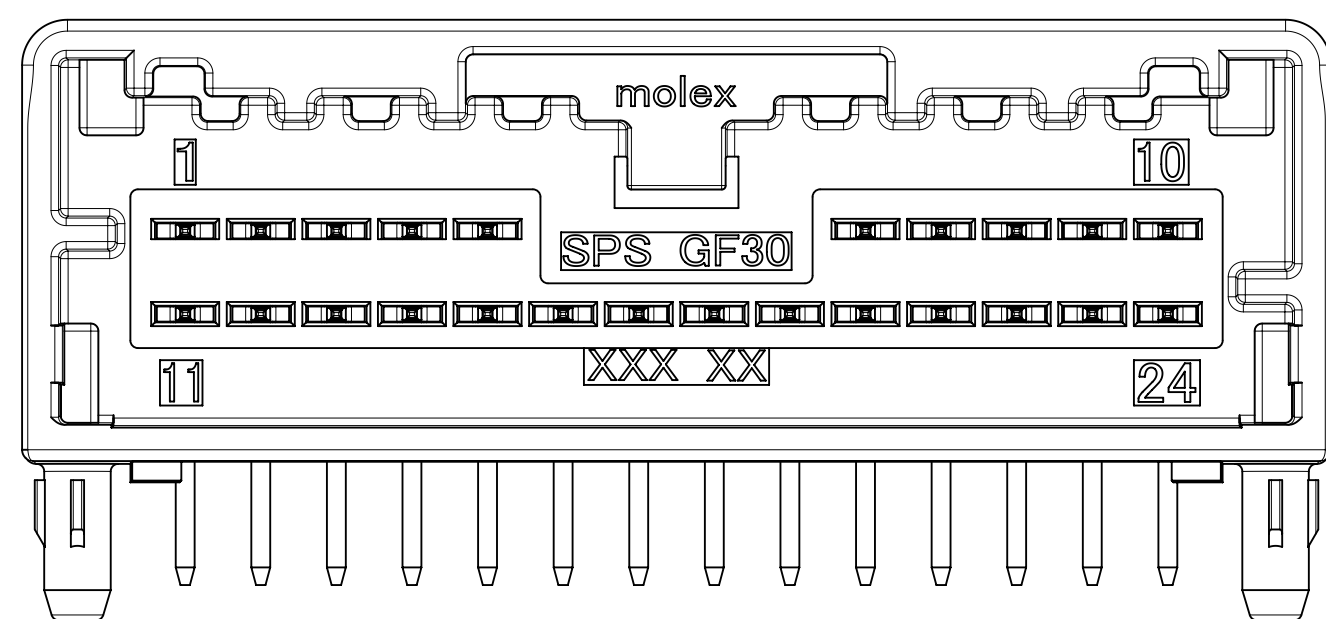
20 CIRCUIT RIGHT ANGLE HEADER
POLARIZATION OPTION A



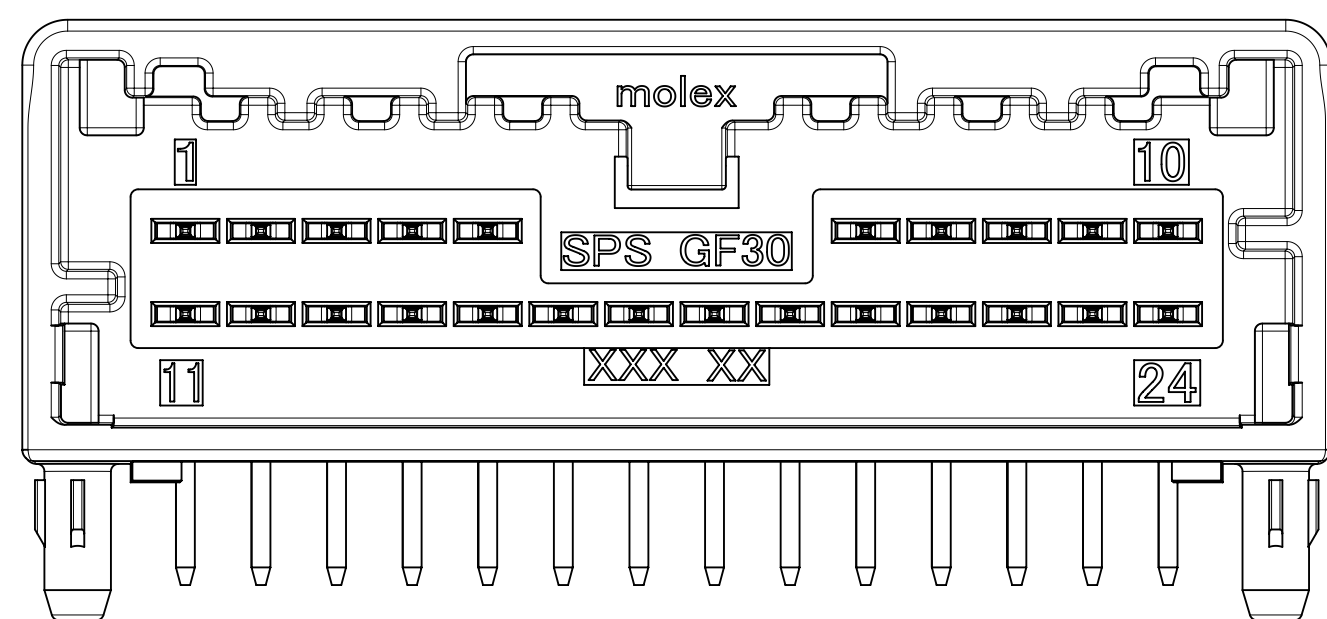
20 CIRCUIT RIGHT ANGLE HEADER
POLARIZATION OPTION B



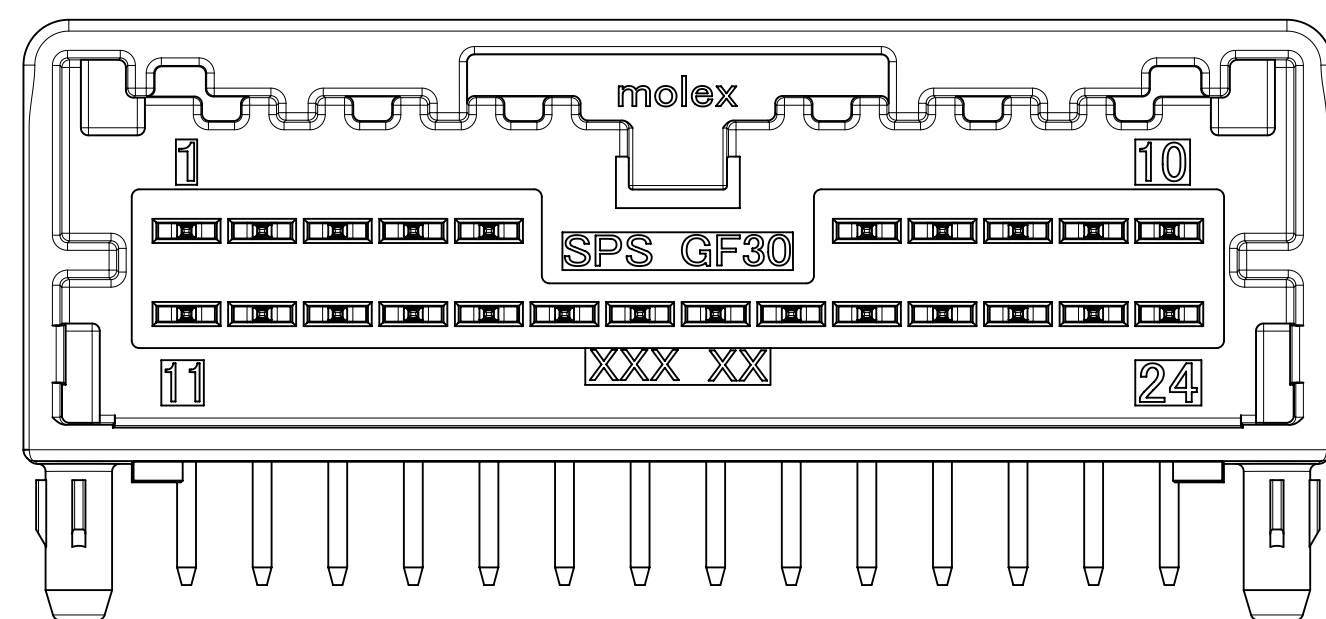
20 CIRCUIT RIGHT ANGLE HEADER
POLARIZATION OPTION C



24 CIRCUIT RIGHT ANGLE HEADER
POLARIZATION OPTION A



24 CIRCUIT RIGHT ANGLE HEADER
POLARIZATION OPTION B



24 CIRCUIT RIGHT ANGLE HEADER
POLARIZATION OPTION C

NOTES: VALID UNLESS OTHERWISE SPECIFIED

1. GENERAL:
 - a. APPLICATION SPECIFICATION SEE: AS-34791-020
 - b. PRODUCT SPECIFICATION SEE: PS-34791-020
 - c. PACKAGING SPECIFICATION PER MOLEX DRAWING: SEE CHART
 - d. SOLDERABILITY PER SMES-152
 - e. PARTS MUST BE IN COMPLIANCE TO MOLEX CHEMICAL SUBSTANCES FOR PRODUCTS AND PACKAGING SPECIFICATION: QEHS-699000-300
 - f. DATA MUST BE SUBMITTED UNDER THE MOLEX PART NUMBER TO IMDS (COMPANY ID#13255)
 - g. FLAMMABILITY REQUIREMENT: PER ISO3795 OR GM3191
 - h. VISUAL DEFECTS SHALL MEET COSMETIC STANDARD PS-45499-002 (Class B)

2. DESIGN - MATERIALS:
 - a. SHROUD (PLASTIC HOUSING): SPS 30% GF, 20% REGRIND MAX PER WEIGHT
 - b. BLADES:
 - BASE METAL: C260 BRASS
 - PLATING REQUIREMENTS:
 - TIN OVER NICKEL:
 - UNDERPLATING:
 - OVERALL NICKEL
 - OVERPLATING:
 - OVERALL TIN

3. DESIGN - GEOMETRY:
 - a. THIS IS A 100% CAD GENERATED PART. THE CAD MATHEMATICAL DATA IS THE MASTER FOR THIS PART. FOR DIMENSIONAL OR ANY INFORMATION NOT SHOWN ON THIS DRAWING, ANALYZE THE CAD MODEL.
 - b. GEOMETRIC DIMENSIONS AND TOLERANCES PER ASME Y14.5M - 2009
 - c. GENERAL TOLERANCES: SEE TITLE BLOCK
 - d. EDGES AND UNDIMENSIONED DETAILS PER ISO13715
 - e. CORNERS SHOWN AS SHARP TO BE R 0.1 MAX
 - f. LETTERING SHALL BE 0.10 MAX RAISED. THIS INCLUDES RECYCLING CODE, PLANT AND CAVITY ID, VENDOR ID, AND CIRCUIT ID.

INSPECTION BALLOON NUMBER LOG	
PER DRAWING REVISION: G3	
LAST BALLOON USED: 20	
ADDED BALLOON NUMBERS: 19, 20	
REMOVED BALLOON NUMBERS: 1, 2, 3, 4, 5	

REV	DESCRIPTION
G3	ADDED NOTE AND PIN TP
G2	UPDATED PBT PART NUMBERS
G1	NX REMASTERING

QUALITY SYMBOLS	THIS DRAWING CONTAINS INFORMATION THAT IS PROPRIETARY TO MOLEX ELECTRONIC TECHNOLOGIES, LLC AND SHOULD NOT BE USED WITHOUT WRITTEN PERMISSION
▽ = 0	EC NO: 614746 DRWN: SRUSS CHKD: JDUNAJ REV APPR: JDUNAJ
▽ = 0	
▽ = 0	
▽ = 0	
▽ = 0	
▽ = 0	
▽ = 0	
▽ = 0	
▽ = 0	
▽ = 0	

GENERAL TOLERANCES (UNLESS SPECIFIED)		DIMENSION UNITS	SCALE
ANGULAR TOL ± 3.0 °		MM ONLY	5:1
4 PLACES ±	DRAFT WHERE APPLICABLE MUST REMAIN WITHIN DIMENSIONS	TCUCU	2011/02/24
3 PLACES ±		TMACHUGA	2011/02/25
2 PLACES ± 0.1		SMARCEAU	2011/12/12
1 PLACE ± 0.2		DRAWING SIZE	THIRD ANGLE PROJECTION
0 PLACES ±		D	

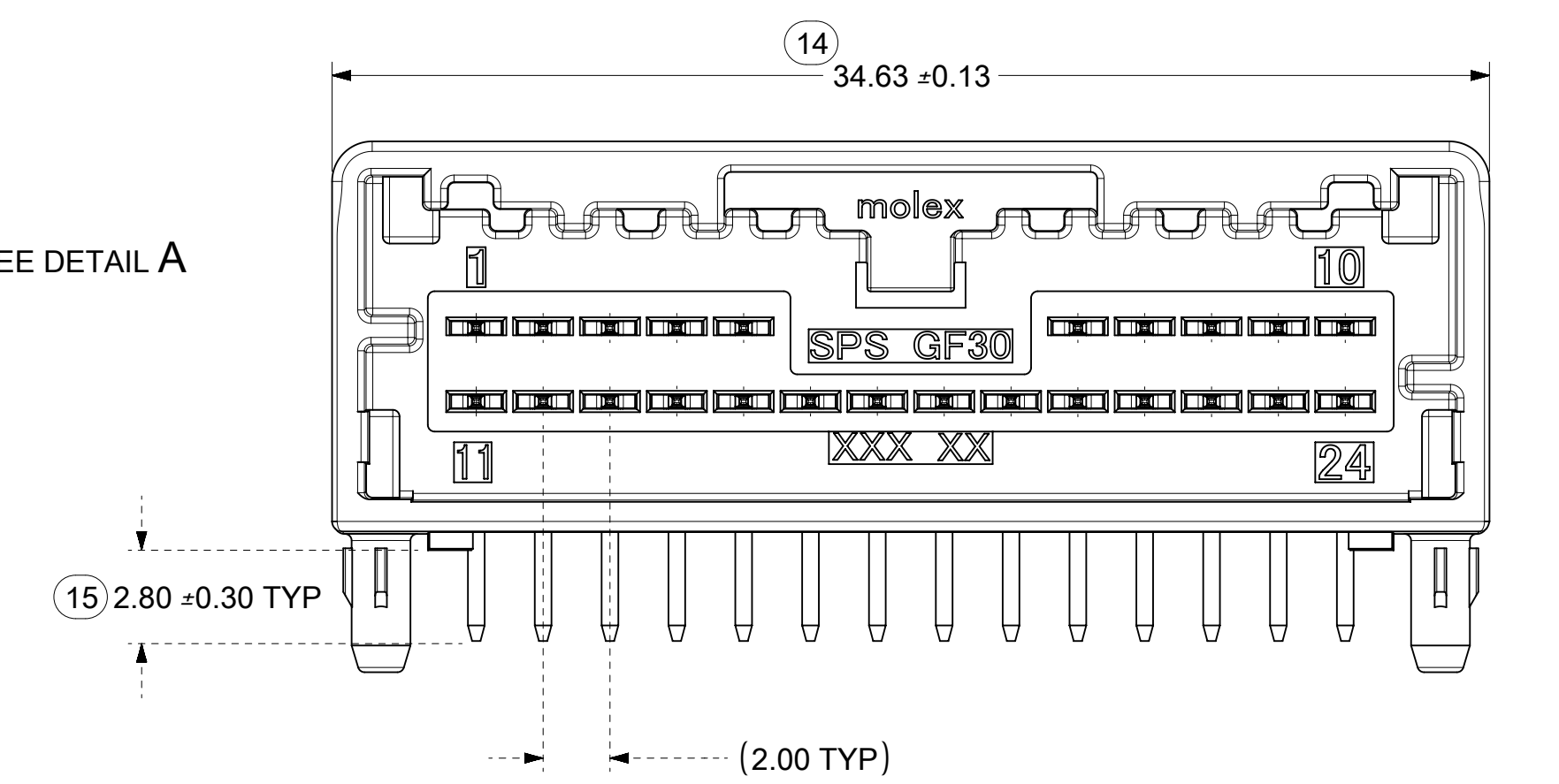
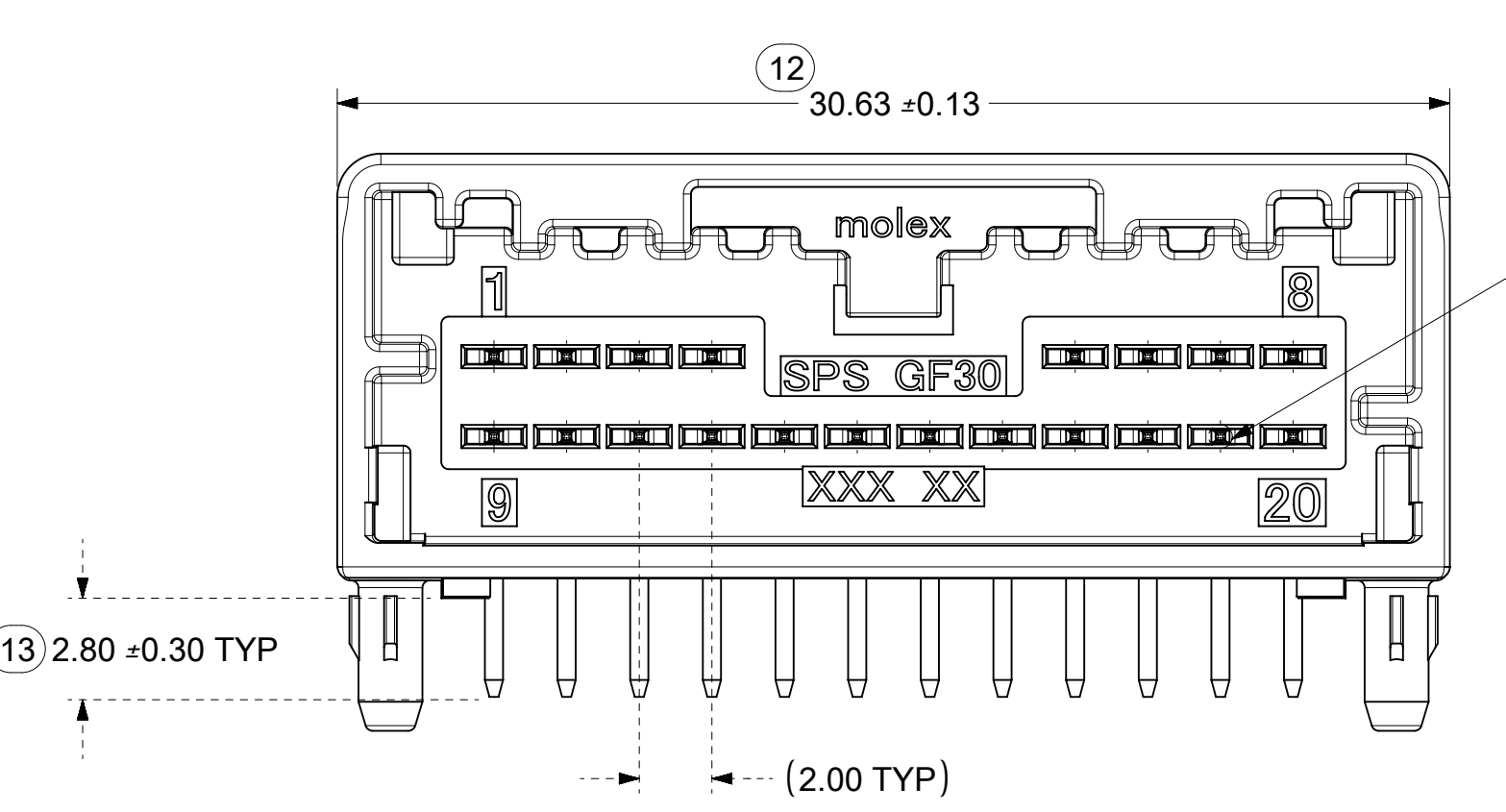
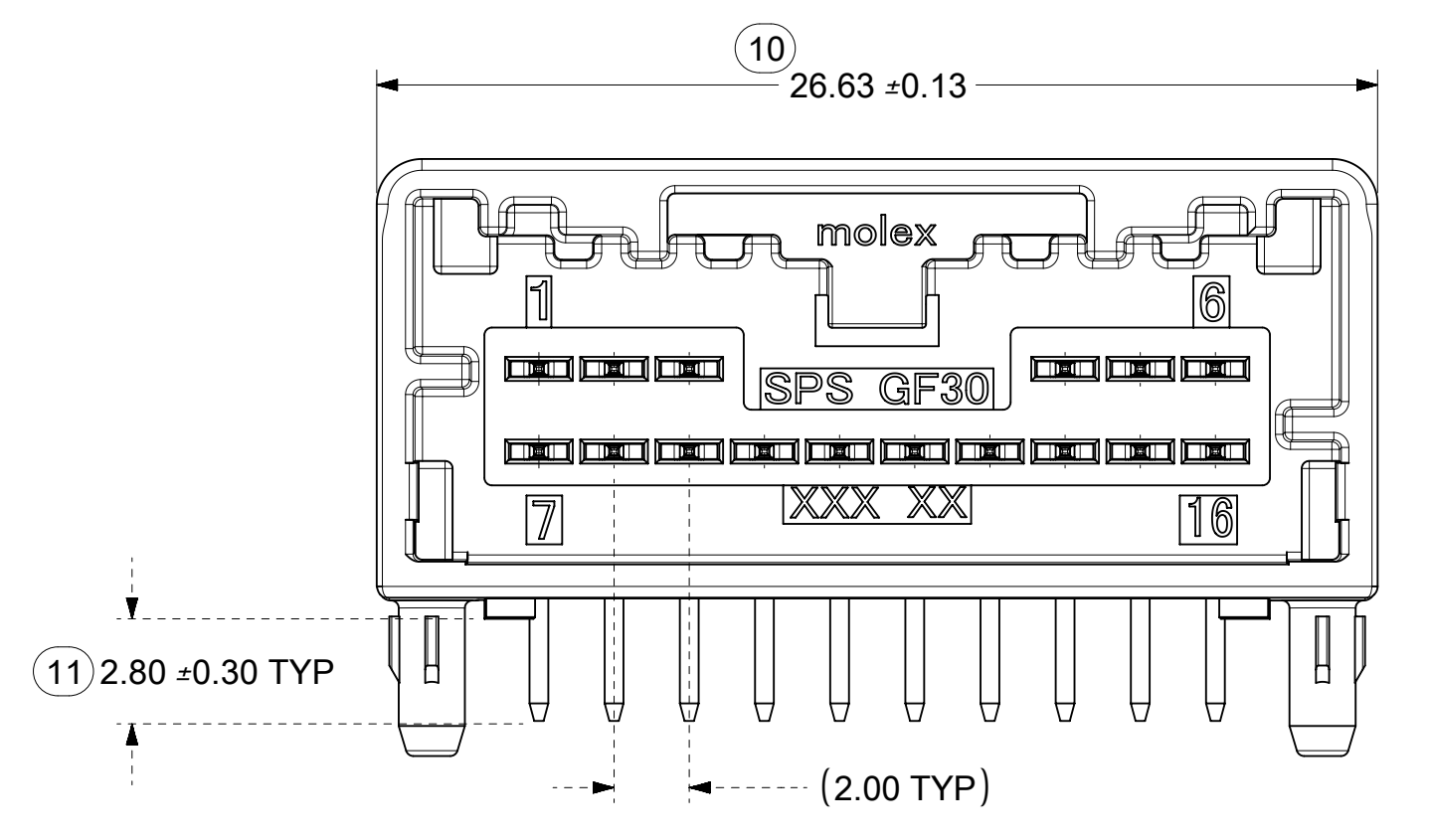
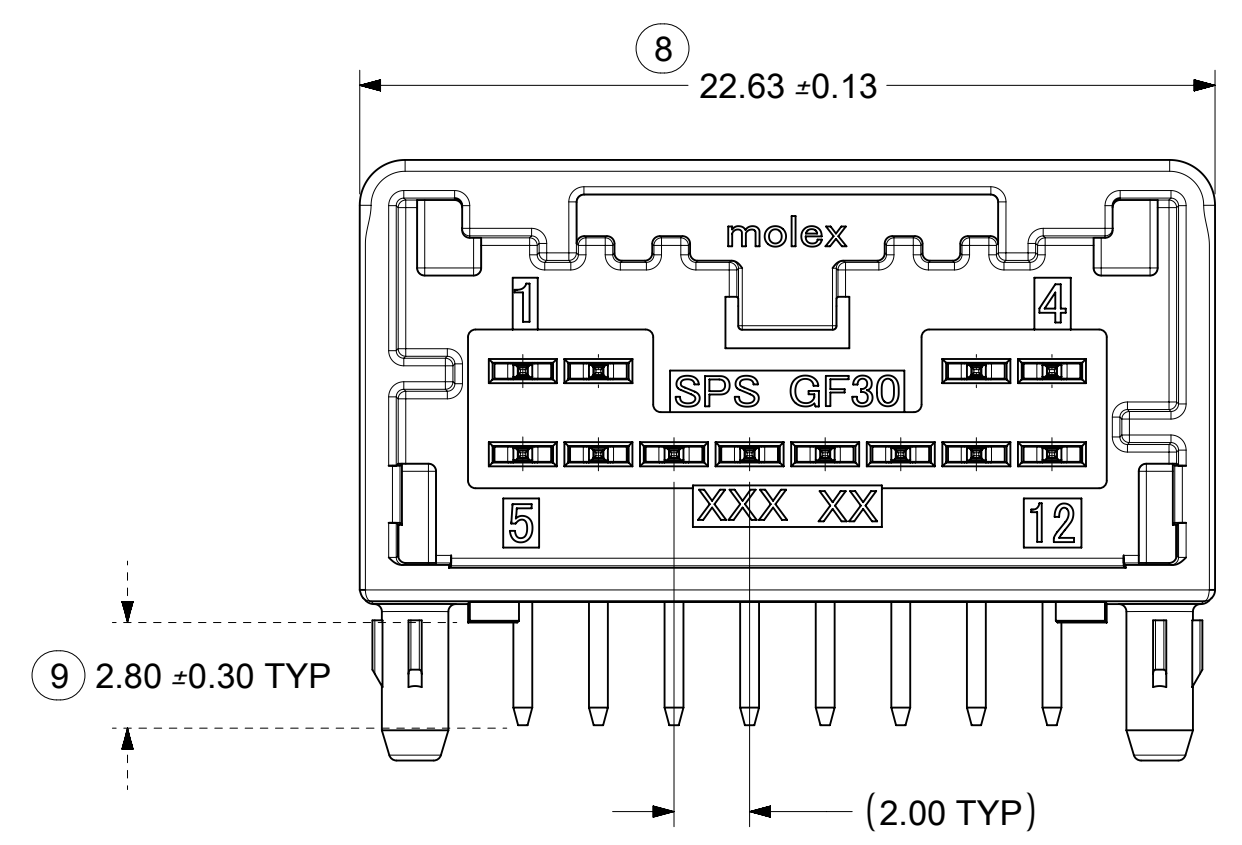
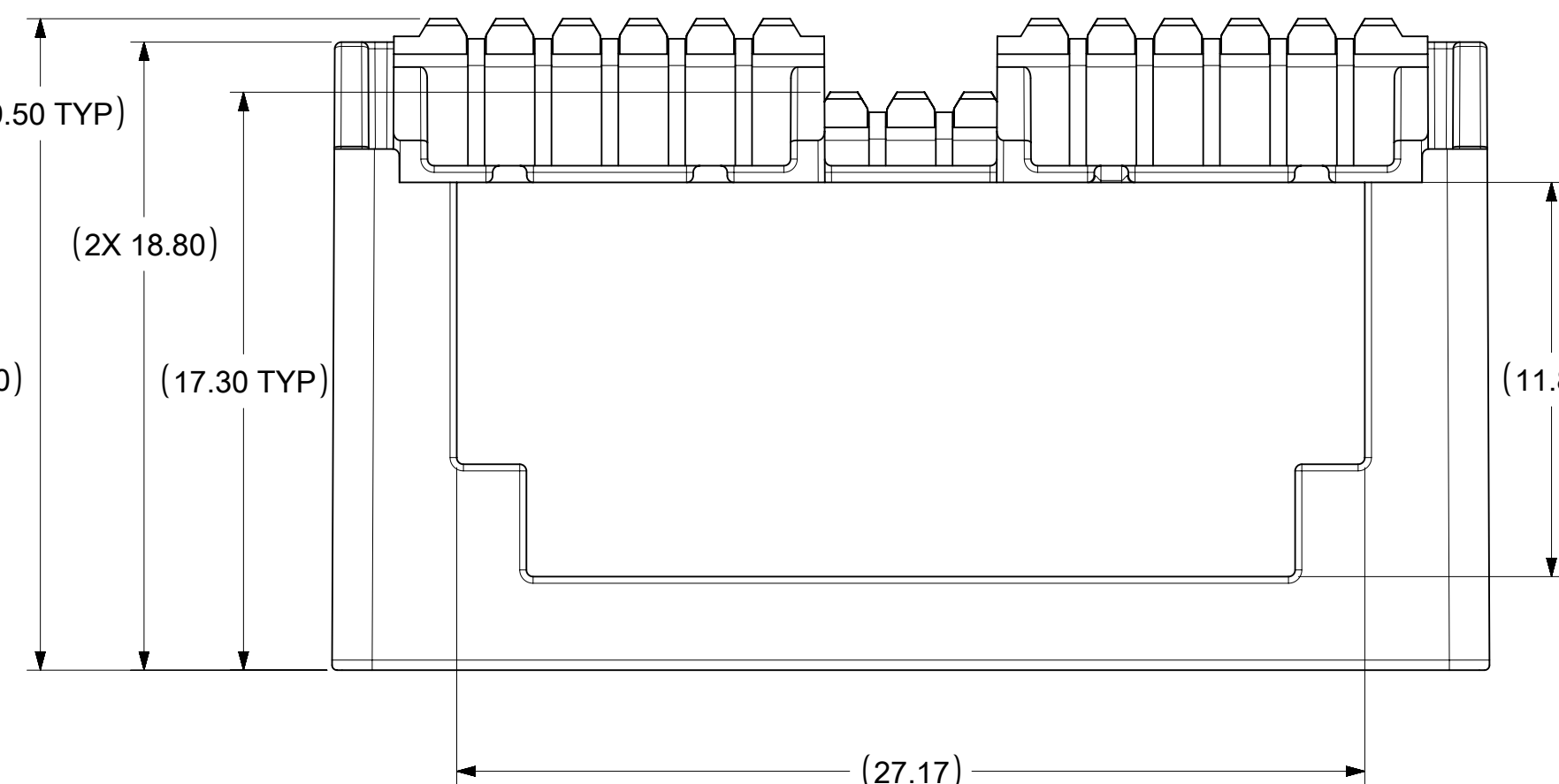
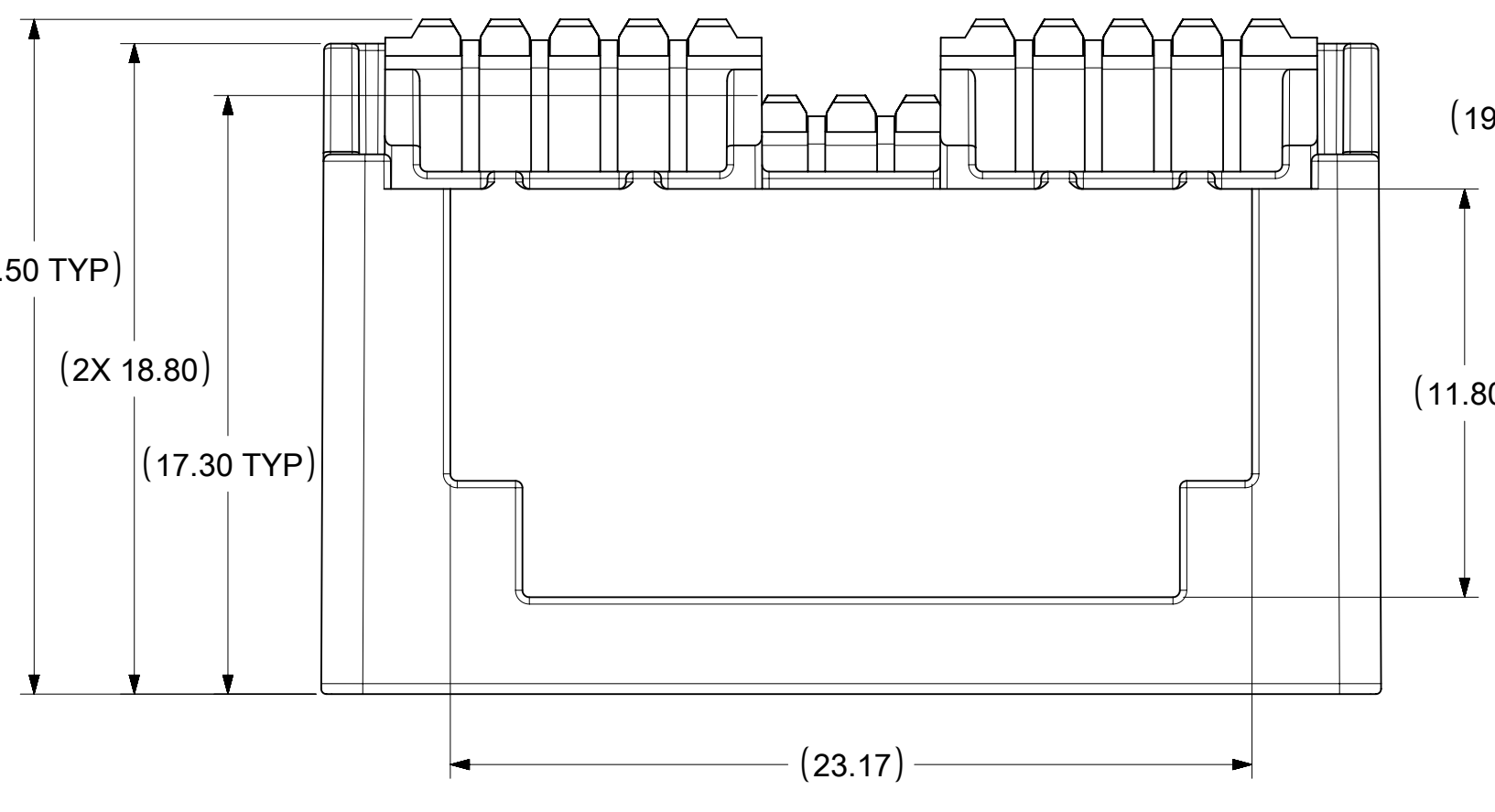
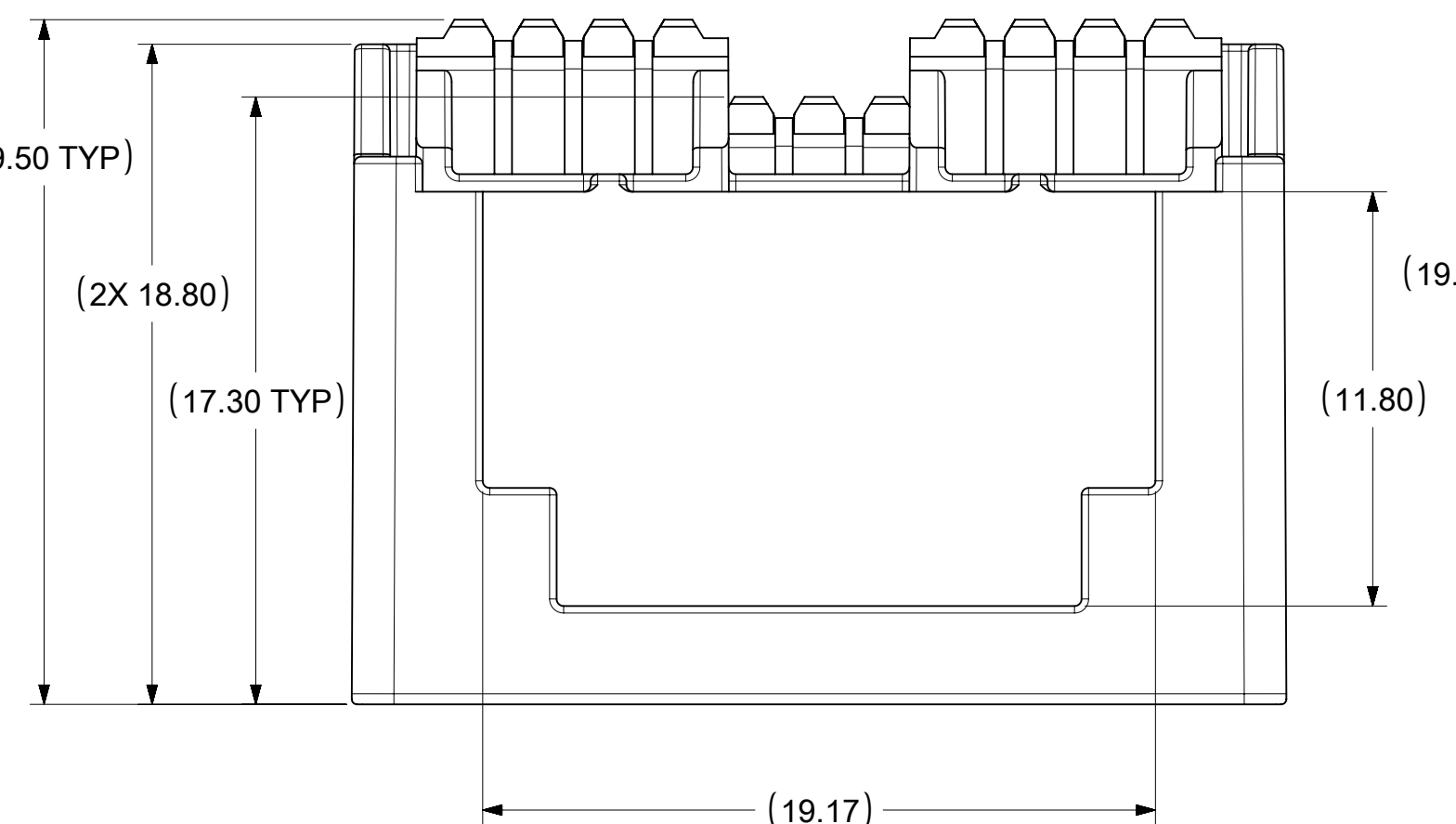
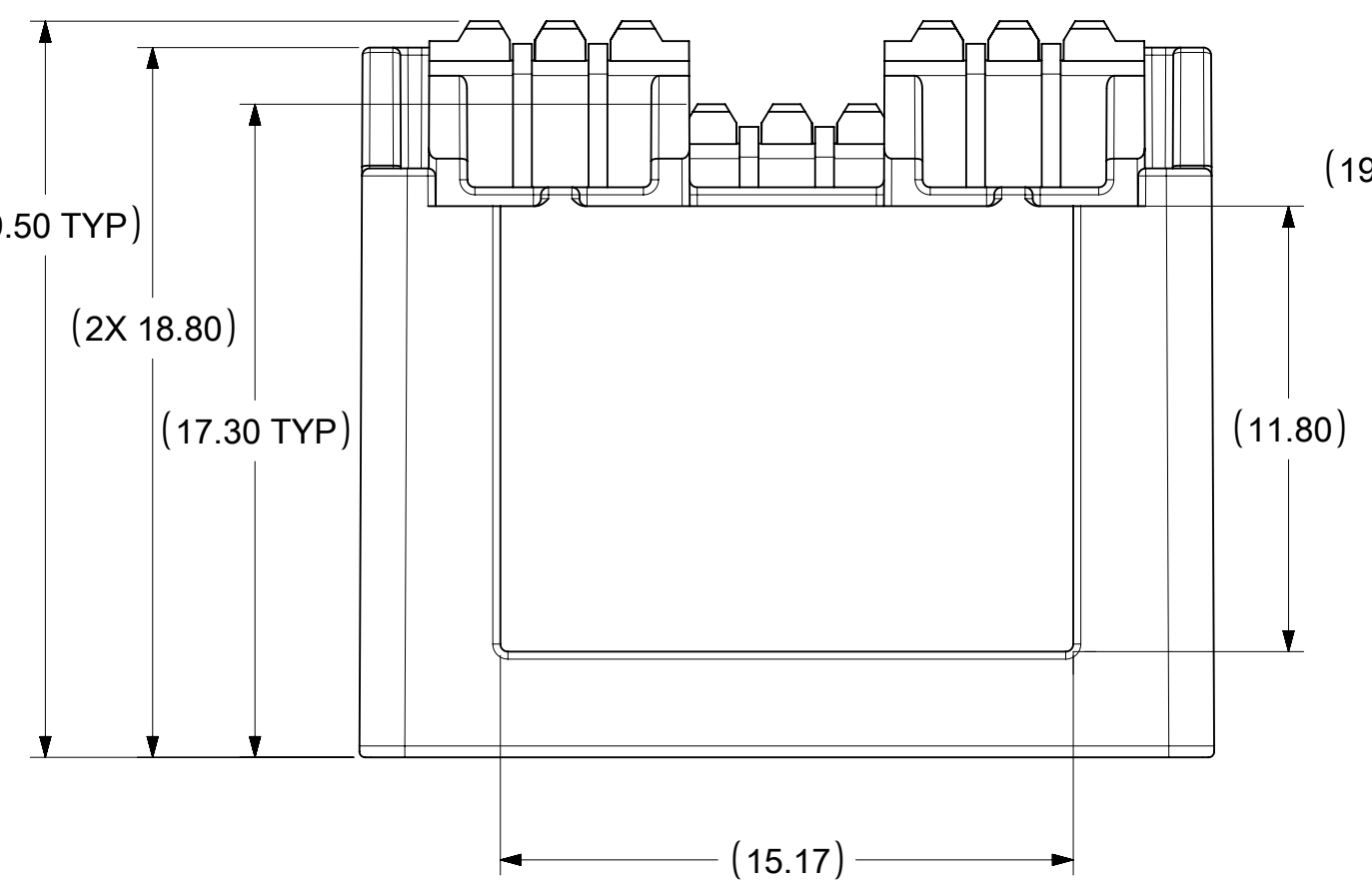
molex®			
MINI 50 R/A DUAL ROW RIGHT ANGLE ASSEMBLY SALES DRAWING			
PRODUCT CUSTOMER DRAWING			
SERIES	MATERIAL NUMBER	CUSTOMER	
34826	SEE CHART	GENERAL MARKET	
DOCUMENT NUMBER	DOC TYPE	DOC PART	SHEET NUMBER
SD-34826-001	PSD	001	1 OF 4

12 CIRCUIT RIGHT ANGLE
USCAR HEADER

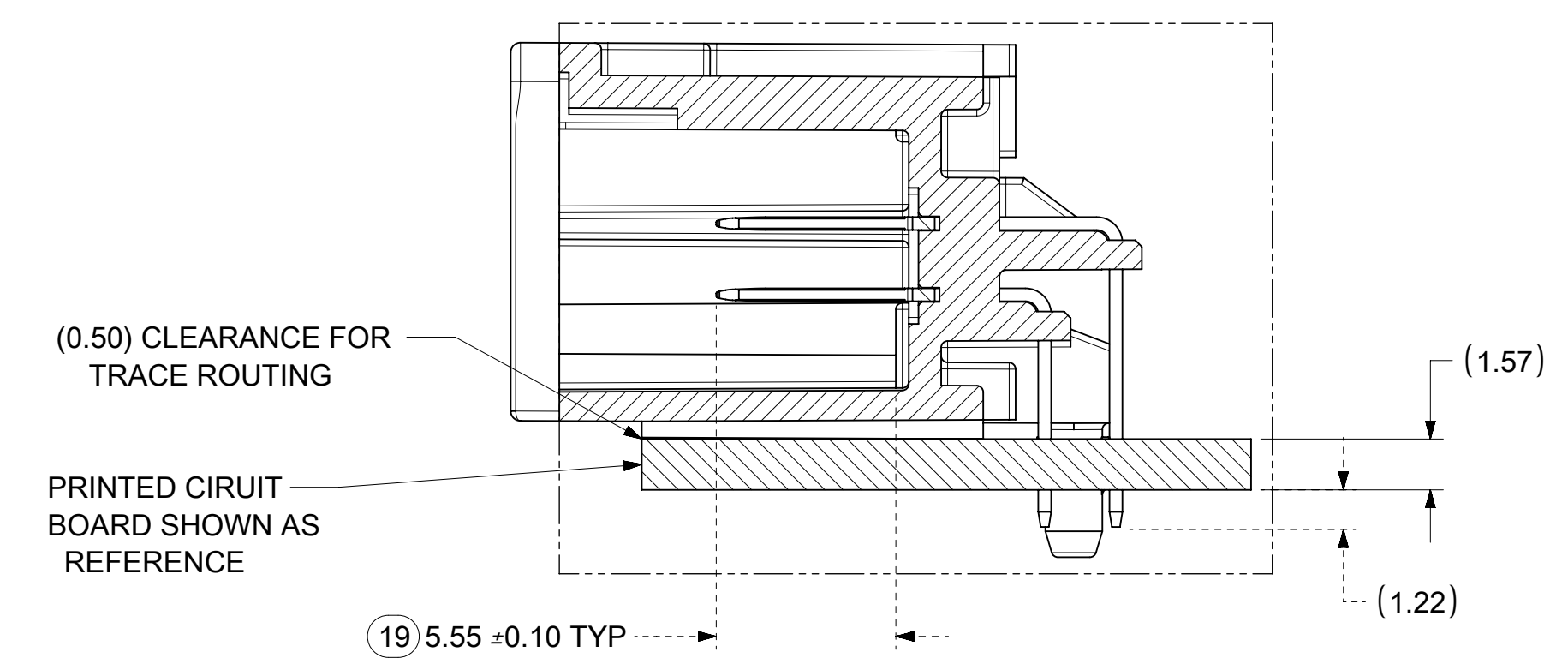
16 CIRCUIT RIGHT ANGLE HEADER

20 CIRCUIT RIGHT ANGLE HEADER

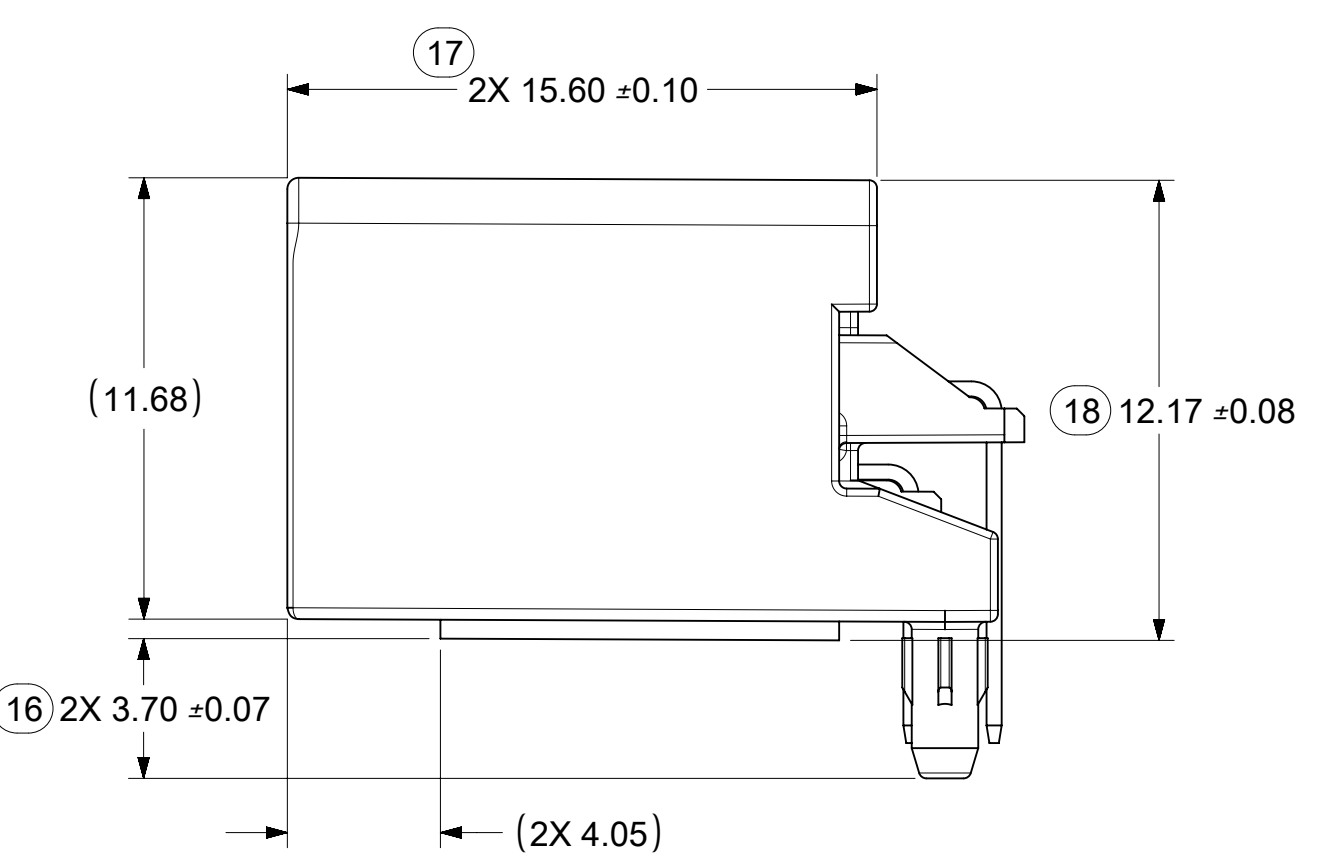
24 CIRCUIT RIGHT ANGLE HEADER



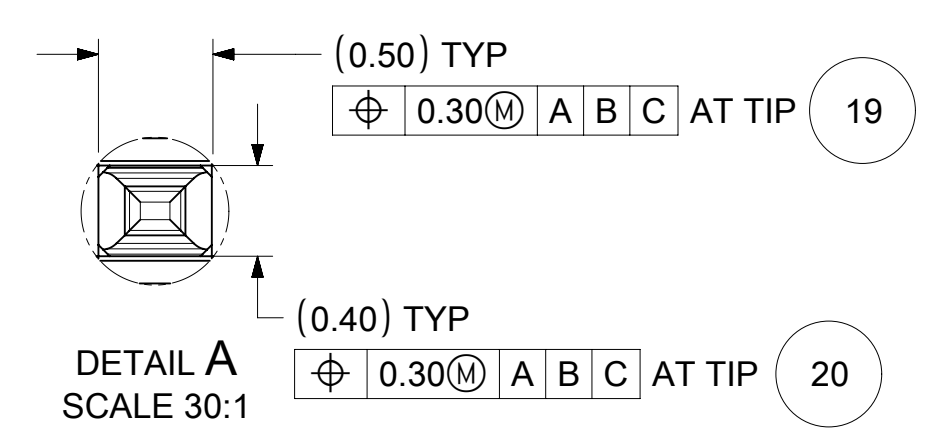
HEADER TO PCB
FLUSH MOUNT



NOTE: SIDE VIEW IS SIMILAR FOR ALL CKTS ON THIS DRAWING

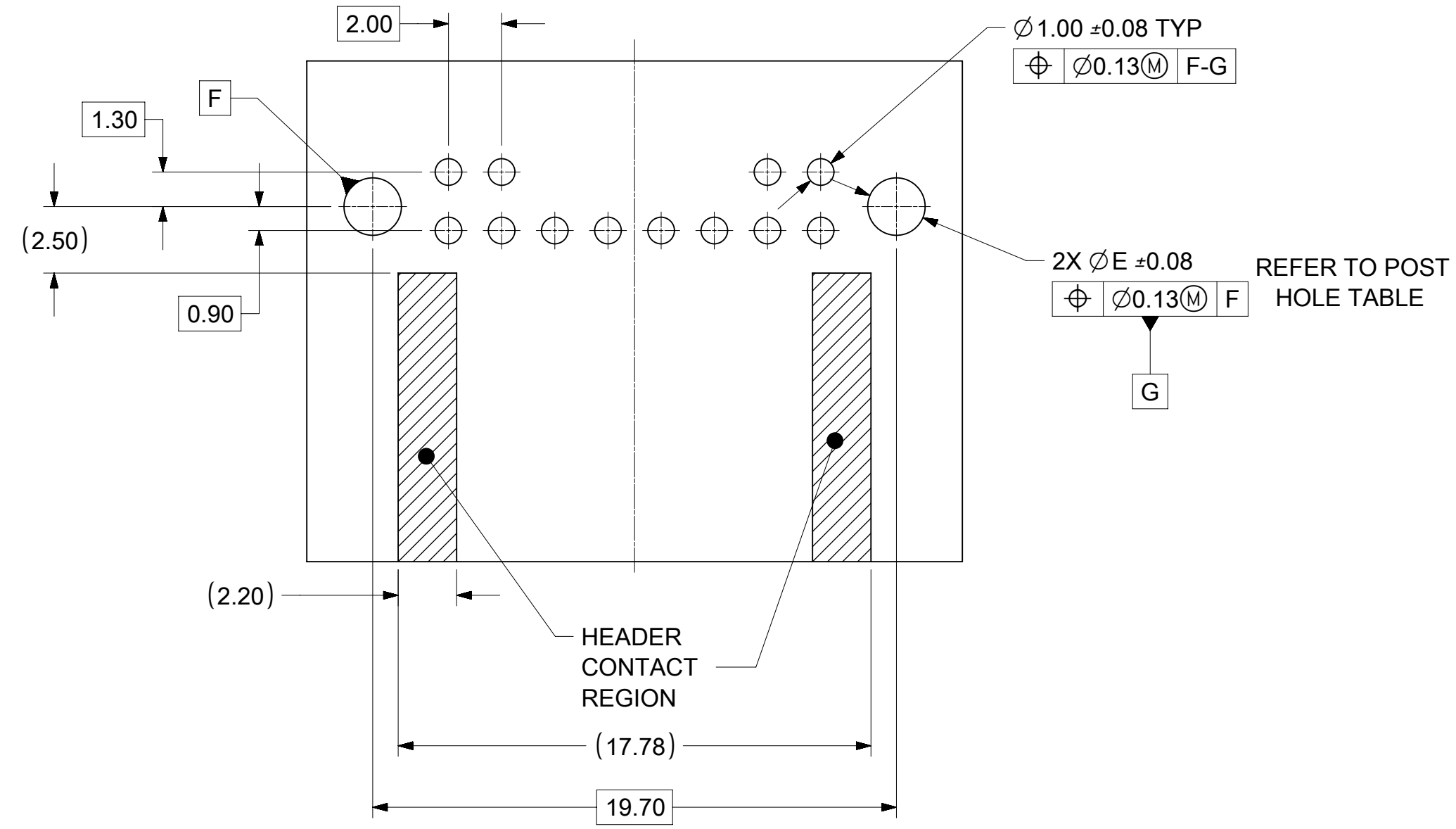


NOTE: SIDE VIEW IS SIMILAR FOR ALL CKTS ON THIS DRAWING

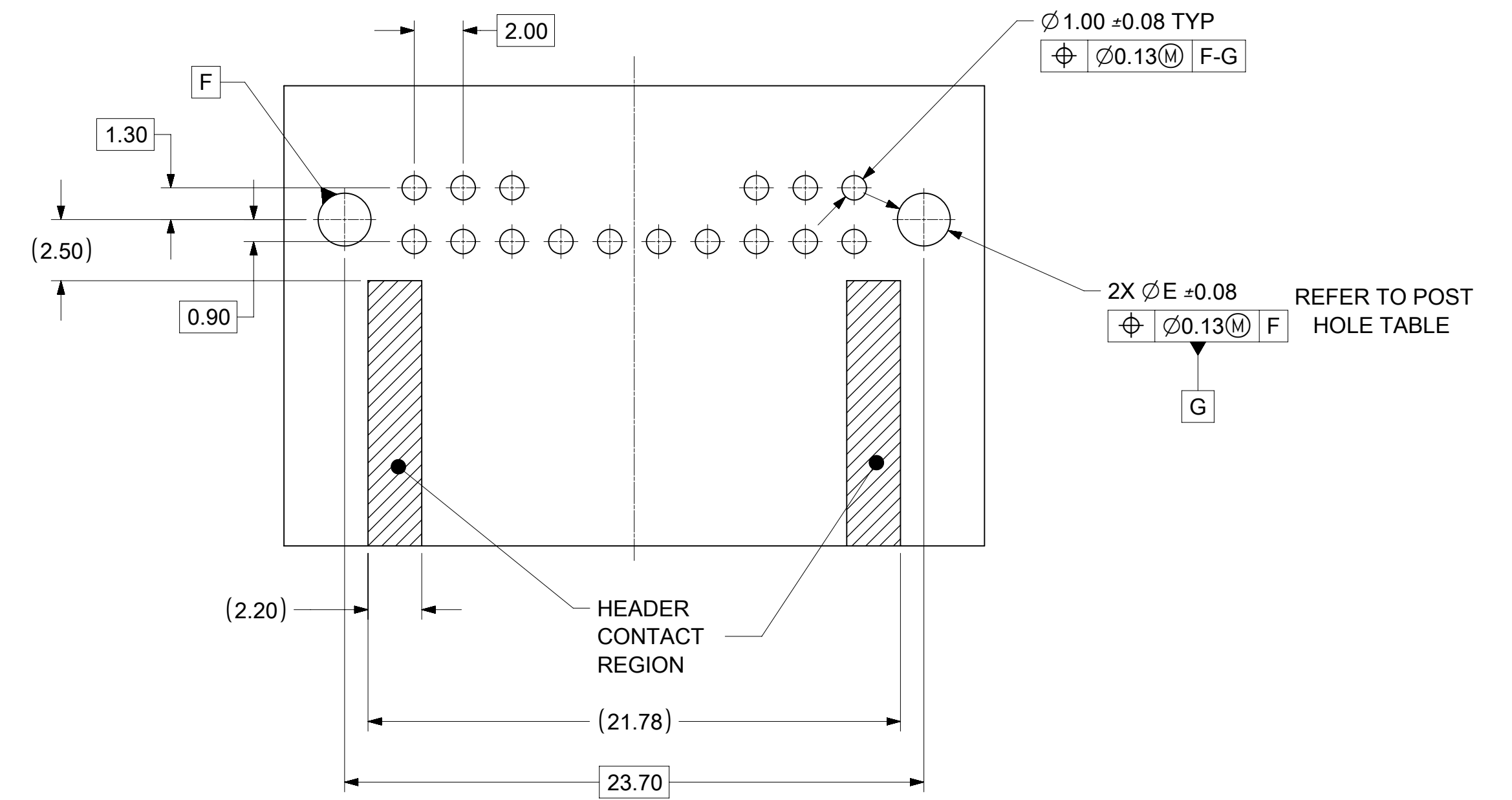


QUALITY SYMBOLS □ = 0 ▽ = 0 ▽ = 0 ▽ = 0 ▽ = 0 ▽ = 0 ▽ = 0 ▽ = 0 ▽ = 0 ▽ = 0		THIS DRAWING CONTAINS INFORMATION THAT IS PROPRIETARY TO MOLEX ELECTRONIC TECHNOLOGIES, LLC AND SHOULD NOT BE USED WITHOUT WRITTEN PERMISSION EC NO: 614746 DRWN: SRUSS CHKD: JDUNAJ REV APPR: JDUNAJ		GENERAL TOLERANCES (UNLESS SPECIFIED) ANGULAR TOL ± 3.0 ° 4 PLACES ± 3 PLACES ± 2 PLACES ± 0.1 1 PLACE ± 0.2 0 PLACES ± DRAFT WHERE APPLICABLE MUST REMAIN WITHIN DIMENSIONS		DIMENSION UNITS: MM ONLY SCALE: 5:1 DRWN BY: TCUCU DATE: 2011/02/24 CHKD BY: TMACHUGA DATE: 2011/02/25 APPR BY: SMARCEAU DATE: 2011/12/12 DRAWING SIZE: D THIRD ANGLE PROJECTION		molex® MINI 50 R/A DUAL ROW RIGHT ANGLE ASSEMBLY SALES DRAWING PRODUCT CUSTOMER DRAWING SERIES: 34826 MATERIAL NUMBER: SEE CHART CUSTOMER: GENERAL MARKET DOCUMENT NUMBER: SD-34826-001 DOC TYPE: PSD DOC PART: 001 SHEET NUMBER: 2 OF 4		
--	--	---	--	---	--	---	--	--	--	--

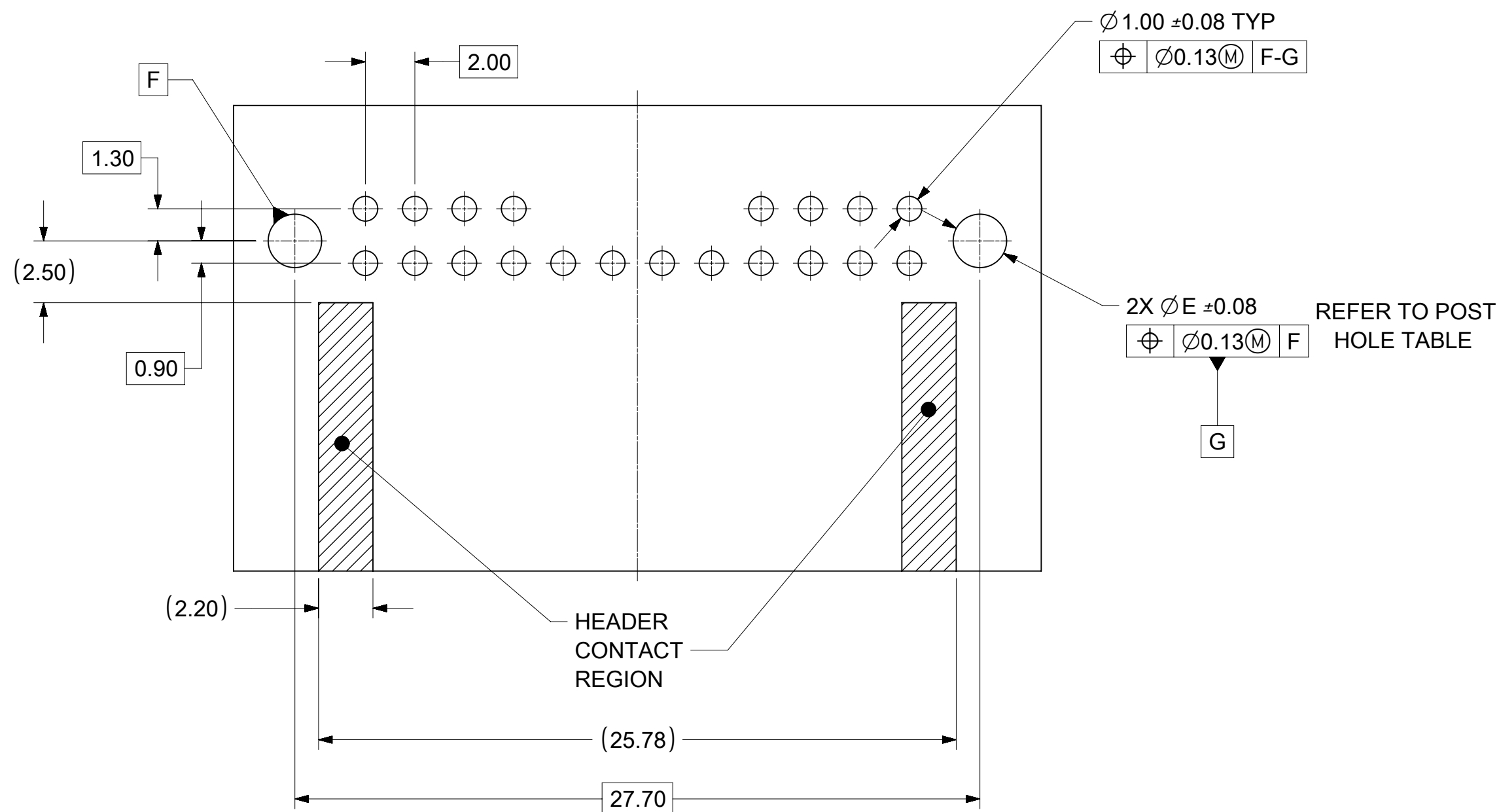
12 CIRCUIT RIGHT ANGLE HEADER
PCB CONFIGURATION



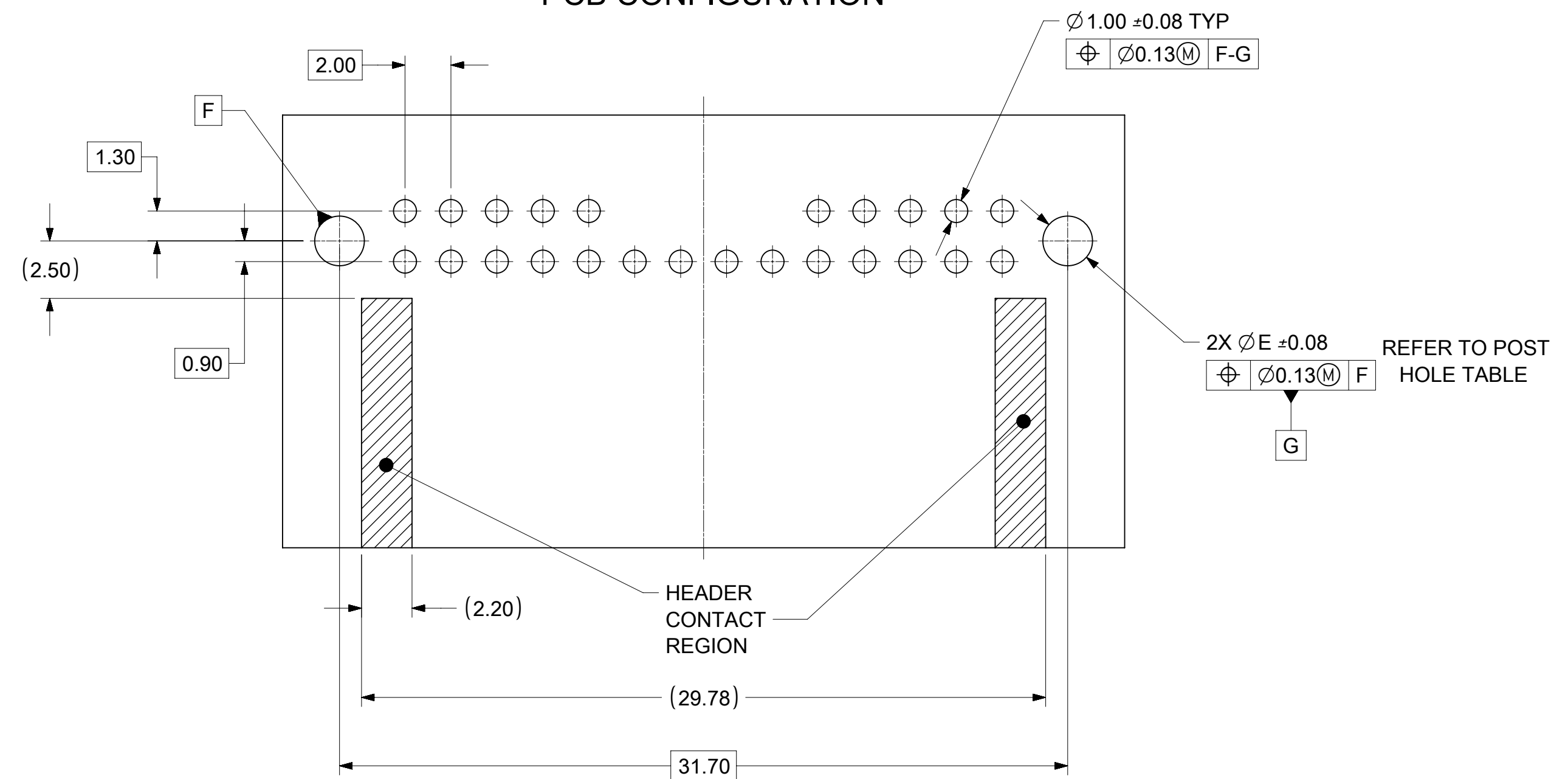
16 CIRCUIT RIGHT ANGLE HEADER
PCB CONFIGURATION



20 CIRCUIT RIGHT ANGLE HEADER
PCB CONFIGURATION



24 CIRCUIT RIGHT ANGLE HEADER
PCB CONFIGURATION



POST HOLE TABLE

	DIM 'E'
PRESS FIT	2.15
DROP IN	2.55


THIS DRAWING CONTAINS INFORMATION THAT IS PROPRIETARY TO MOLEX ELECTRONIC TECHNOLOGIES, LLC AND SHOULD NOT BE USED WITHOUT WRITTEN PERMISSION											
QUALITY SYMBOLS ▽ = 0 ▽ = 0 ▽ = 0 ▽ = 0 ▽ = 0 ▽ = 0 ▽ = 0 ▽ = 0 ▽ = 0		GENERAL TOLERANCES (UNLESS SPECIFIED) ANGULAR TOL ± 3.0 ° 4 PLACES ± 3 PLACES ± 2 PLACES ± 0.1 1 PLACE ± 0.2 0 PLACES ± DRAFT WHERE APPLICABLE MUST REMAIN WITHIN DIMENSIONS			DIMENSION UNITS MM ONLY		SCALE 5:1				
EC NO: 614746 DRWN: SRUSS CHKD: JDUNAJ REV APPR: JDUNAJ		2019/03/27 2019/03/29 2019/03/29		DRWN BY TCUCU		DATE 2011/02/24		MINI 50 R/A DUAL ROW RIGHT ANGLE ASSEMBLY SALES DRAWING			
G3		APPR BY SMARCEAU		DATE 2011/12/12		PRODUCT CUSTOMER DRAWING					
RELEASE STATUS P1		RELEASE DATE 2019/03/29 20:37:39		SERIES 34826		MATERIAL NUMBER SEE CHART		CUSTOMER GENERAL MARKET			
				DOCUMENT NUMBER SD-34826-001		DOC TYPE PSD		DOC PART 001		SHEET NUMBER 3 OF 4	

MINI50 RIGHT ANGLE HEADER ASSEMBLIES - PBT RECEPTACLE

MATERIAL NUMBER TAPE AND REEL PACKAGING PK-47799-0001	MATERIAL NUMBER TUBE PACKAGING PK-31301-688	MATERIAL NUMBER TRAY PACKAGING PK-31301-440	CONFIGURATION	CIRCUIT	POL	COLOR	BLADE PLATING	MATING COMPONENT	
								UN-BRIDGED	BRIDGED
34826-8124	34826-9124	34826-0124	USCAR	12	A	BLACK	TIN OVER NICKEL	34824-0124	34824-1124
34826-8125	34826-9125	34826-0125	USCAR	12	B	GRAY	TIN OVER NICKEL	34824-0125	34824-1125
34826-8126	34826-9126	34826-0126	USCAR	12	C	DARK GRAY	TIN OVER NICKEL	34824-0126	34824-1126
34826-8160	34826-9160	34826-0160	MOLEX	16	A	BLACK	TIN OVER NICKEL	34824-0160	34824-1160
34826-8161	34826-9161	34826-0161	MOLEX	16	B	GRAY	TIN OVER NICKEL	34824-0161	34824-1161
34826-8162	34826-9162	34826-0162	MOLEX	16	C	DARK GRAY	TIN OVER NICKEL	34824-0162	34824-1162
34826-8200	34826-9200	34826-0200	MOLEX	20	A	BLACK	TIN OVER NICKEL	34824-0200	34824-1200
34826-8201	34826-9201	34826-0201	MOLEX	20	B	GRAY	TIN OVER NICKEL	34824-0201	34824-1201
34826-8202	34826-9202	34826-0202	MOLEX	20	C	DARK GRAY	TIN OVER NICKEL	34824-0202	34824-1202
34826-8240	34826-9240	34826-0240	MOLEX	24	A	BLACK	TIN OVER NICKEL	34824-0240	34824-1240
34826-8241	34826-9241	34826-0241	MOLEX	24	B	GRAY	TIN OVER NICKEL	34824-0241	34824-1241
34826-8242	34826-9242	34826-0242	MOLEX	24	C	DARK GRAY	TIN OVER NICKEL	34824-0242	34824-1242

MINI50 RIGHT ANGLE HEADER ASSEMBLIES - ECOPAXX RECEPTACLE

MATERIAL NUMBER TAPE AND REEL PACKAGING PK-47799-0001	MATERIAL NUMBER TUBE PACKAGING PK-31301-688	MATERIAL NUMBER TRAY PACKAGING PK-31301-440	CONFIGURATION	CIRCUIT	POL	COLOR	BLADE PLATING	MATING COMPONENT	
								UN-BRIDGED	BRIDGED
34826-8160	34826-9160	34826-0160	MOLEX	16	A	BLACK	TIN OVER NICKEL	34824-1164	34824-0164
34826-8161	34826-9161	34826-0161	MOLEX	16	B	GRAY	TIN OVER NICKEL	34824-1165	34824-0165
34826-8162	34826-9162	34826-0162	MOLEX	16	C	DARK GRAY	TIN OVER NICKEL	34824-1166	34824-0166
34826-8200	34826-9200	34826-0200	MOLEX	20	A	BLACK	TIN OVER NICKEL	34824-1204	34824-0204
34826-8201	34826-9201	34826-0201	MOLEX	20	B	GRAY	TIN OVER NICKEL	34824-1205	34824-0205
34826-8202	34826-9202	34826-0202	MOLEX	20	C	DARK GRAY	TIN OVER NICKEL	34824-1206	34824-0206
34826-8240	34826-9240	34826-0240	MOLEX	24	A	BLACK	TIN OVER NICKEL	34824-1244	34824-0244
34826-8241	34826-9241	34826-0241	MOLEX	24	B	GRAY	TIN OVER NICKEL	34824-1245	34824-0245
34826-8242	34826-9242	34826-0242	MOLEX	24	C	DARK GRAY	TIN OVER NICKEL	34824-1246	34824-0246

QUALITY SYMBOLS □ = 0 ▽ = 0 ▽ = 0 ▽ = 0 ▽ = 0 ▽ = 0 ▽ = 0 ▽ = 0 ▽ = 0 ▽ = 0	THIS DRAWING CONTAINS INFORMATION THAT IS PROPRIETARY TO MOLEX ELECTRONIC TECHNOLOGIES, LLC AND SHOULD NOT BE USED WITHOUT WRITTEN PERMISSION										
	2019/03/27	GENERAL TOLERANCES (UNLESS SPECIFIED)			DIMENSION UNITS	SCALE	 MINI 50 R/A DUAL ROW RIGHT ANGLE ASSEMBLY SALES DRAWING PRODUCT CUSTOMER DRAWING				
	2019/03/29	ANGULAR TOL ± 3.0 °			MM ONLY	5:1					
	2019/03/29	4 PLACES ±	TCUCU		DATE	2011/02/24					
		3 PLACES ±	TMACHUGA		DATE	2011/02/25					
		2 PLACES ± 0.1	SMARCEAU		DATE	2011/12/12					
		1 PLACE ± 0.2	DRAWING SIZE		THIRD ANGLE PROJECTION						
		0 PLACES ±	DRAFT WHERE APPLICABLE MUST REMAIN WITHIN DIMENSIONS		D						
	EC NO: 614746	DRWN: SRUSS	CHKD: JDUNAJ	REV APPR: JDUNAJ	SERIES	MATERIAL NUMBER					CUSTOMER
	G3	34826	SEE CHART	GENERAL MARKET	DOCUMENT NUMBER	DOC TYPE					DOC PART
		SD-34826-001	PSD	001	4 OF 4						