

1

2

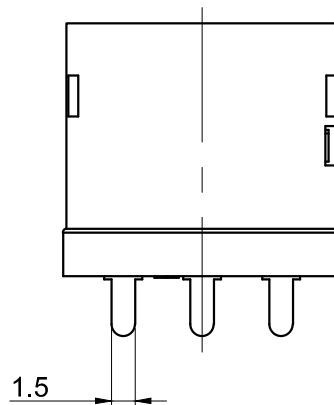
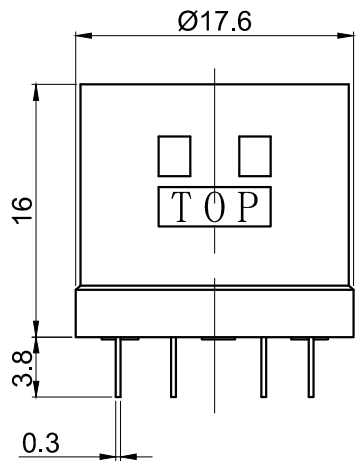
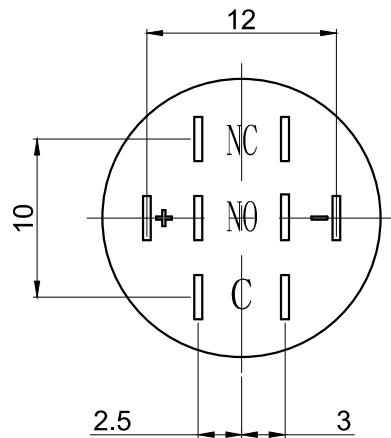
3

4

5

6

7

FOR
客户名称APPROVED
客户确认签字ATTN
销售负责人

Part Number: S05 PCB socket

It is used for:

LAS1-A Series

LAS1-AP Series

LAS1-AGQ Series

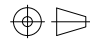
LAS1-AGQ30 Series

Fit for PCB slot

MATERIALS:

1.Terminal: Brass.

2.Base: PA.

BRAND 品牌 ONPOW		红波按钮制造有限公司 ONPOW PUSH BUTTON MANUFACTURE CO.,LTD.	
THESE DRAWINGS AND SPECIFICATIONS ARE THE PROPERTY OF ONPOW PUSH BUTTON MANUFACTURE CO.,LTD. AND SHALL NOT BE REPRODUCED COPIED OR USED IN ANY MANNER WITHOUT THE PRIOR WRITTEN CONSENT OF ONPOW PUSH BUTTON MANUFACTURE CO.,LTD.		USED 用途	APPD 审核 CH 2019/06/26
		FINISH 处理	CHKD 校对 NCH 2019/06/26
		SCALE 比例 2 / 1	UNIT 单位 mm
		DR. 制图 ZPD 2019/06/26	
DIMENSIONS		TOLERANCE	
0.00 TO 18.00mm		±0.43mm	
18.01 TO 30.00mm		±0.52mm	
30.01 TO 50.00mm		±0.62mm	
50.01 TO 80.00mm		±0.74mm	
TITLE 名称 S05 Socket			
DWG NO. 图号 S05		SIZE 图纸 A4	
FILE NAME 档案名称 S05.DWG		SHEET 张 1 / 1	REV. 更改 1

1

2

3

4

5

6

7