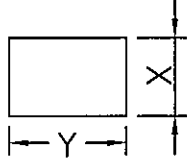
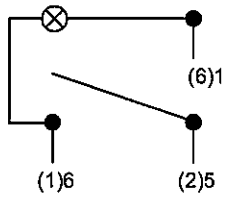
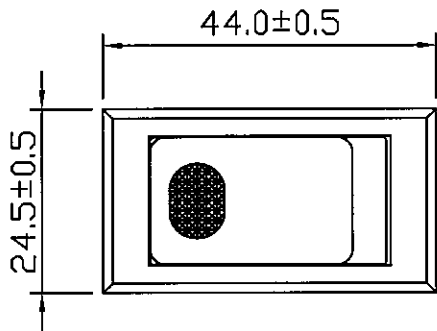
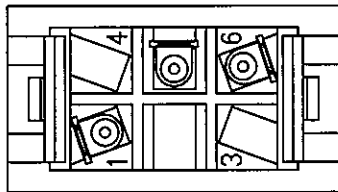
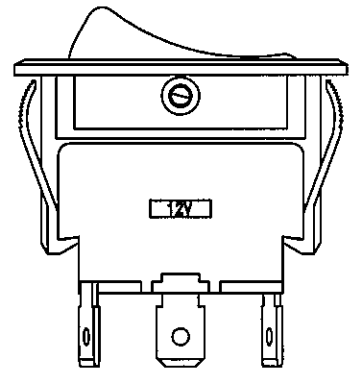
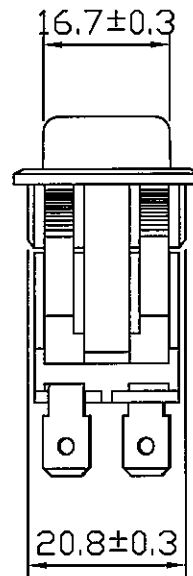
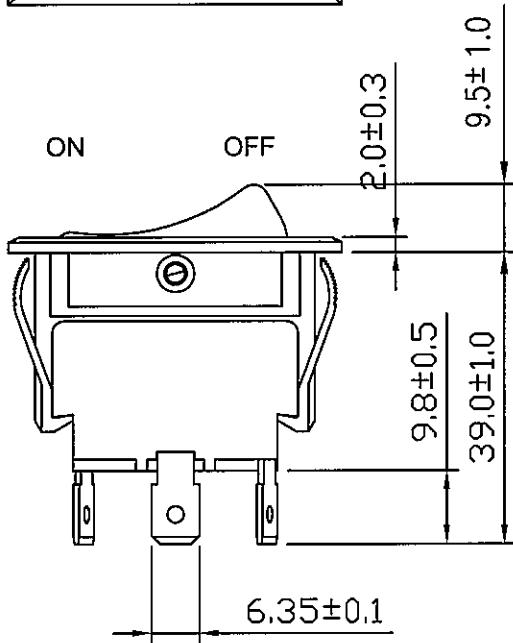


Rating	20A 12VDC													
Contact Resistance	50m ohm Max.													
Insulation Resistance	DC 500V 100M ohm Min.													
Dielectric Strength	AC 1500V 1 minute													
Switch Function	3P SPST ON-OFF (Illuminated)													
		<table border="1"> <thead> <tr> <th>Thickness</th> <th>X</th> <th>Y</th> </tr> </thead> <tbody> <tr> <td>0.75...1.25</td> <td>21.2±0.1</td> <td>37.3-0.1</td> </tr> <tr> <td>1.25...2</td> <td>21.2±0.1</td> <td>37.5-0.1</td> </tr> <tr> <td>2...3</td> <td>21.2±0.1</td> <td>37.9-0.1</td> </tr> </tbody> </table>	Thickness	X	Y	0.75...1.25	21.2±0.1	37.3-0.1	1.25...2	21.2±0.1	37.5-0.1	2...3	21.2±0.1	37.9-0.1
Thickness	X	Y												
0.75...1.25	21.2±0.1	37.3-0.1												
1.25...2	21.2±0.1	37.5-0.1												
2...3	21.2±0.1	37.9-0.1												



Material:  
 Frame: PF, Black  
 Actuator: Nylon-66, Black  
 Lens: PC, Green  
 Printed: None



C81R131R13-220BA-01(1825184)

						△	
						△	
Date		Name		Description		NO	
Drawn	Checked	Approved	SCI BOM NO.	1825184	Model Name	ROCKER SWITCH	
曹盈芳		<i>[Signature]</i>	Customer No.		Model No.	R13-220BA-01	Rev.
07/01/11		7/1/11	Unit	mm	Shin Chin Industrial Co., Ltd.		0