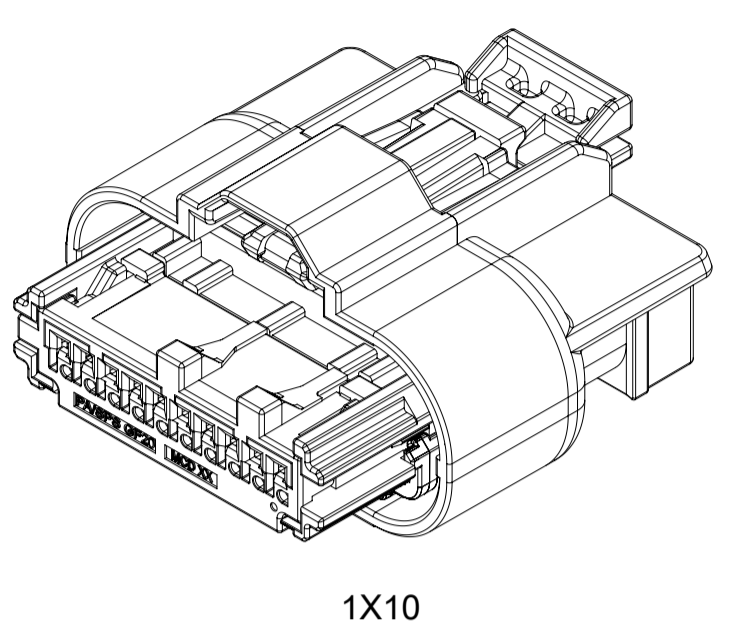


TABLE OF CONTENTS	
SHEET NO.	SHEET DESCRIPTION
1	NOTES AND PART NUMBER CHART
2	KEY CONFIGURATION
3	RECEPTACLE CONNECTOR ASSEMBLY

PART NUMBER AND MATING INTERFACE CHART						
PART NUMBER	KEY	COVER COLOR	TERMINAL POSITIONS PLUGGED	CPA INCLUDED	INTERFACE PART NUMBER	
349671001	A	BLACK	NONE	YES	349681801	
349671002	B	LIGHT GRAY	NONE	YES	349681802	
349671003	C	DARK GRAY	NONE	YES	349681803	
349671004	D	STONE GRAY	NONE	YES	349681804	
349671005	A	BLACK	NONE	NO	349681801	
349671006	B	LIGHT GRAY	NONE	NO	349681802	
349671007	C	DARK GRAY	NONE	NO	349681803	
349671008	D	STONE GRAY	NONE	NO	349681804	
349671151	A	BLACK	5, 6, 7, 8	YES	349681801	

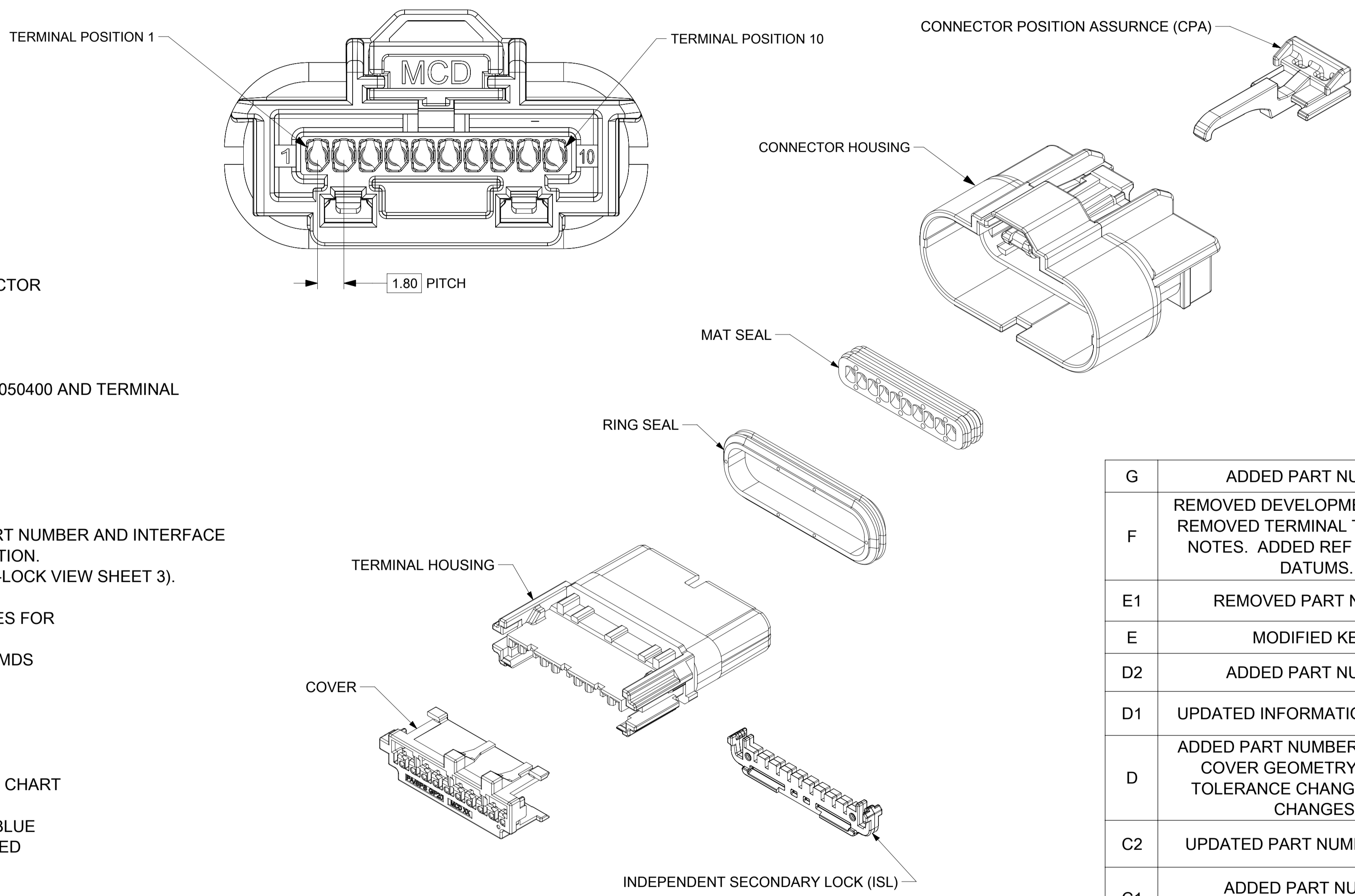


1X10

NOTES: VALID UNLESS OTHERWISE SPECIFIED

1. GENERAL:
 - A. APPLICATION SPECIFICATION SEE: AS-34894-0001
-CONTAINS: PRODUCT INTRODUCTION, PRODUCT SUMMARY, CONNECTOR ASSEMBLY, PACKAGING INFORMATION, CONNECTOR MATING, SERVICE INSTRUCTIONS, ELECTRICAL CONTINUITY CHECKING, CRIMPING, AND TROUBLESHOOTING.
 - B. TERMINALS TO BE USED WITH THIS ASSEMBLY:
MOLEX CTX50 SEALED RECEPTACLE TERMINALS
FOR INFORMATION ON TERMINALS SEE MOLEX DRAWING 349050400 AND TERMINAL PRODUCT SPECIFICATION PS-34905-001.
 - C. CONNECTOR PRODUCT SPECIFICATION SEE 349670001 PS
CONTAINS: PRODUCT INTRODUCTION, PRODUCT SUMMARY, RATINGS AND PRODUCT VALIDATION.
VALIDATED TO USCAR 2 REV 6.
RATINGS: T3 V1 S2
 - D. DESIGNED TO MATE WITH DEVICE INTERFACE AS SPECIFIED IN PART NUMBER AND INTERFACE CHART. SEE MOLEX DRAWING 349681800 FOR INTERFACE SPECIFICATION.
 - E. ASSEMBLY SHIPPED WITH ISL IN PRE-LOCK POSITION (SEE ISL PRE-LOCK VIEW SHEET 3).
 - F. PACKAGING SPECIFICATION PER MOLEX DRAWING: PK-31301-898
 - G. PARTS MUST BE IN COMPLIANCE TO MOLEX CHEMICAL SUBSTANCES FOR PRODUCTS AND PACKAGING SPECIFICATION: ES-40000-5016
 - H. DATA MUST BE SUBMITTED UNDER THE MOLEX PART NUMBER TO IMDS (COMPANY ID#13255)
2. DESIGN - MATERIALS:

CONNECTOR HOUSING:	SPS/NYLON GF20 BLACK
TERMINAL HOUSING:	SPS/NYLON GF20 BLACK
COVER:	SPS/NYLON GF20 COLORS IN PART NUMBER CHART
ISL:	SPS GF30 NATURAL
MAT SEAL:	INHERENTLY LUBRICATED SILICONE LIGHT BLUE
RING SEAL:	INHERENTLY LUBRICATED SILICONE RUST RED
CPA (OPTIONAL):	PBT GF30 RED
3. DESIGN - GEOMETRY:
 - A. ALL GRAPHIC DATA IS BASIC (NO TOLERANCE) AND MUST BE TAKEN FROM THE DATA FILE AT ITS LATEST REVISION.
 - B. GEOMETRIC DIMENSIONS AND TOLERANCES PER ASME Y14.5M-2009
 - C. EDGES AND UNDIMENSIONED DETAILS PER ISO13715
 - D. CORNERS SHOWN AS SHARP TO BE R 0.2 MAX.
 - E. LETTERING SHALL BE 0.15 MAX RAISED IN 0.25 MAX RECESS PAD.
THIS INCLUDES RECYCLING CODE, CAVITY ID, VENDOR IDENTIFICATION, AND CUSTOMER MATERIAL NUMBER.
 - F. VISUAL DEFECTS SHALL MEET COSMETIC STANDARD PS-45499-002 (Class B).
 - G. PARTS ARE LASER MARKED WITH PART NUMBER AND DATE CODE



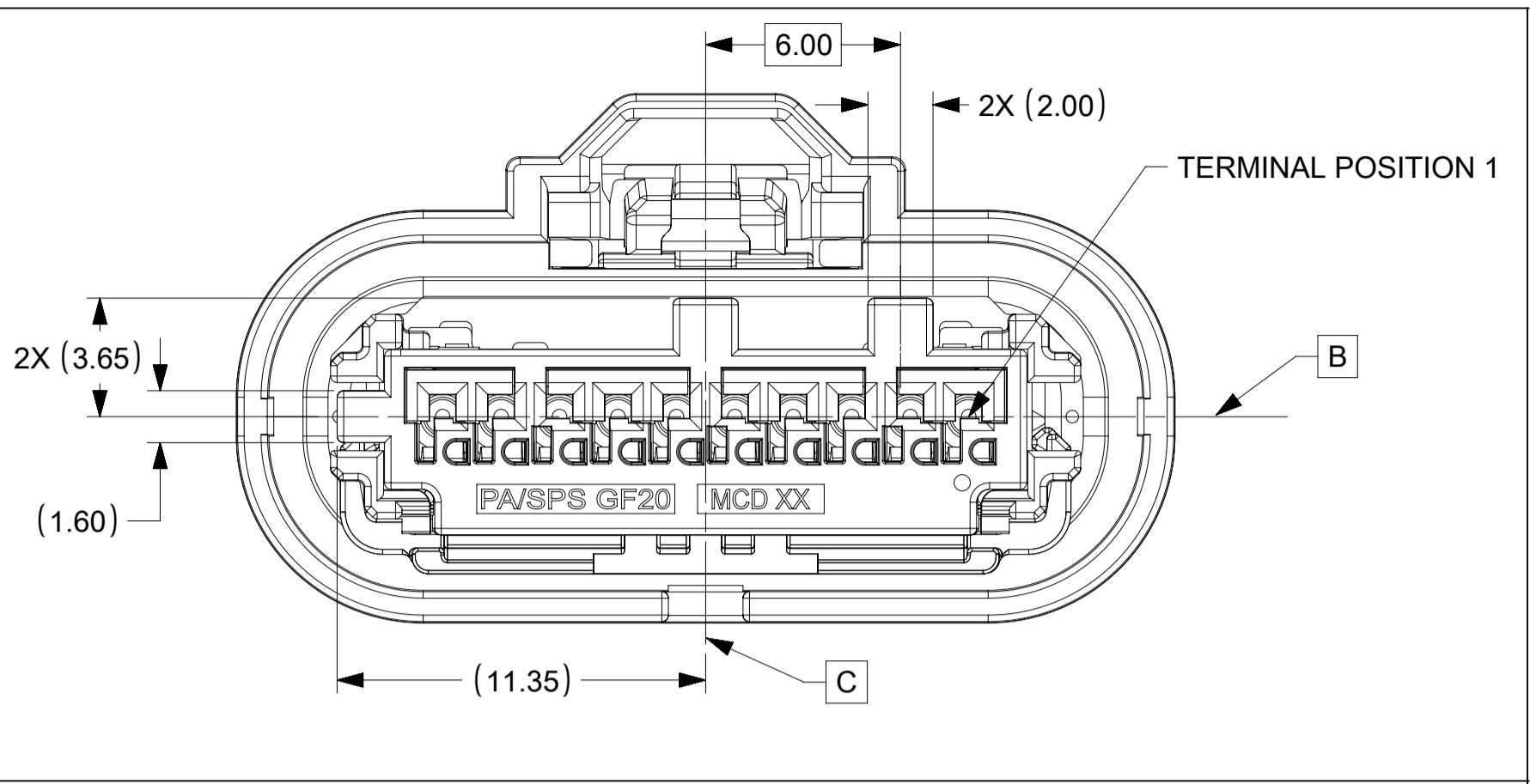
REV	REV DESCRIPTION
G	ADDED PART NUMBER
F	REMOVED DEVELOPMENT NOTICE. REMOVED TERMINAL TABLE FROM NOTES. ADDED REF DIMS TO ID DATUMS.
E1	REMOVED PART NUMBER
E	MODIFIED KEYS
D2	ADDED PART NUMBER
D1	UPDATED INFORMATION IN NOTES
D	ADDED PART NUMBER TO CHART. COVER GEOMETRY UPDATE. TOLERANCE CHANGES. NOTES CHANGES.
C2	UPDATED PART NUMBER CHART
C1	ADDED PART NUMBER. CORRECTIONS & CLARIFICATIONS
C	RELEASE

INSPECTION NUMBER LOG	
LAST NUMBER:	15
ADDED:	2,4,7,8,9,13,14

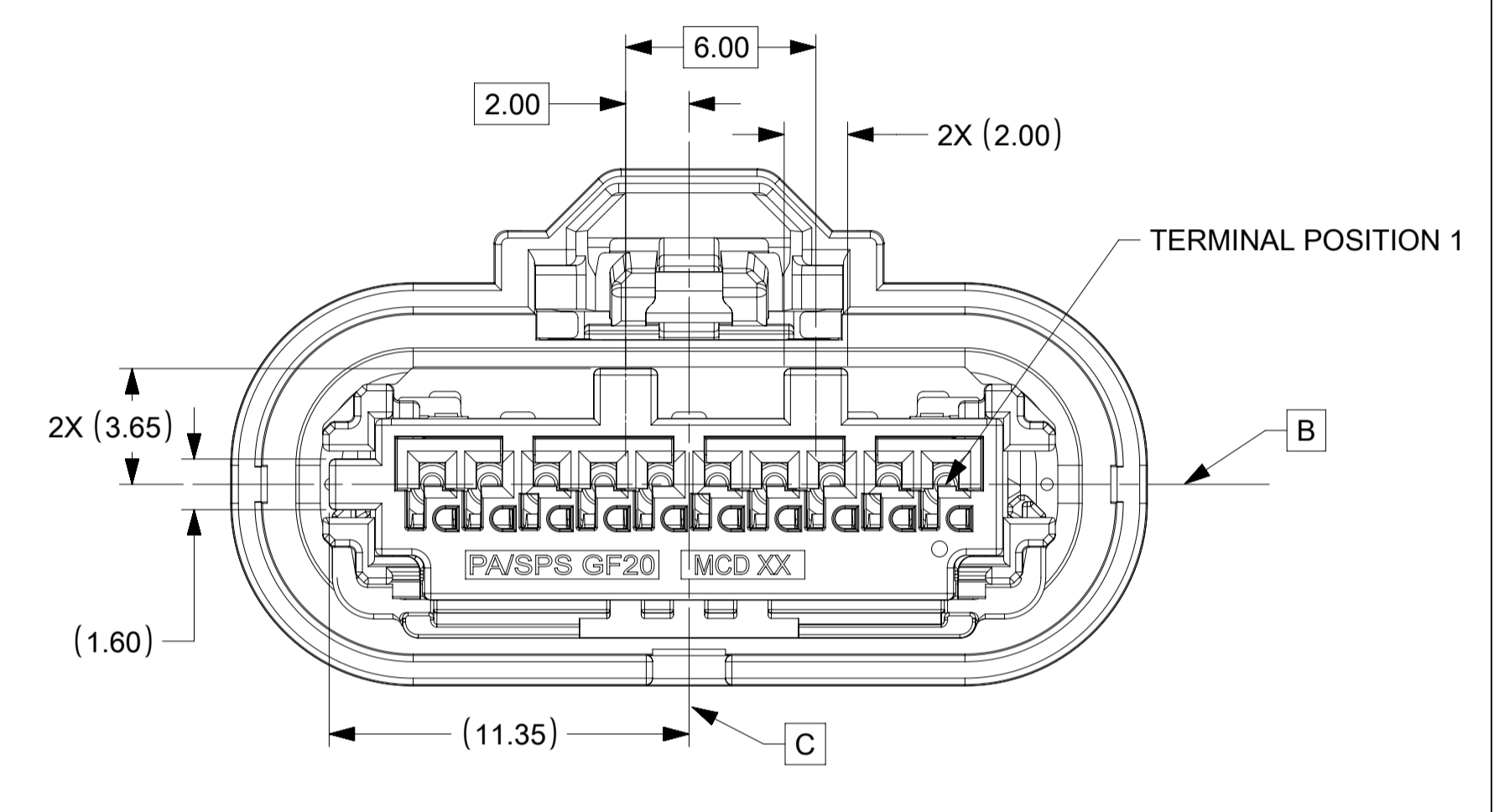
THIS DRAWING CONTAINS INFORMATION THAT IS PROPRIETARY TO MOLEX ELECTRONIC TECHNOLOGIES, LLC AND SHOULD NOT BE USED WITHOUT WRITTEN PERMISSION

ADDED PART NUMBER EC NO: 609707 DRWN: JRUTTER CHKD: JRUTTER REV: APPR: JCONDON	2018/12/27 2018/12/28 2019/01/02	GENERAL TOLERANCES (UNLESS SPECIFIED) ANGULAR TOL ± 0.3 ° 4 PLACES ± 3 PLACES ± 2 PLACES ± 0.1 1 PLACE ± 0.2 0 PLACES ±	DIMENSION UNITS: mm SCALE: 1:1 DRWN BY: MNS02 DATE: 2016/04/26 CHK'D BY: KDEKOSKI DATE: 2016/05/19 APPR BY:	<p>MINI50 SEALED 1X10 RCPT ASSY</p> <p>PRODUCT CUSTOMER DRAWING</p>	
	DRAFT WHERE APPLICABLE MUST REMAIN WITHIN DIMENSIONS		DRAWING SIZE: A1 THIRD ANGLE PROJECTION		SERIES: 34967 MATERIAL NUMBER: SEE CHART CUSTOMER:
	RELEASE STATUS: P1 RELEASE DATE: 2019/01/02 17:11:02		DOCUMENT NUMBER: 349671000 DOC TYPE: PSD DOC PART: 000 SHEET NUMBER: 1 OF 3		CUSTOMER:
	18 17 16 15 14 13 12 11 10 9 8 7 6 5 4 3 2 1		18 17 16 15 14 13 12 11 10 9 8 7 6 5 4 3 2 1		

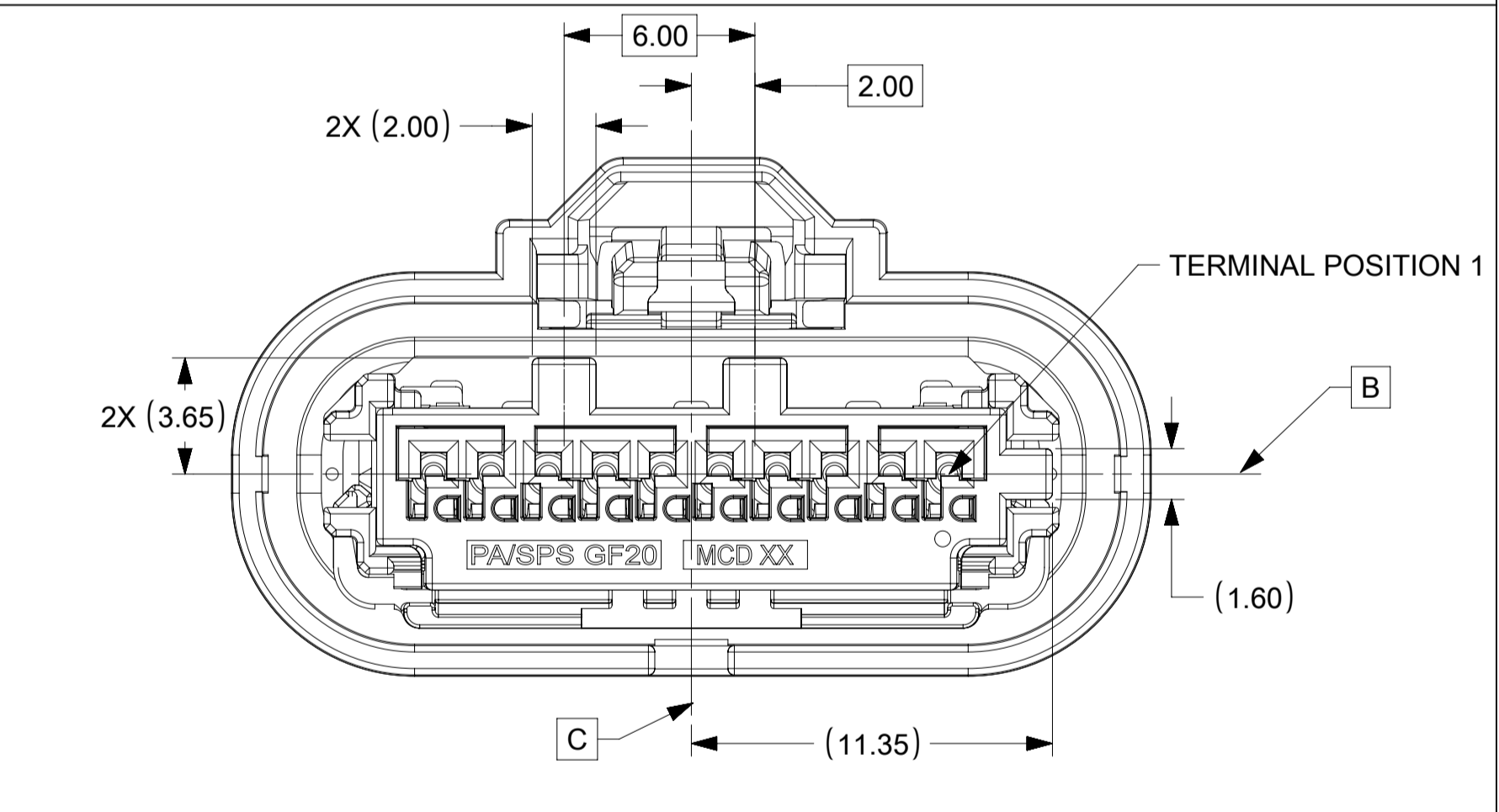
SHEET DESCRIPTION
KEY CONFIGURATIONS



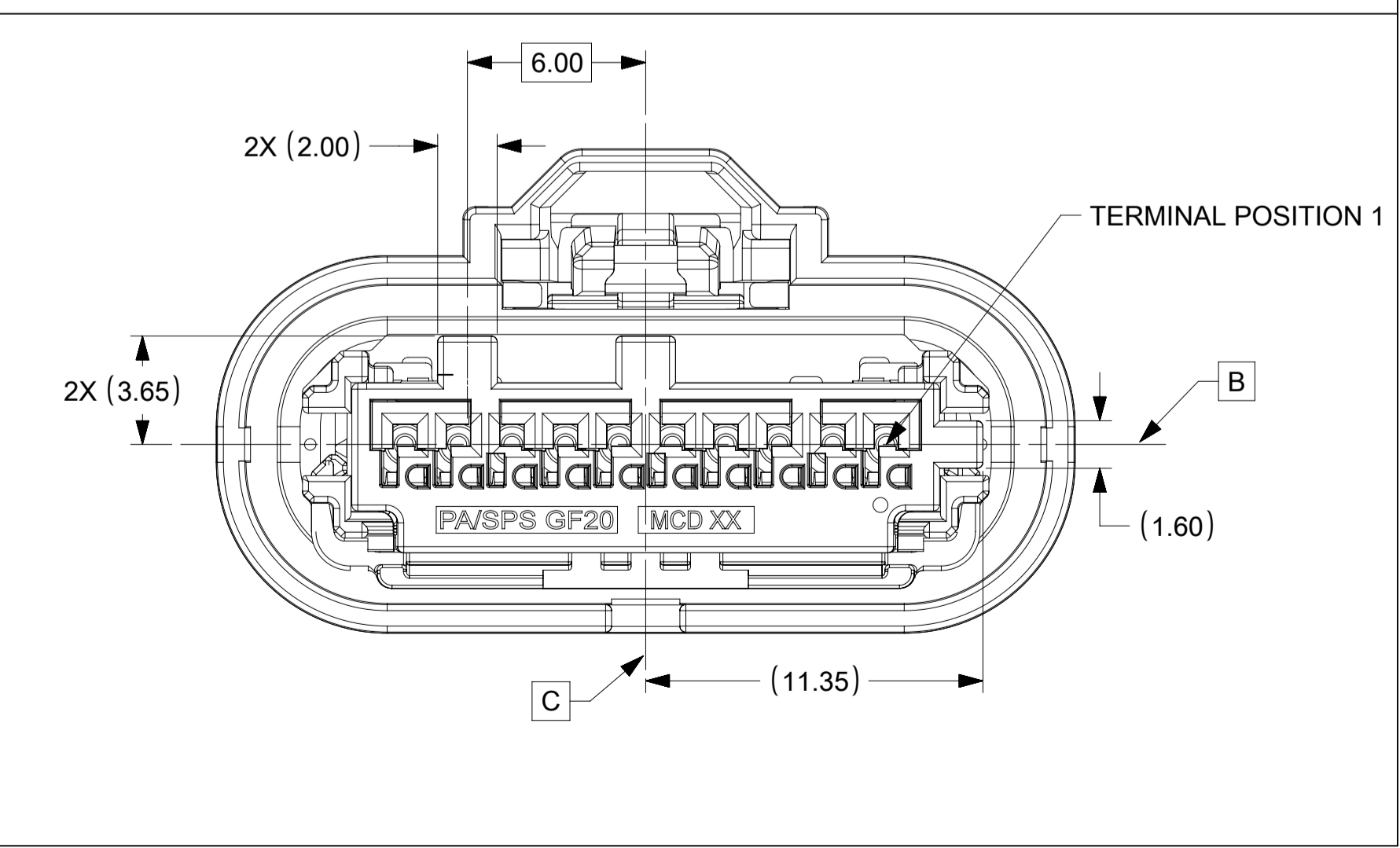
KEY A



KEY B



KEY C



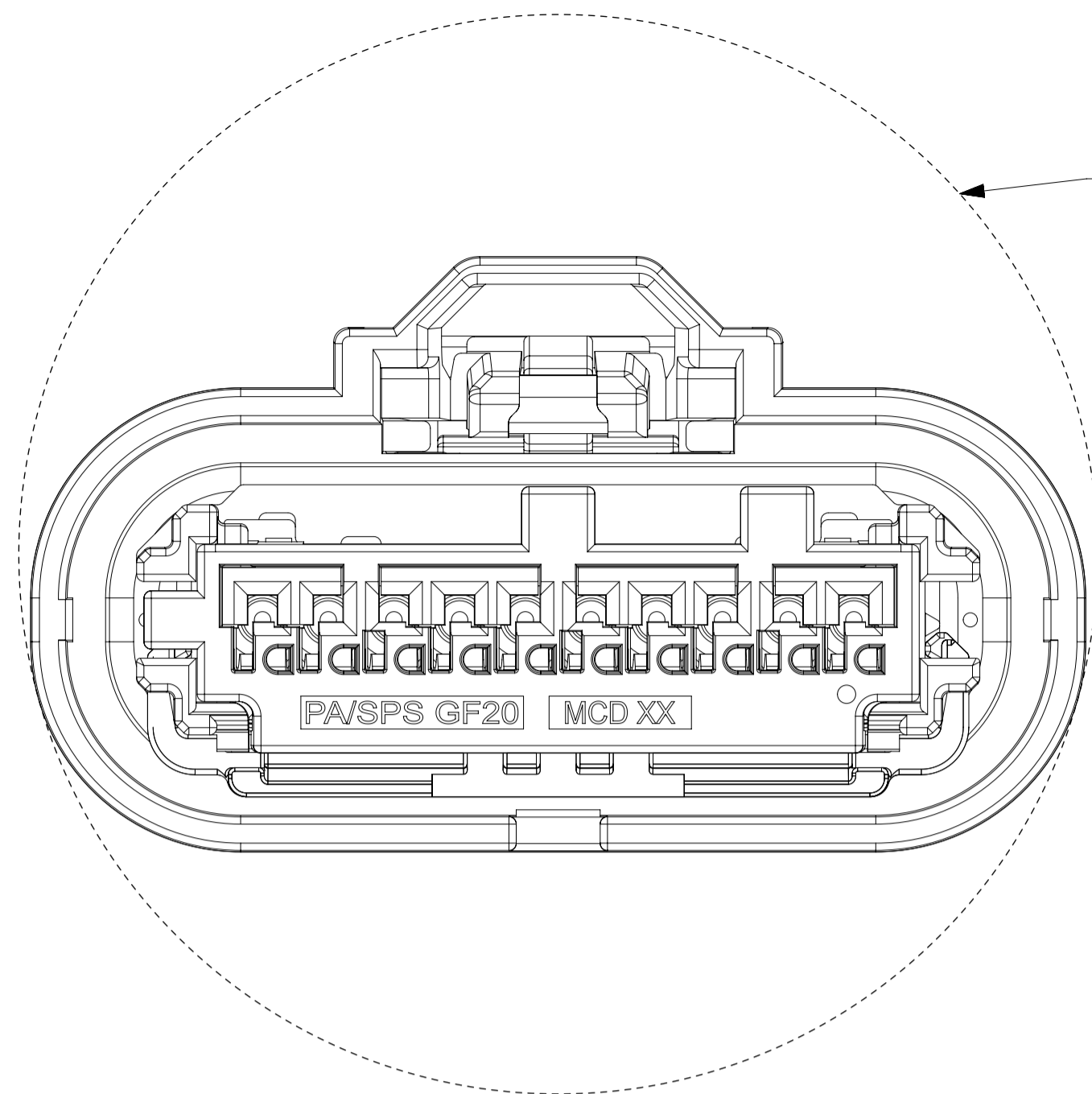
KEY D

THIS DRAWING CONTAINS INFORMATION THAT IS PROPRIETARY TO MOLEX ELECTRONIC TECHNOLOGIES, LLC AND SHOULD NOT BE USED WITHOUT WRITTEN PERMISSION

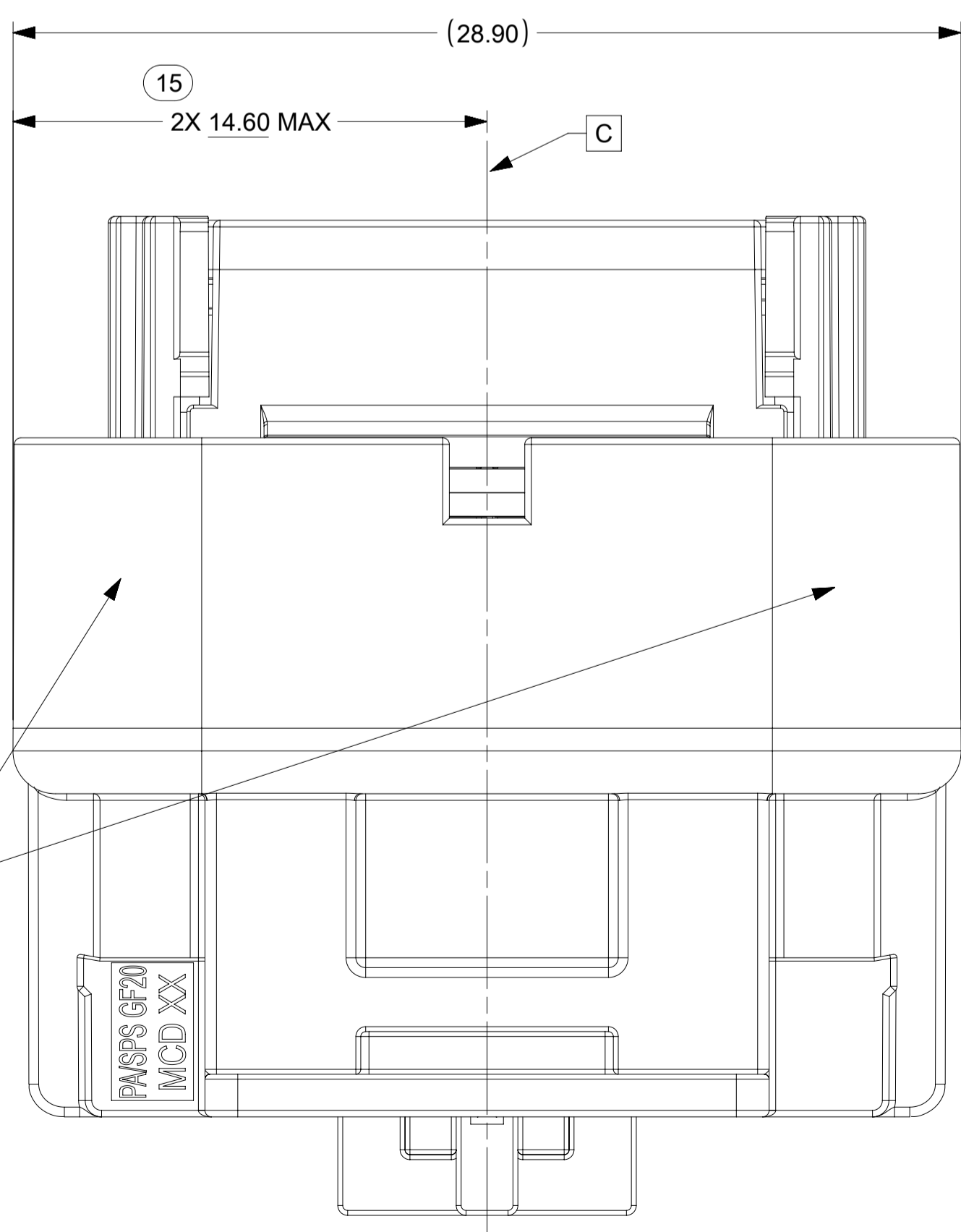
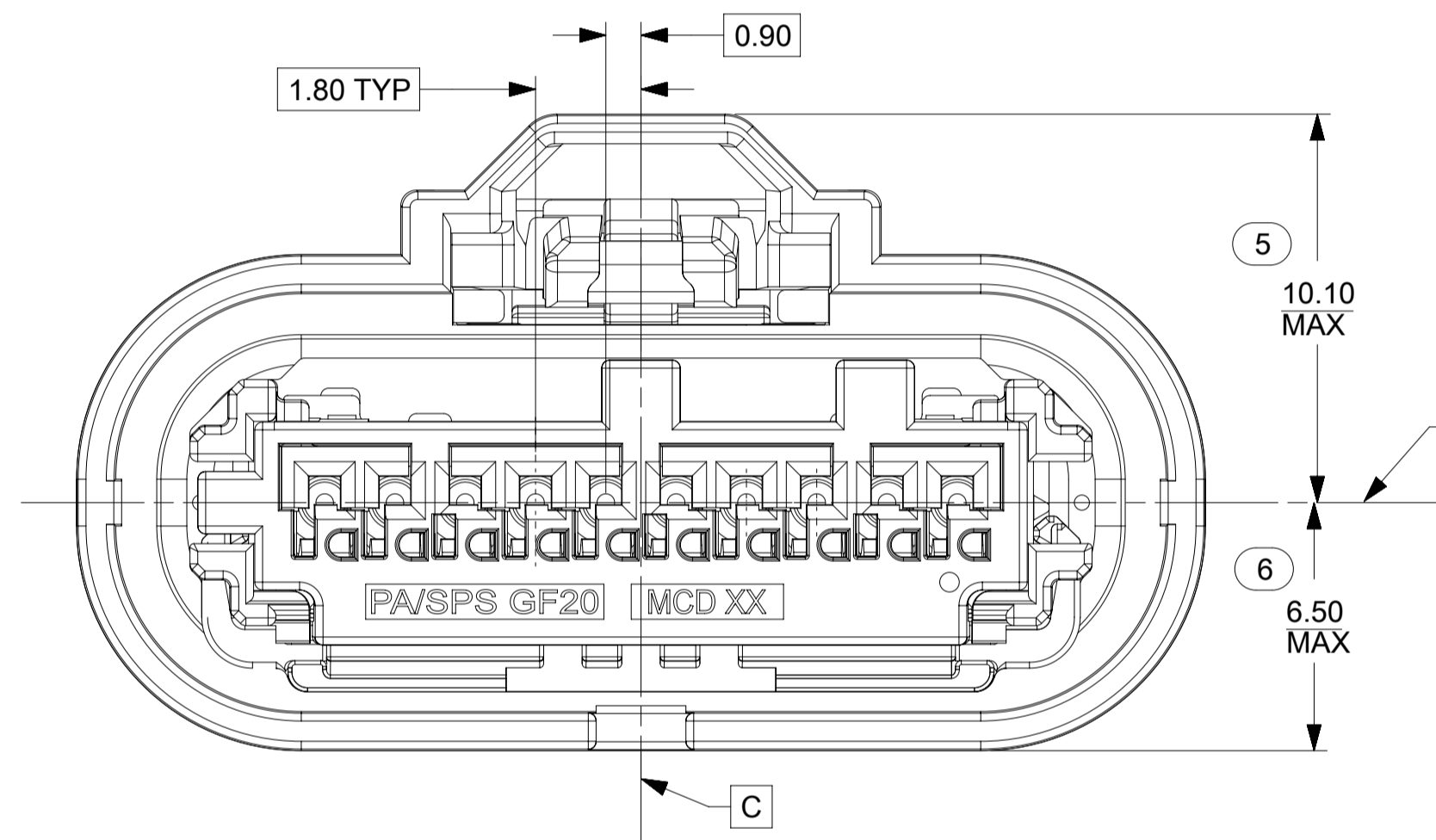
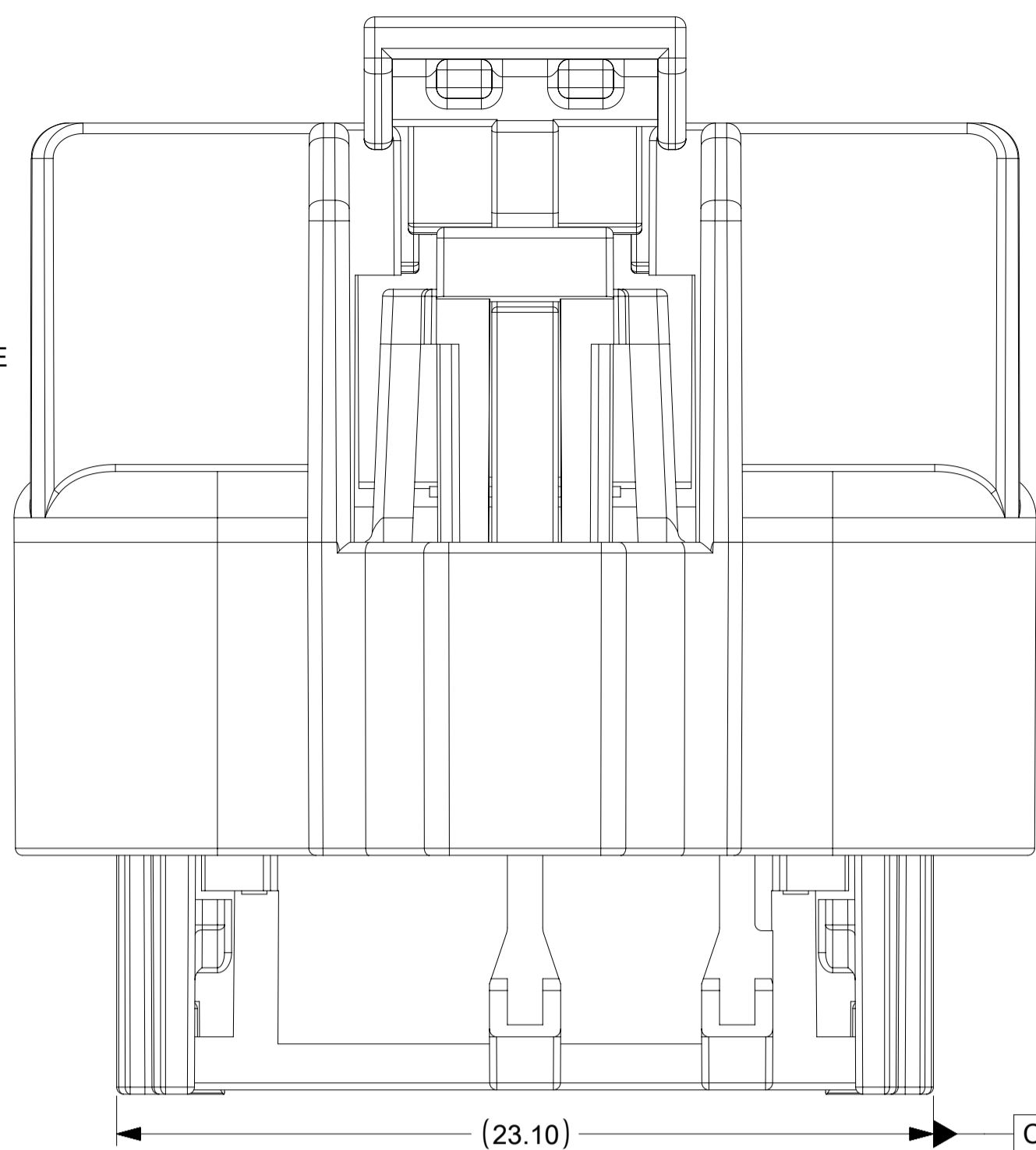
ADDED PART NUMBER EC NO: 609707 DRWN: JRUTTER CHKD: JRUTTER REV APPR: JCONDON	2018/12/27	GENERAL TOLERANCES (UNLESS SPECIFIED) ANGULAR TOL ± 0.3 ° 4 PLACES ± 3 PLACES ± 2 PLACES ± 0.1 1 PLACE ± 0.2 0 PLACES ± DRAFT WHERE APPLICABLE MUST REMAIN WITHIN DIMENSIONS	DIMENSION UNITS	SCALE			
	2018/12/28		mm	1:1			
	2019/01/02		DRWN BY	DATE		MNS02	2016/04/26
			CHK'D BY	DATE			
			APPR BY	DATE		KDEKOSKI	2016/05/19
		DRAWING SIZE	THIRD ANGLE PROJECTION				
		A1					
					SERIES		
					MATERIAL NUMBER		
					CUSTOMER		
					34967		
					DOCUMENT NUMBER		
					349671000		
					DOC TYPE		
					PSD		
					DOC PART		
					000		
					SHEET NUMBER		
					2 OF 3		

SHEET DESCRIPTION

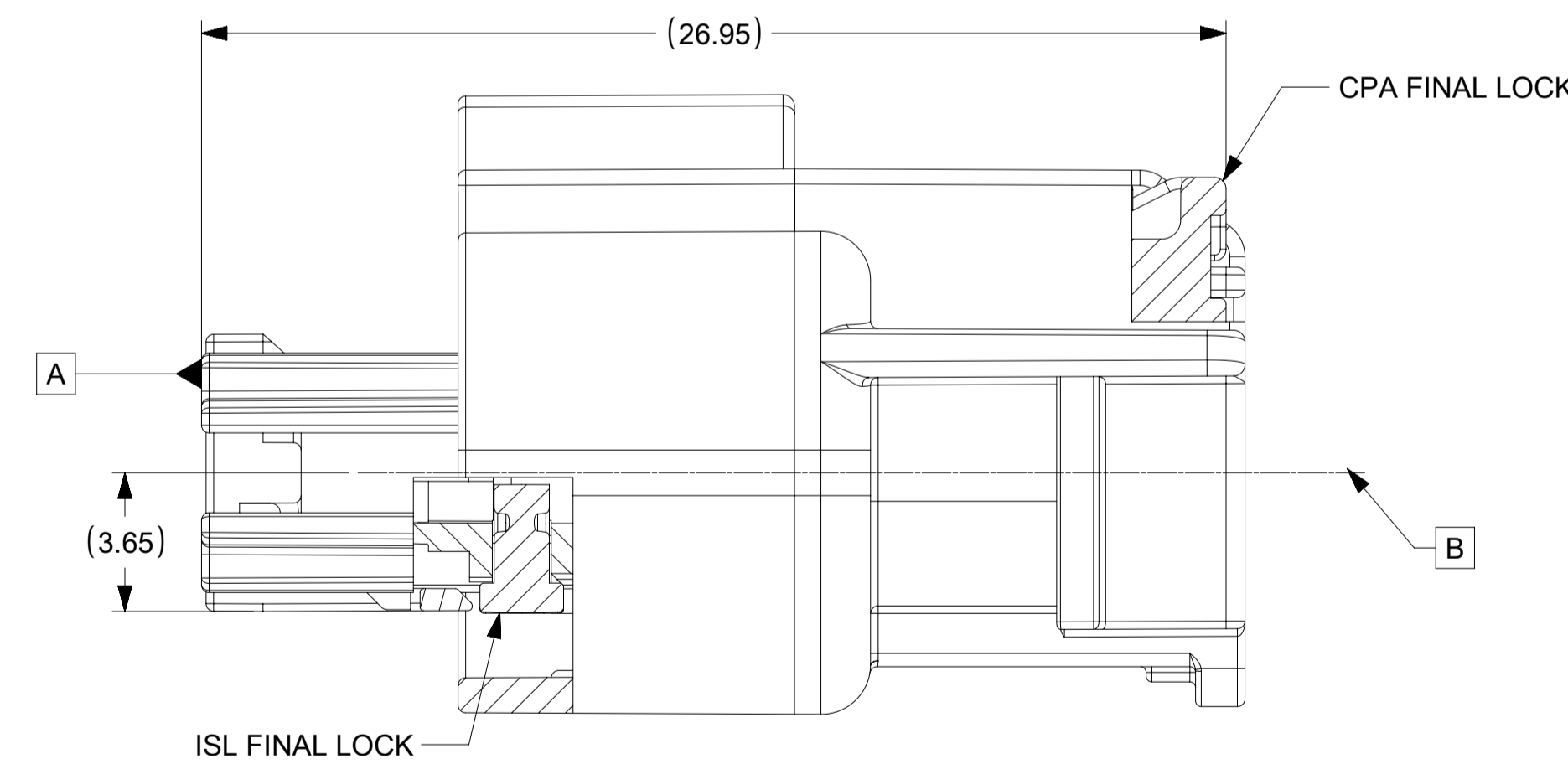
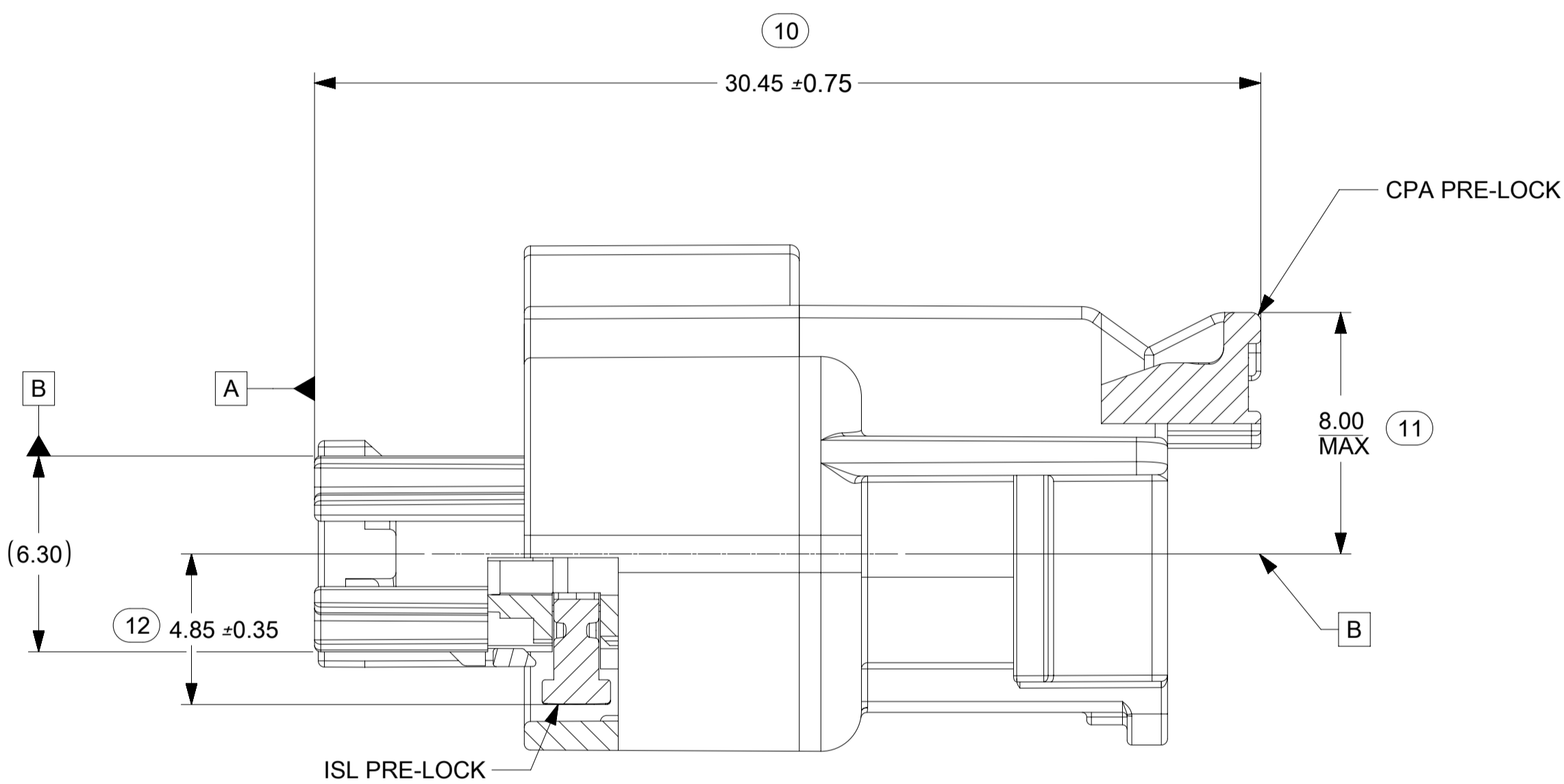
RECEPTACLE CONNECTOR ASSEMBLY



①
 $\varnothing 29.44$
 MIN PASS-THRU
 WITH NO CLEARANCE



LASER MARKING:
 PART # & DATE CODE
 SEE NOTE 3g.



THIS DRAWING CONTAINS INFORMATION THAT IS PROPRIETARY TO MOLEX ELECTRONIC TECHNOLOGIES, LLC AND SHOULD NOT BE USED WITHOUT WRITTEN PERMISSION

EC NO: 609707 DRWN: JRUTTER CHKD: JRUTTER REV APPR: JCONDON	2018/12/27 2018/12/28 2019/01/02	GENERAL TOLERANCES (UNLESS SPECIFIED) ANGULAR TOL ± 0.3 ° 4 PLACES ± 3 PLACES ± 2 PLACES ± 0.1 1 PLACE ± 0.2 0 PLACES ±	DIMENSION UNITS: mm SCALE: 1:1 DRWN BY: MNS02 DATE: 2016/04/26 CHKD BY: DATE: APPR BY: KDEKOSKI DATE: 2016/05/19	molex® MINI50 SEALED 1X10 RCPT ASSY PRODUCT CUSTOMER DRAWING	
	DRAFT WHERE APPLICABLE MUST REMAIN WITHIN DIMENSIONS		DRAWING SIZE: A1 THIRD ANGLE PROJECTION	SERIES: 34967 MATERIAL NUMBER: SEE CHART CUSTOMER:	
	DOCUMENT NUMBER: 349671000		DOC TYPE: PSD DOC PART: 000	SHEET NUMBER: 3 OF 3	
	RELEASE STATUS: P1 RELEASE DATE: 2019/01/02 17:11:02				
	18 17 16 15 14 13 12 11 10 9 8 7 6 5 4 3 2 1				

TABLE OF CONTENTS	
SHEET NO.	SHEET DESCRIPTION
1	INTERFACE NOTES AND BOM
2	INTERFACE KEY CONFIGURATIONS
3	INTERFACE DEFINITION
4	INTERFACE DATUM TARGETS

MATING INTERFACE CHART			
DESCRIPTION	COLOR	MODEL NUMBER	KEY
1X10, KEY A, BLACK	BLACK	349681801	A
1X10, KEY B, LIGHT GRAY	LIGHT GRAY	349681802	B
1X10, KEY C, DARK GRAY	DARK GRAY	349681803	C
1X10, KEY D, STONE GRAY	STONE GRAY	349681804	D

NOTES: VALID UNLESS OTHERWISE SPECIFIED

1. GENERAL:

REFER TO "SAE/USCAR 12 CONNECTOR GUIDELINES" AND "SAE/USCAR 2 PERFORMANCE SPECIFICATION FOR AUTOMOTIVE ELECTRICAL CONNECTOR SYSTEMS" FOR ADDITIONAL REQUIREMENTS.

2. DESIGN - MATERIALS:

- a. HOUSING: SPS/NYLON 20% GLASS FILLED OR EQUIVALENT
FLAMMABILITY REQUIREMENT: PER ISO3795 OR GM3191
 - 1. BURN RATE 100mm/MIN MAXIMUM
 - 2. MATERIAL MUST BE SELF EXTINGUISHING
- b. BLADE TERMINAL: SEE MOLEX SALES DRAWING 347350050. FOR MATERIAL, DIMENSIONAL, PLATING AND COATING REQUIREMENTS AND ANY BLADE TERMINAL DESIGN INFORMATION NOT SHOWN ON REFERENCED OR THIS DRAWING SEE EWCAP DWG NO. EWCAP-001.
 - 1. TIN PLATING: 2.5-4.0 MICROMETERS MATTE TIN OVER 1.25-2.25 MICROMETERS DUCTILE SULFAMATE NICKEL
 - 2. SILVER PLATING: 1.9-3.3 MICROMETERS SILVER OVER 1.0-1.8 MICROMETERS DUCTILE SULFAMATE NICKEL.
ANTI-TARNISH: SYNTHETIC HYDROCARBON CONTACT SURFACE FINISH OR EQUIVALENT APPLIED WITHOUT VOID TO CONTACT AREA

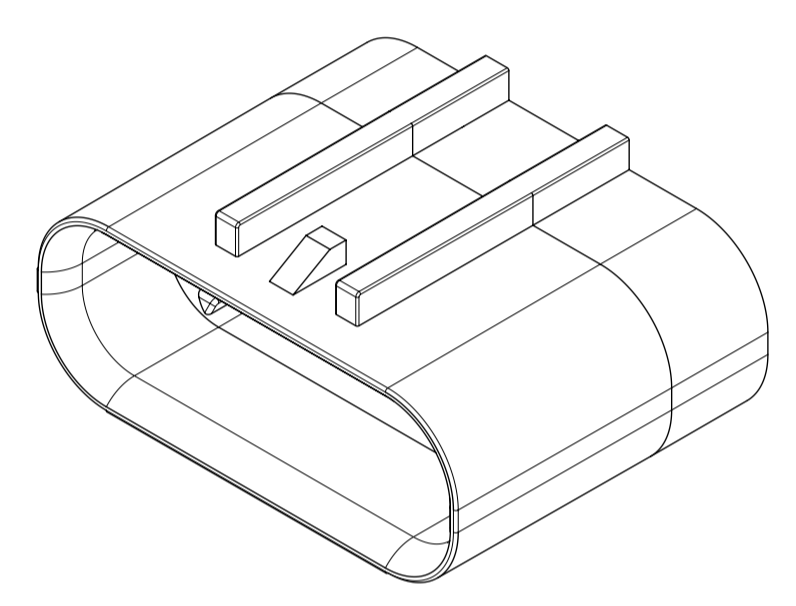
c. STANDARD COLORS FOR KEYING (SEE CHART). DEVATION REQUIRES APPROVAL OF AUTHORIZED PERSON.

3. DESIGN - GEOMETRY:

- a. THE 3-D CAD DATA IS BASIC (WITHOUT TOLERANCE) AND THE MASTER FOR THIS PART WITH THE EXCEPTION OF UNDERLINED DIMENSIONS. DIMENSIONAL INFORMATION NOT SHOWN IN THIS DRAWING IS DEFINED BY THE DATA FILE AT ITS LATEST REVISION.
- b. PRODUCT DESIGN MODEL NUMBER(S): SEE MATING INTERFACE CHART
- c. GEOMETRIC DIMENSIONS AND TOLERANCES PER ASME Y14.5M - 2009
- d. GENERAL TOLERANCES: SEE TITLE BLOCK
- e. EDGES AND UNDIMENSIONED DETAILS PER ISO13715
- f. CORNERS SHOWN AS SHARP TO BE R 0.2 MAX.
- g. LETTERING SHALL BE 0.15 MAX RAISED IN 0.25 MAX RECESS PAD.
THIS INCLUDES RECYCLING CODE, CAVITY ID, VENDOR IDENTIFICATION, AND CUSTOMER MATERIAL NUMBER.
(FOR SMALL PARTS: LETTERING SHALL BE 0.10 MAX RAISED IN 0.15 MAX RECESS PAD)

4. DESIGN - MANUFACTURING:

- a. ALLOWABLE FLASH MAX 0.20 HIGH BY MAX 0.13 THICK.
- b. ALLOWABLE SPLIT/PARTING LINE MISMATCH 0.2 MAX.
- c. EJECTOR PIN MARKS TO BE FLUSH TO 0.25 MAX DEPRESSED. LOCATION MUST BE APPROVED BY PRODUCT ENGINEERING. EJECTOR PIN MARKS NOT PERMISSIBLE ON OR NEAR DATUM TARGET AREA.
- d. ALLOWABLE GATE VESTIGE FLUSH TO 0.25 MAX RECESS. LOCATION MUST BE APPROVED BY PRODUCT ENGINEERING.
- e. NO EXTERNAL MOLD RELEASE AGENT ALLOWED DURING MANUFACTURING.
- f. NO PARTING LINES, MISMATCHES OR EJECTOR MARKS PERMISSIBLE WITHIN THE INDICATED SURFACE. TOOLING FOR INDICATED SURFACE MUST BE PROCESSED TO A SURFACE FINISH OF NTMA #70 (400 PAPER)
- g. BLADE TERMINAL ENVIRONMENTAL BARRIER (USED WITH SILVER PLATED TERMINALS) SHALL NOT BE PRESENT ON ANY SURFACE OTHER THAN THE BLADE TERMINALS
- h. NO PARTING LINES, FLASH, MISMATCHES OR EJECTOR MARKS PERMISSIBLE ON THE INDICATED NOSE SURFACE OR TRANSITION TO INTERNAL SHROUD SURFACE.



1X10

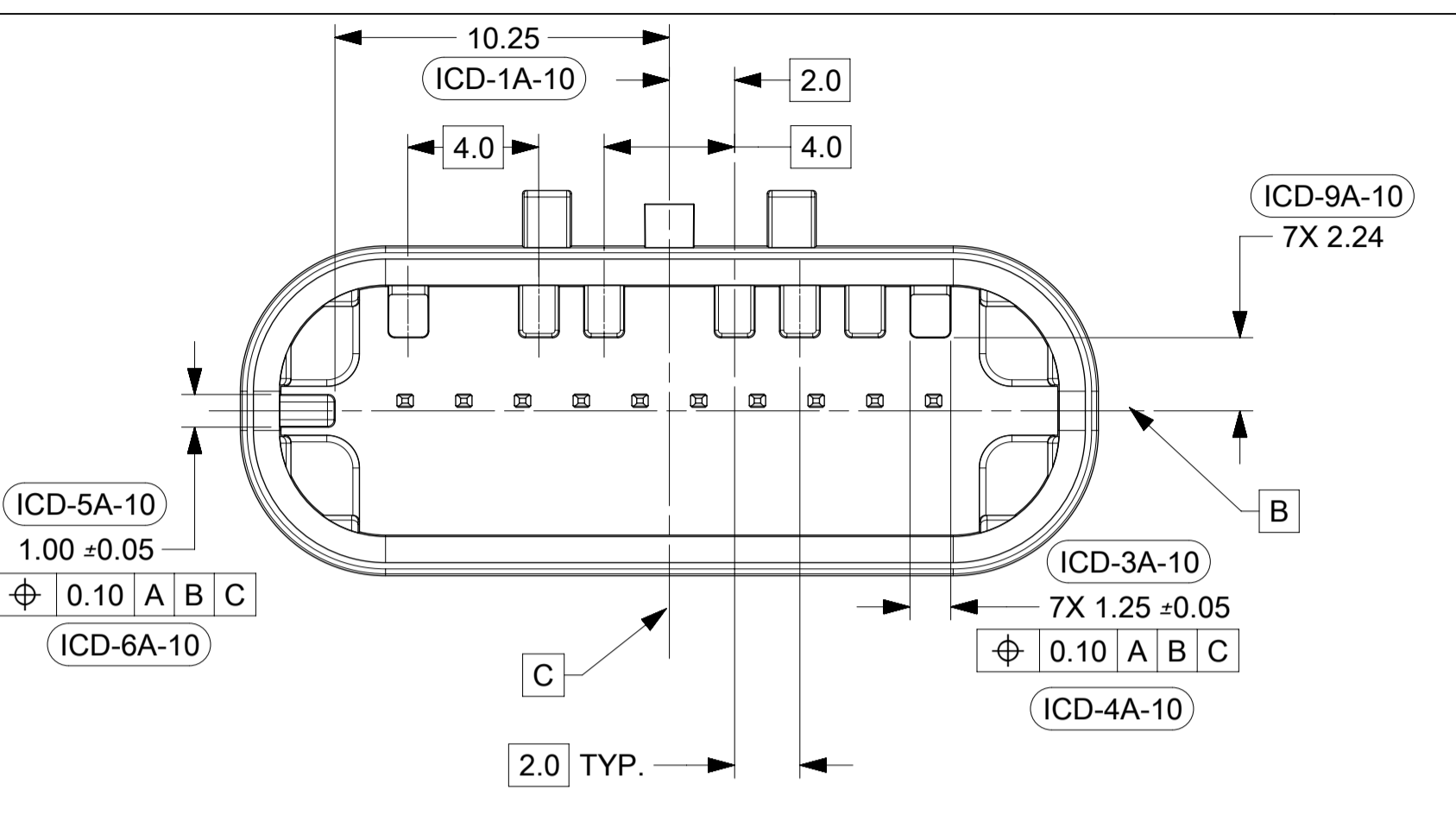
NOTICE: PRODUCT IN DEVELOPMENT & SUBJECT TO CHANGE WITHOUT NOTIFICATION

D	CHANGED RIB REMOVAL FOR KEYING: SEE VIEWS SHEET 2. ADDED SEE NOTE 2 TO PIN DETAIL SHEET 3. REVISED NOTE 4f.
C1	REVISED NOTES AND DIMENSIONS
C	RELEASE
REV	REV DESCRIPTION

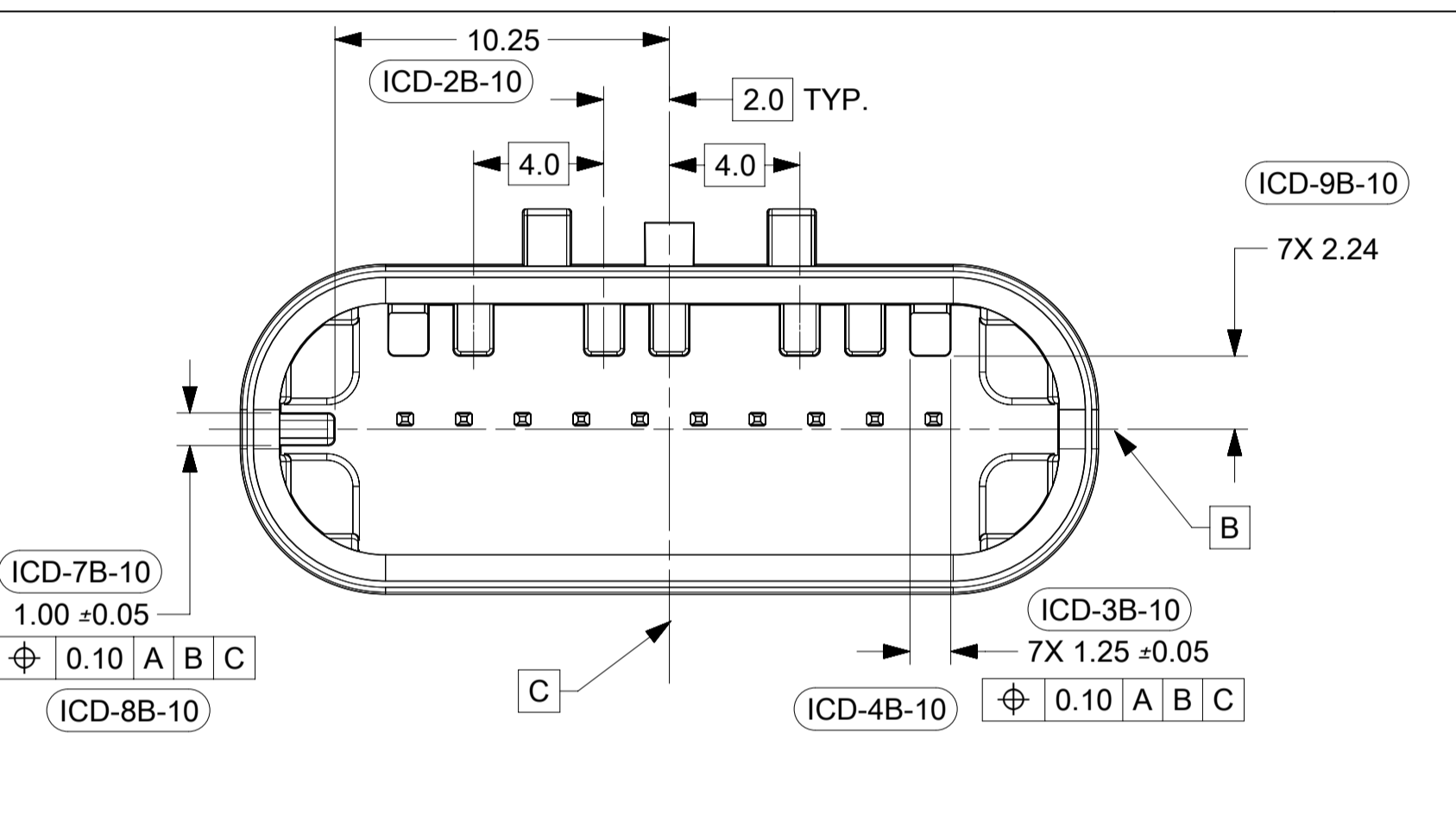
INSPECTION NUMBER LOG	
LAST NUMBER:	ICD-31
ADDED:	ICD-21A, ICD-21B
REMOVED:	ICD-20,23,24,25, 29, 31

QUALITY SYMBOLS FA = 0 FE = 0 FE = 0 ▼ = 0 C = 0 ☒ = 0 ■ = 0 ∇ = 0	THIS DRAWING CONTAINS INFORMATION THAT IS PROPRIETARY TO MOLEX ELECTRONIC TECHNOLOGIES, LLC AND SHOULD NOT BE USED WITHOUT WRITTEN PERMISSION				
	EC NO: 121633 DRWN: JURUTTER CHKD: REV APPR: JCONDON	2017/04/03	2017/09/15	GENERAL TOLERANCES (UNLESS SPECIFIED)	DIMENSION UNITS: mm
		SCALE: 1:1		DRWN BY: MNS02	DATE: 2016/04/21
		CHK'D BY: DATE:		APPR BY: KDEKOSKI	
DATE: 2016/05/04		DRAWING SIZE: A1		THIRD ANGLE PROJECTION	
DRAFT WHERE APPLICABLE MUST REMAIN WITHIN DIMENSIONS					
SERIES: 34968		MATERIAL NUMBER: SEE CHART		CUSTOMER:	
DOCUMENT NUMBER: 349681800		DOC TYPE: PSD		DOC PART: 000	
SHEET NUMBER: 1 OF 4					

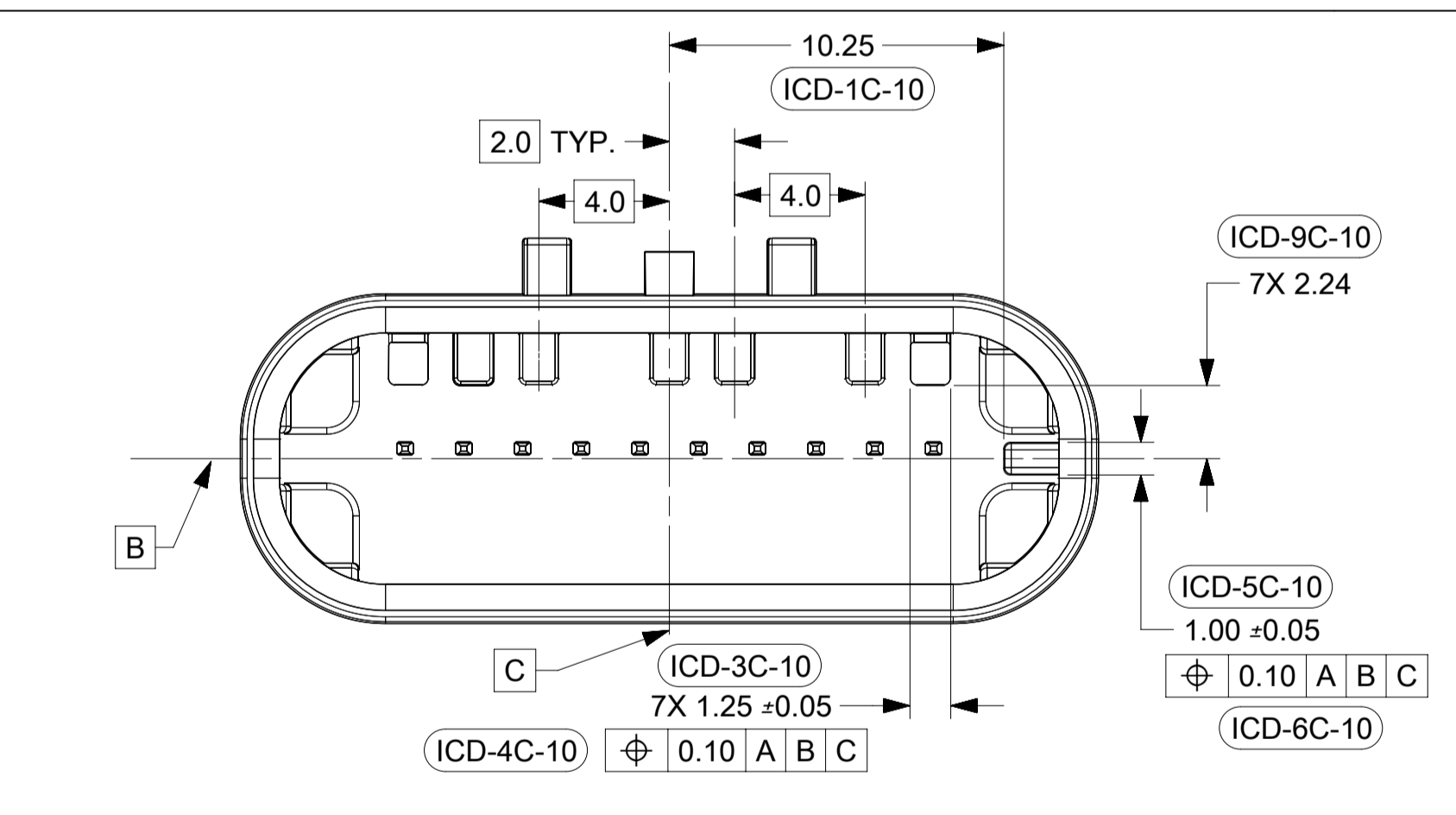
SHEET DESCRIPTION
KEY CONFIGURATIONS



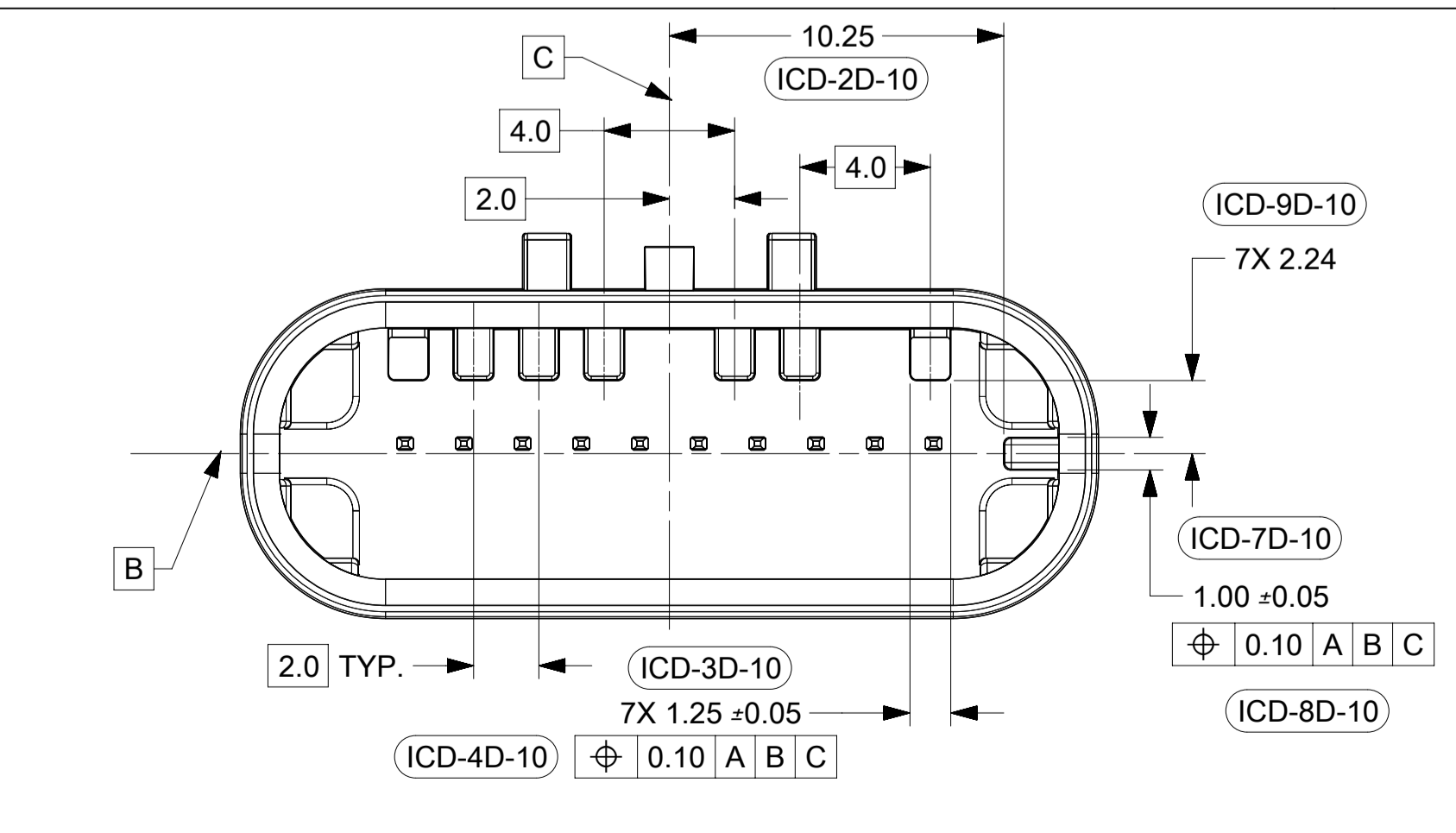
KEY OPTION A



KEY OPTION B



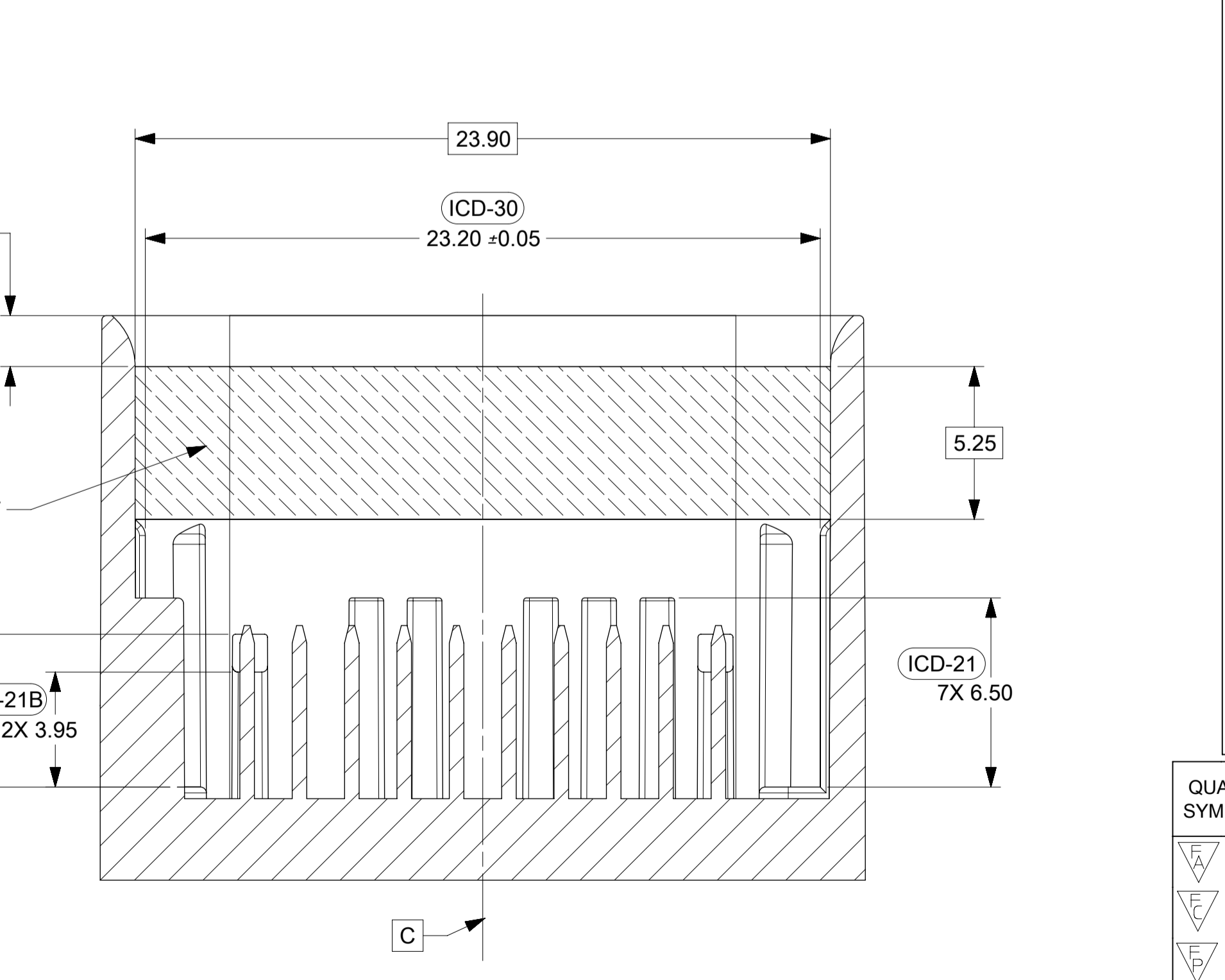
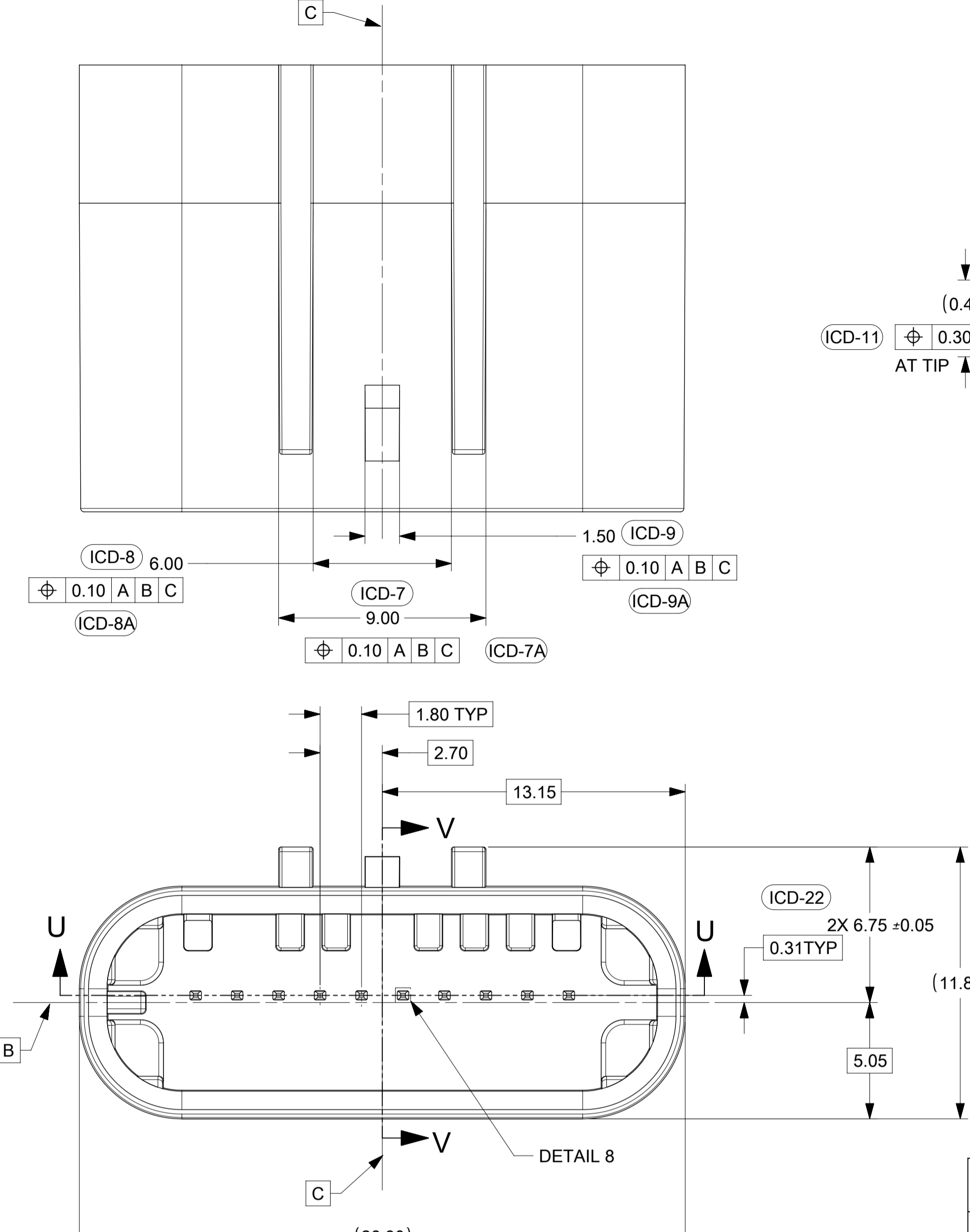
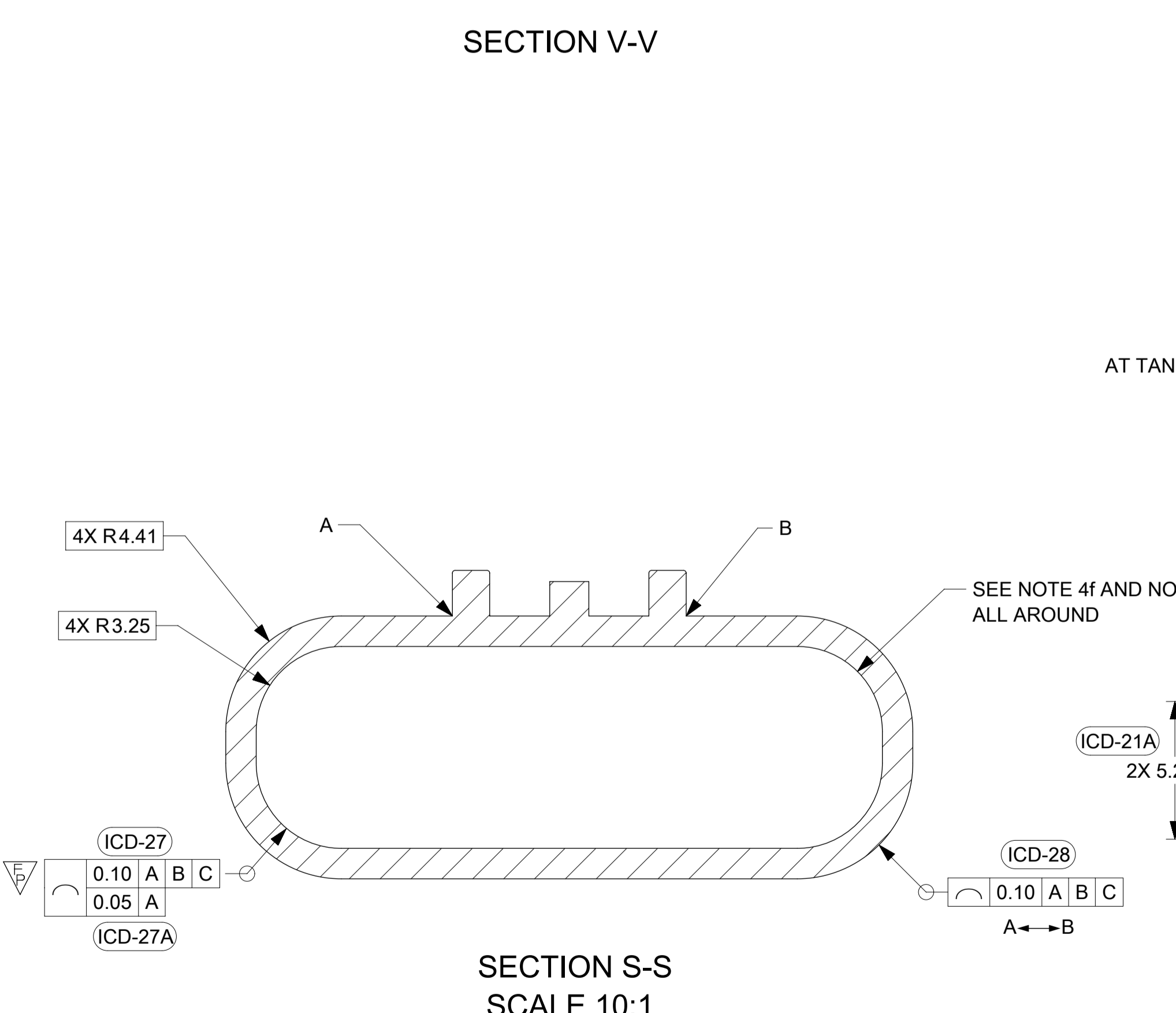
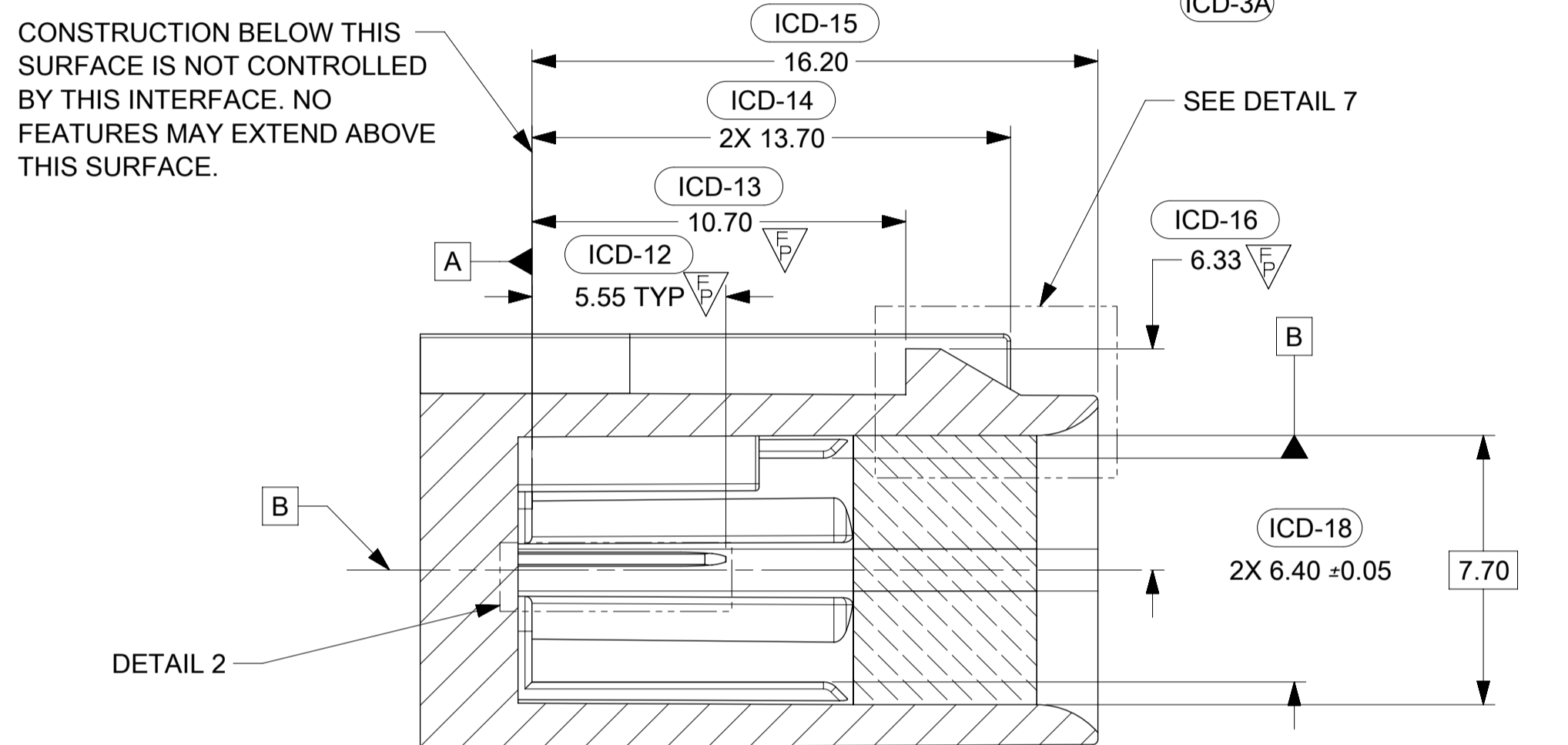
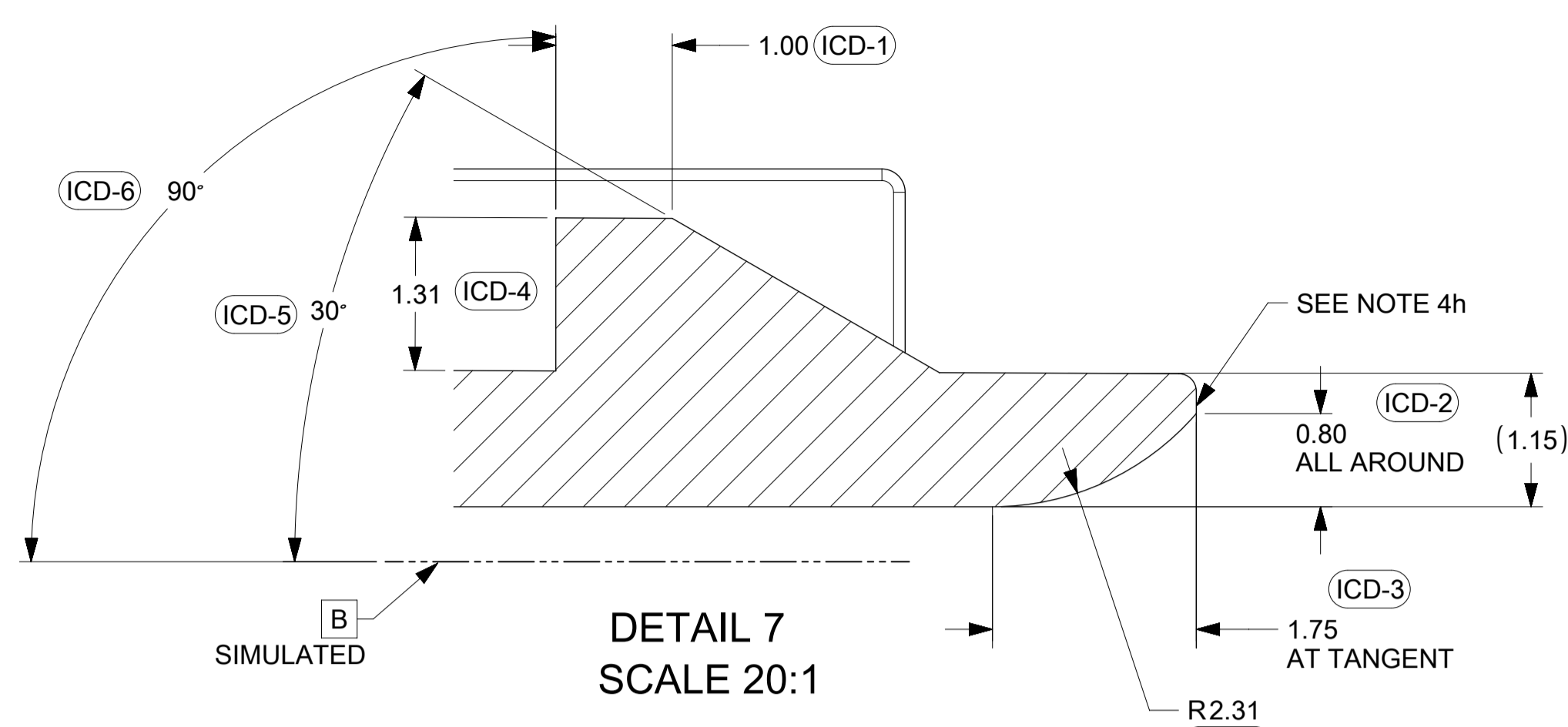
KEY OPTION C



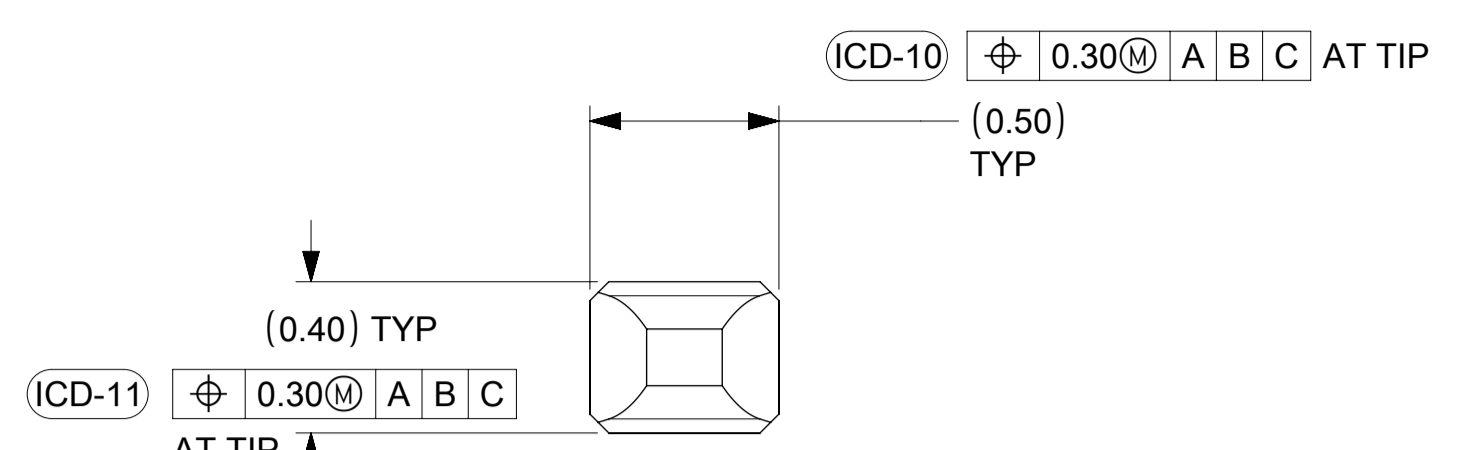
KEY OPTION D

THIS DRAWING CONTAINS INFORMATION THAT IS PROPRIETARY TO MOLEX ELECTRONIC TECHNOLOGIES, LLC AND SHOULD NOT BE USED WITHOUT WRITTEN PERMISSION										
QUALITY SYMBOLS	2017/04/03	2017/09/15	GENERAL TOLERANCES (UNLESS SPECIFIED)		DIMENSION UNITS	SCALE				
			ANGULAR TOL ± 3.0 °		mm	1:1				
▽ = 0	EC NO: 121633 DRWN: JURUTTER CHKD: REV / APPR: JCONDON	MNS02	4 PLACES ±		DRWN BY	DATE	mini50 SEALED 1X10 INTERFACE			
▽ = 0			3 PLACES ±		CHK'D BY	DATE				
▽ = 0			2 PLACES ± 0.1		APPR BY	DATE	PRODUCT CUSTOMER DRAWING			
▽ = 0			1 PLACE ± 0.2		KDEKOSKI	2016/05/04				
▽ = 0			0 PLACES ±		DRAWING SIZE	THIRD ANGLE PROJECTION	SERIES	MATERIAL NUMBER	CUSTOMER	
▽ = 0			DRAFT WHERE APPLICABLE MUST REMAIN WITHIN DIMENSIONS		A1		34968	SEE CHART		
▽ = 0	D		DOCUMENT NUMBER		DOC TYPE	DOC PART	SHEET NUMBER			
			349681800		PSD	000	2 OF 4			

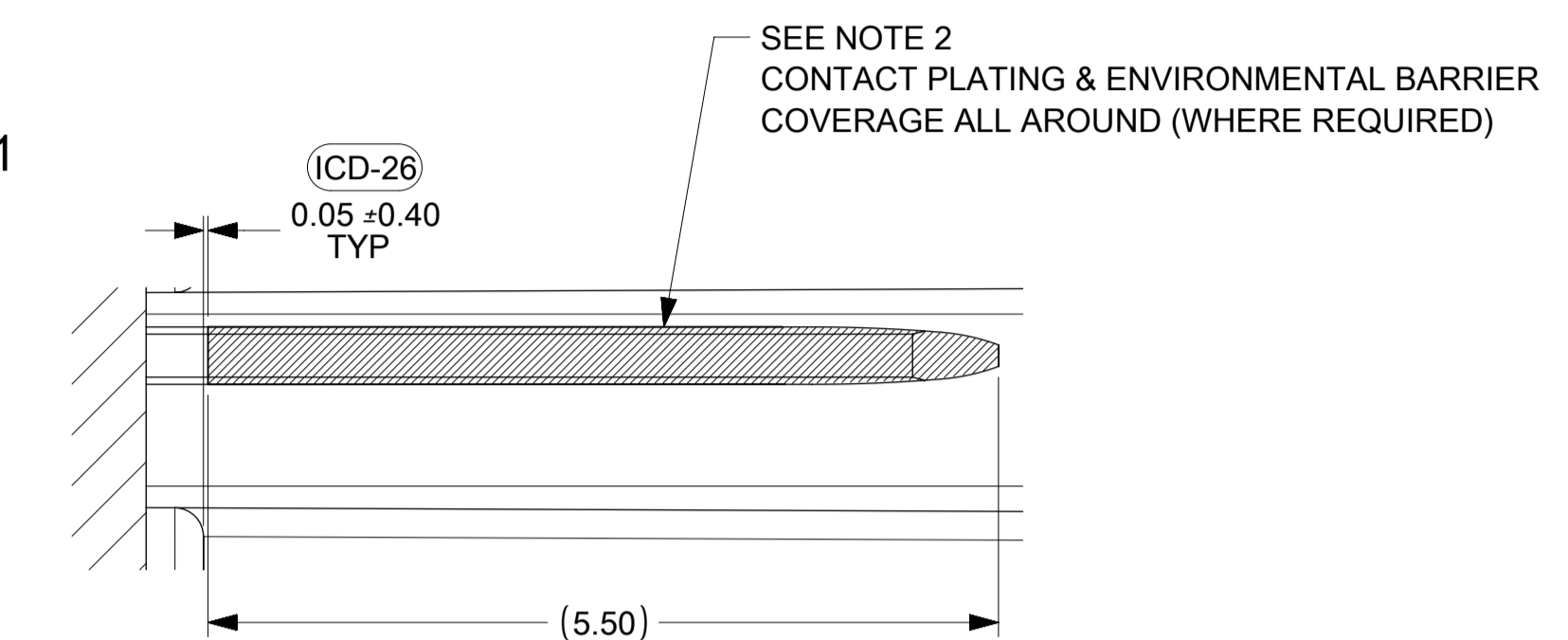
SHEET DESCRIPTION
CONNECTOR INTERFACE DEFINITION



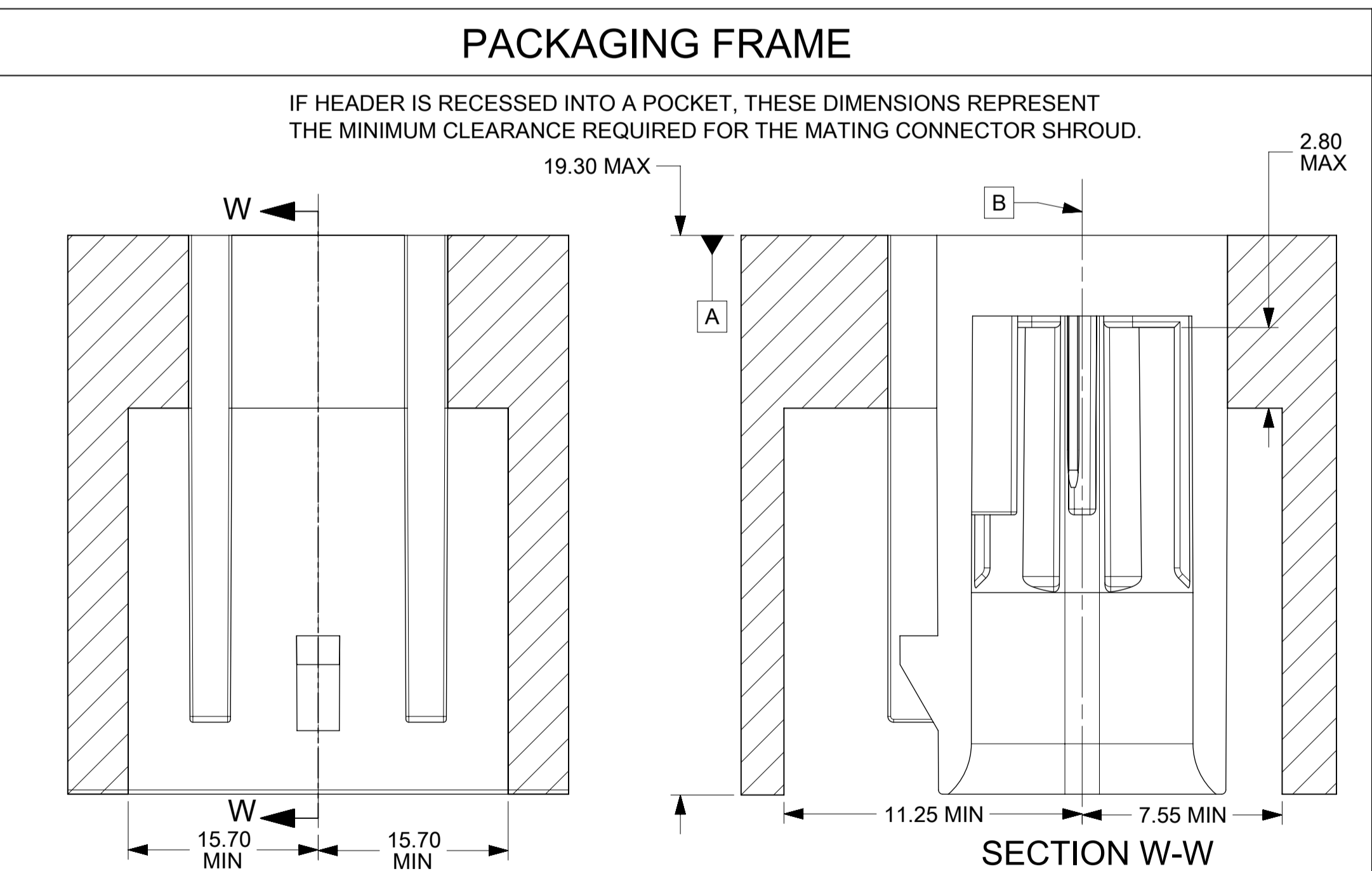
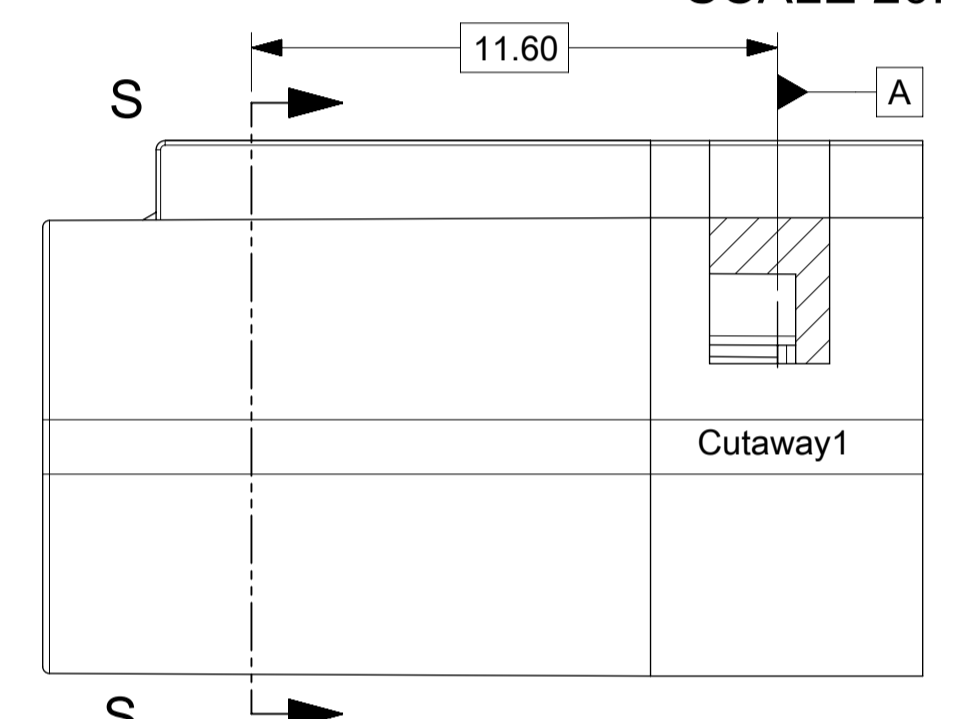
SEE NOTE 2
REFER TO MOLEX SALES DWG 347350050
AND EWCAP DWG. NO. EWCAP-001 REV. P 050-T001
0.50 TERMINAL BLADE CONFIGURATION



DETAIL 8
SCALE 50:1

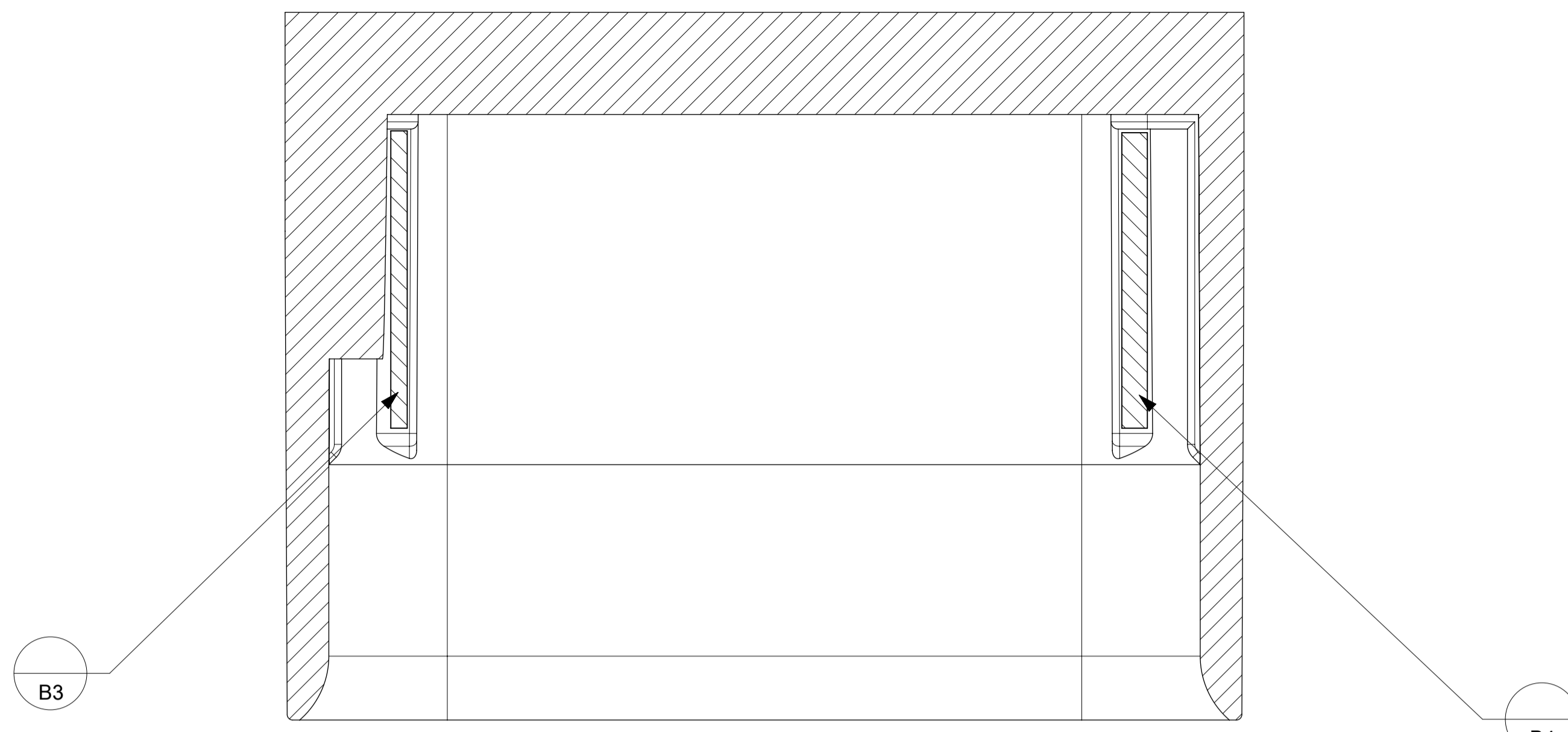


DETAIL 2
SCALE 20:1

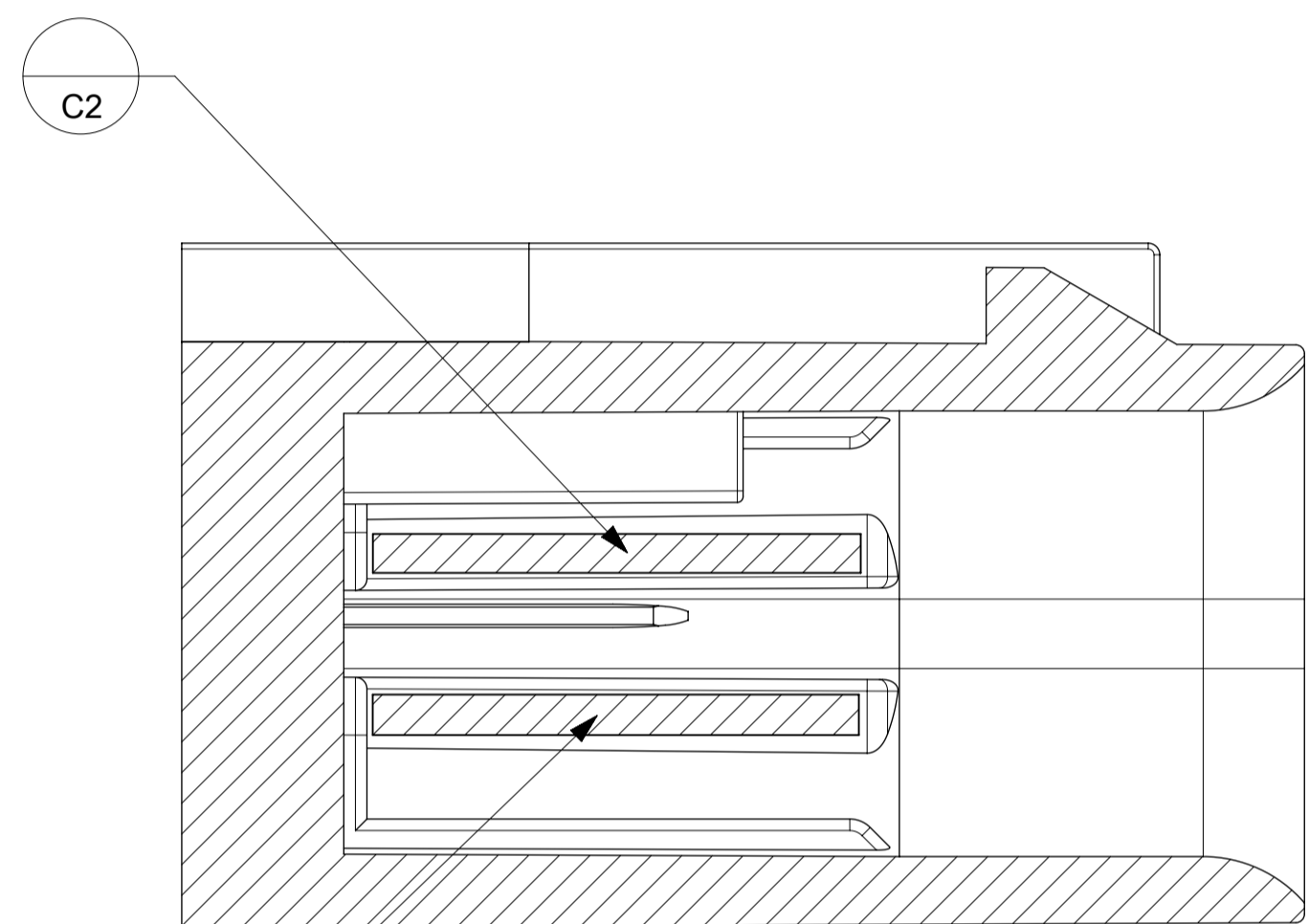


<p>THIS DRAWING CONTAINS INFORMATION THAT IS PROPRIETARY TO MOLEX ELECTRONIC TECHNOLOGIES, LLC AND SHOULD NOT BE USED WITHOUT WRITTEN PERMISSION</p>		<p>QUALITY SYMBOLS</p> <ul style="list-style-type: none"> ▽ = 0 ▽ = 0 ▽ = 0 ▽ = 0 ▽ = 0 ▽ = 0 ▽ = 0 ▽ = 0 ▽ = 0 ▽ = 0 		<p>DRWN BY: JRUTTER CHK'D: JCONDON APPR: JCONDON</p>		<p>DATE: 2016/04/21 DATE: 2016/05/04</p>		<p>SCALE: 1:1</p>		<p>molex</p>	
<p>GENERAL TOLERANCES (UNLESS SPECIFIED)</p>		<p>ANGULAR TOL ± 3.0 °</p>		<p>4 PLACES ±</p>		<p>3 PLACES ±</p>		<p>2 PLACES ± 0.1</p>		<p>1 PLACE ± 0.2</p>	
<p>0 PLACES ±</p>		<p>DRAFT WHERE APPLICABLE MUST REMAIN WITHIN DIMENSIONS</p>		<p>DRAWING SIZE: A1</p>		<p>THIRD ANGLE PROJECTION</p>		<p>SERIES: 34968</p>		<p>MATERIAL NUMBER: SEE CHART</p>	
<p>PRODUCT CUSTOMER DRAWING</p>		<p>MINI50 SEALED 1X10 INTERFACE</p>		<p>DOCUMENT NUMBER: 349681800</p>		<p>DOC TYPE: PSD</p>		<p>DOC PART: 000</p>		<p>SHEET NUMBER: 3 OF 4</p>	

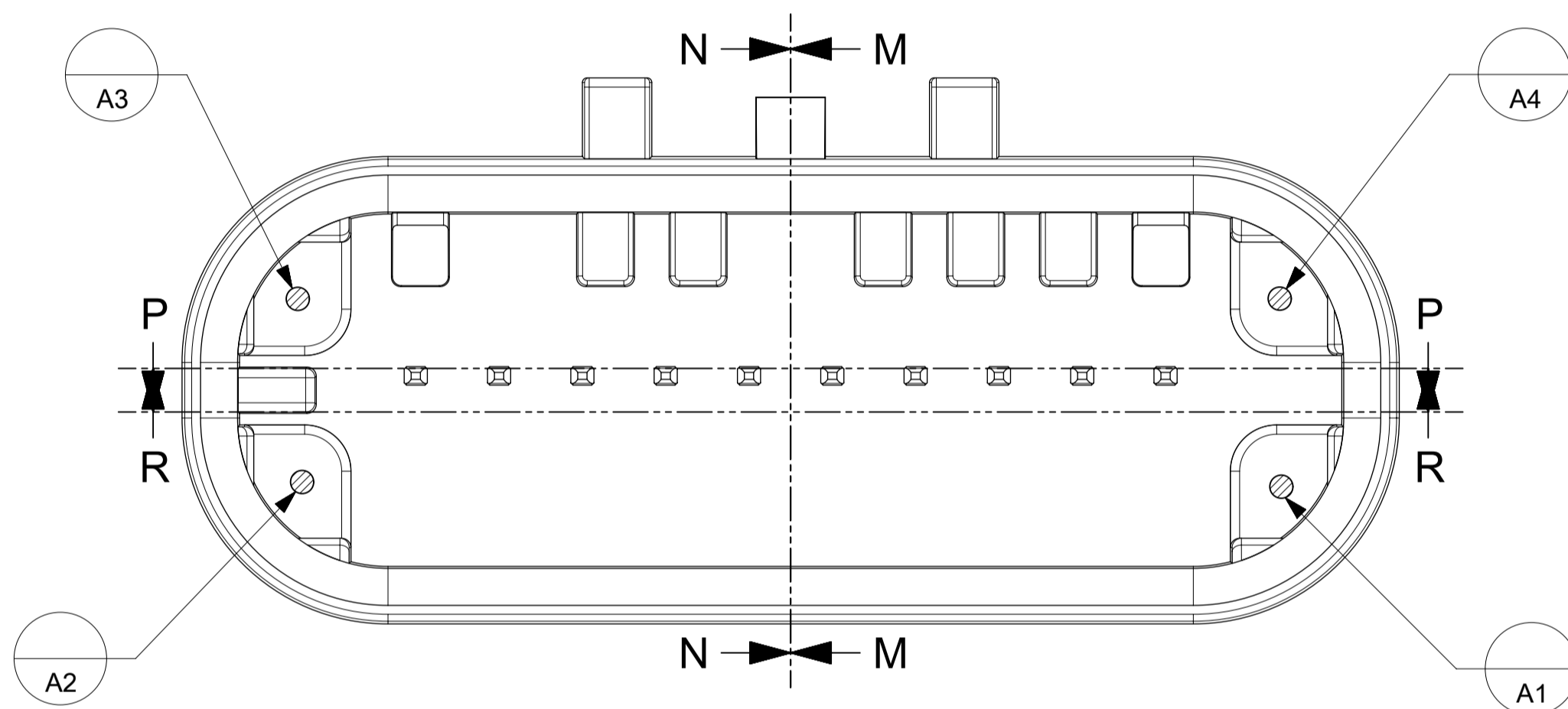
SHEET DESCRIPTION
DATUM TARGETS



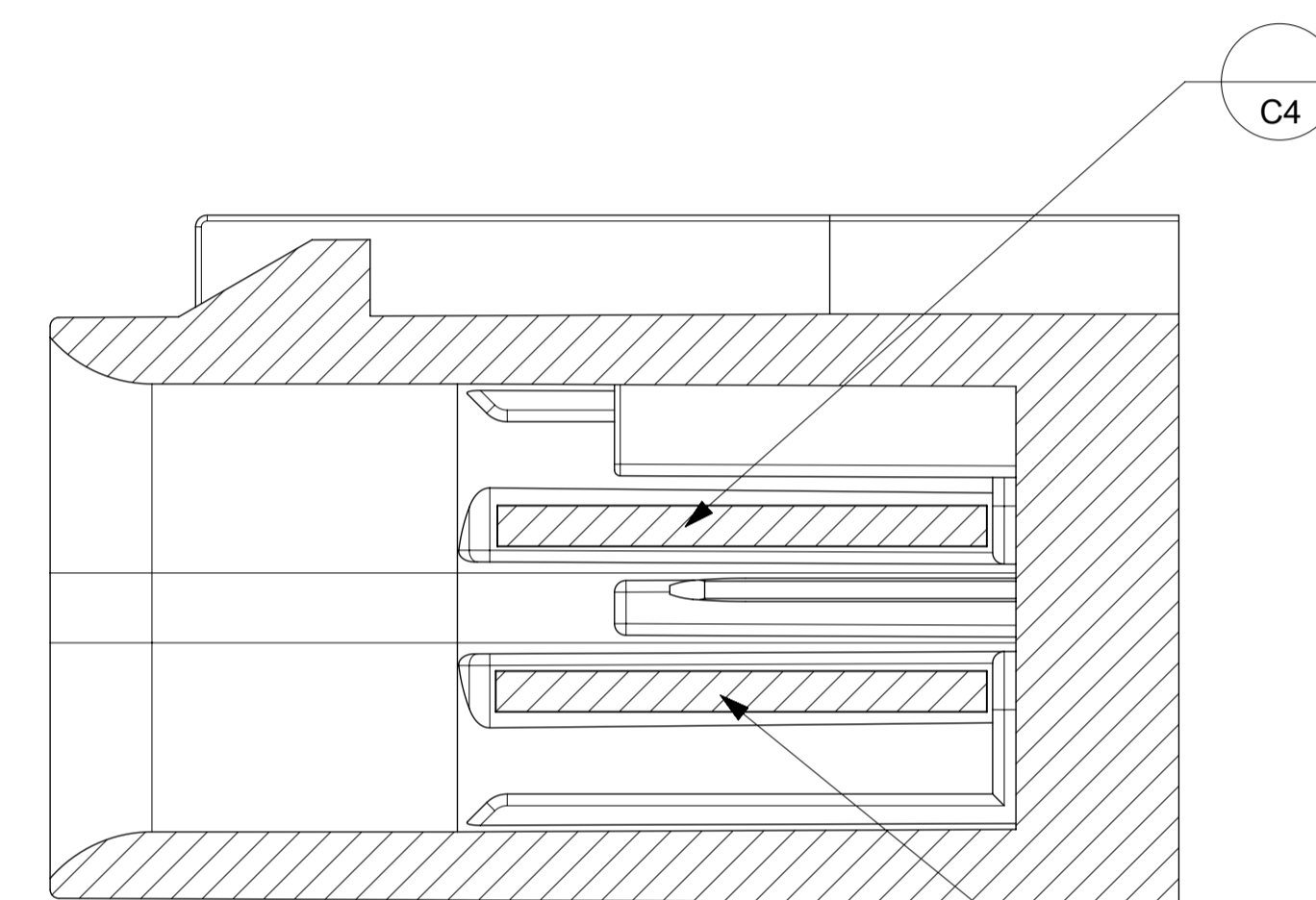
SECTION P-P



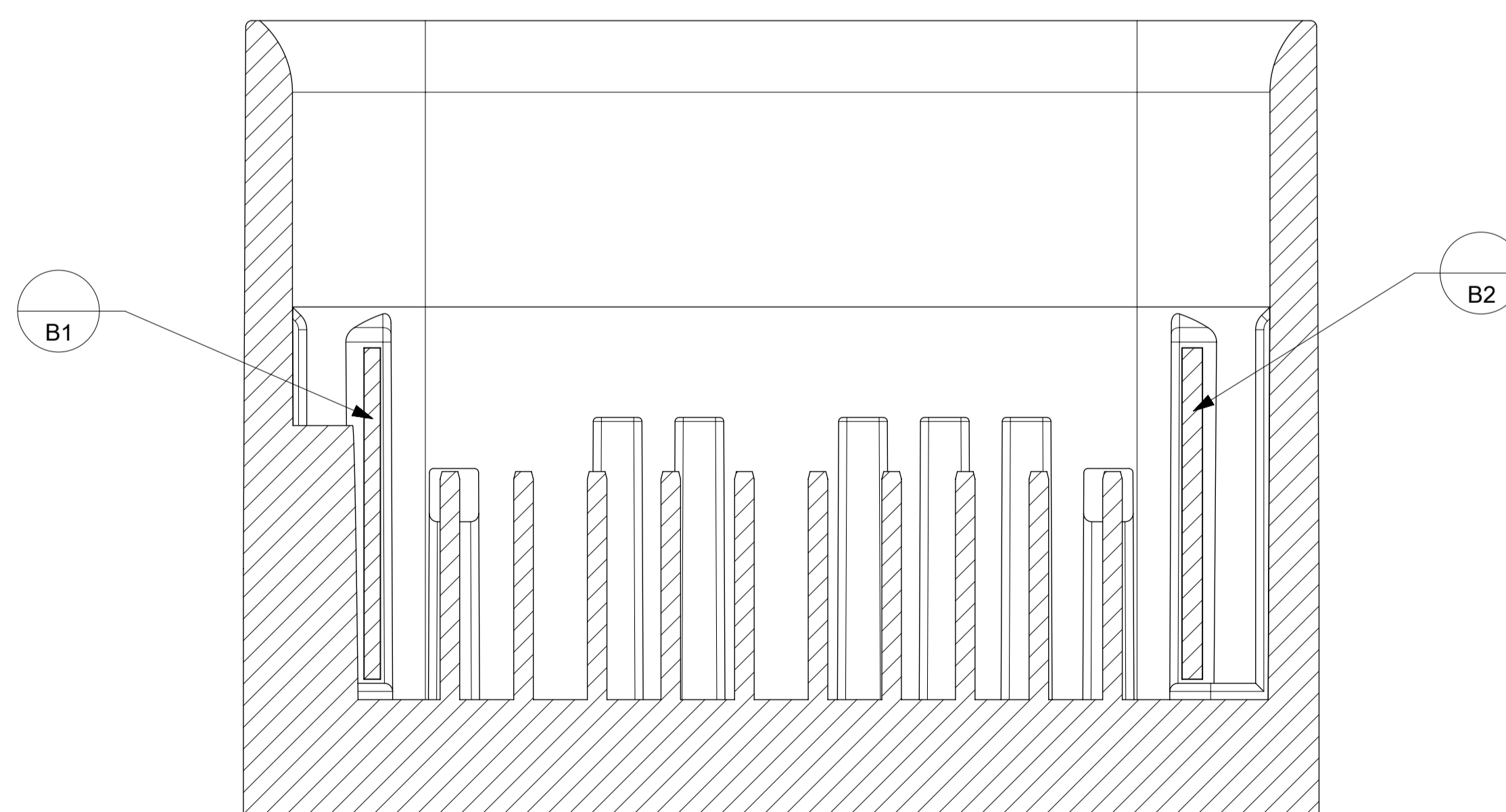
SECTION N-N



SECTION R-R



SECTION M-M



THIS DRAWING CONTAINS INFORMATION THAT IS PROPRIETARY TO MOLEX ELECTRONIC TECHNOLOGIES, LLC AND SHOULD NOT BE USED WITHOUT WRITTEN PERMISSION											
QUALITY SYMBOLS 	EC NO: 121633 DRWN: JRUTTER CHK'D: APPR: JCONDON	2017/04/03 2017/09/15	GENERAL TOLERANCES (UNLESS SPECIFIED)		DIMENSION UNITS	SCALE					
					mm	8:1					
			ANGULAR TOL ± 3.0 °		DRWN BY	DATE					
			4 PLACES ±		MNS02	2016/04/21	MINI50 SEALED 1X10 INTERFACE PRODUCT CUSTOMER DRAWING				
			3 PLACES ±		CHK'D BY	DATE					
			2 PLACES ± 0.1		APPR BY	DATE					
1 PLACE ± 0.2		KDEKOSKI	2016/05/04	SERIES	MATERIAL NUMBER	34968 SEE CHART					
0 PLACES ±		DRAWING SIZE		THIRD ANGLE PROJECTION							
DRAFT WHERE APPLICABLE MUST REMAIN WITHIN DIMENSIONS		A1		DOCUMENT NUMBER: 349681800 DOC TYPE: PSD DOC PART: 000 SHEET NUMBER: 4 OF 4							