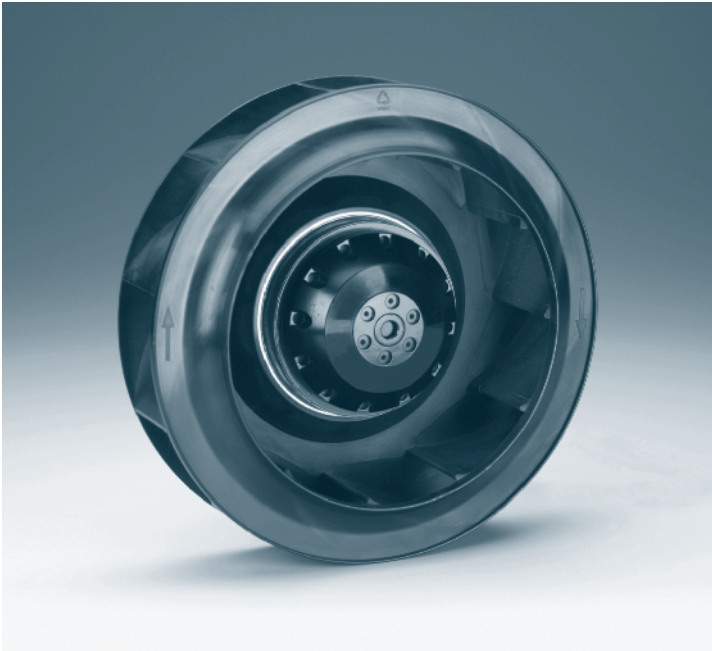
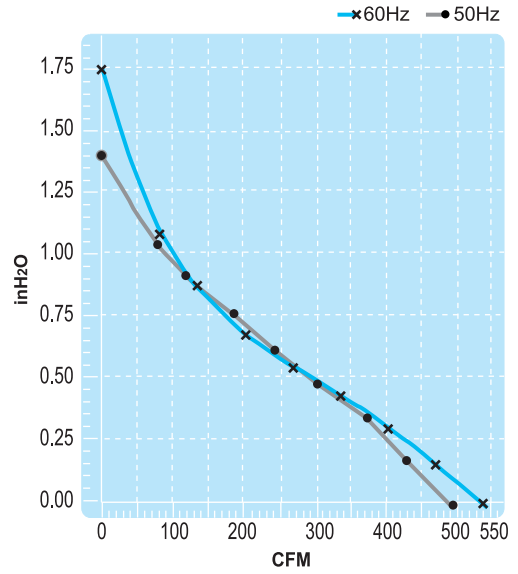


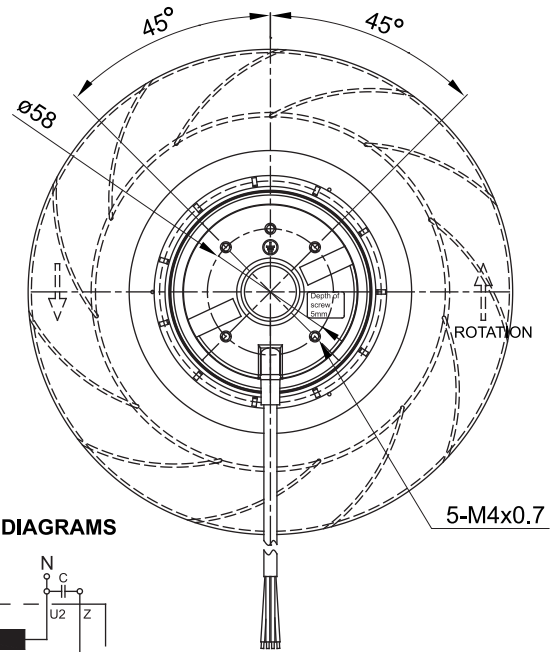
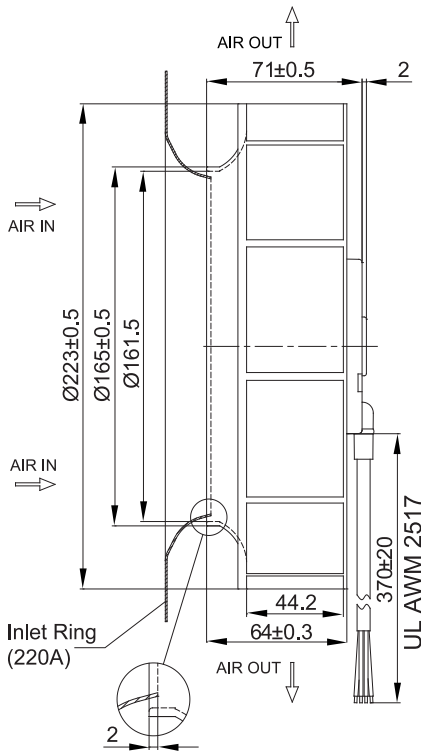
# UF220APA Series



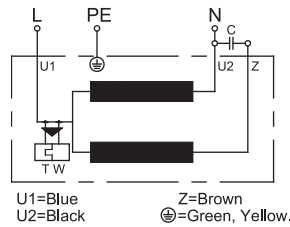
## (Centrifugal Fan)



### Thermal Protection



### MOTOR WIRING DIAGRAMS



### Lead Wire Type



Spec.	Rated Voltage	Frequency	Input Power	Rated Current	Locked Current	Speed	Maximum Air Flow	Maximum Air Flow	Maximum Pressure	Maximum Pressure	Capacitor	Noise	Weight
Model	V	Hz	W	A	A	RPM	m <sup>3</sup> /min.	CFM	mmH <sub>2</sub> O	InchH <sub>2</sub> O	μF/VDB	dB	kg
UF220APA11H2C2A	115V	50	90	0.63	0.88	2500	14	500	35	1.4	10/250	65	1.5
		60	117	0.80	0.93	2650	15	530	38	1.7		70	
UF220APA23H2C2A	230V	50	90	0.35	0.47	2500	14	500	35	1.4	2/450	65	1.5
		60	117	0.39	0.49	2650	15	530	38	1.7		70	