

THIS DRAWING IS UNPUBLISHED. RELEASED FOR PUBLICATION 20
 © COPYRIGHT 20 BY - ALL RIGHTS RESERVED.

REVISIONS					
P	LTR	DESCRIPTION	DATE	DWN	APVD
A2		ECR-16-010931	02AUG2016	L.Z	X.X
B		ECR-19-009136	30JUL2019	C.D	C.W

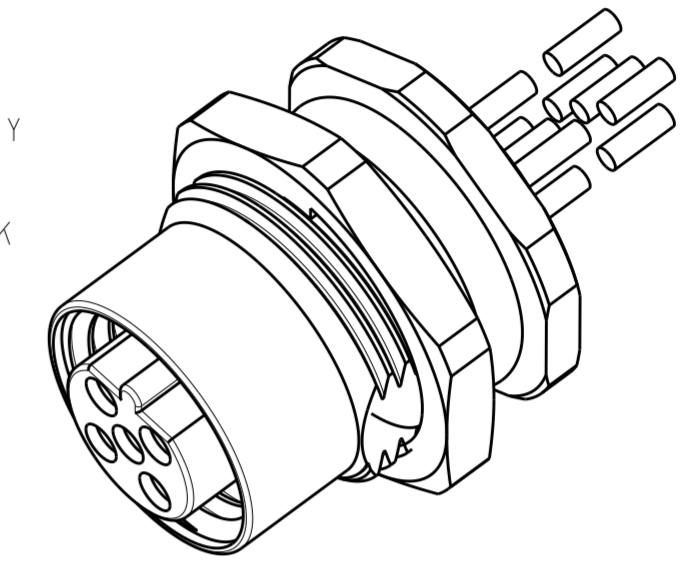
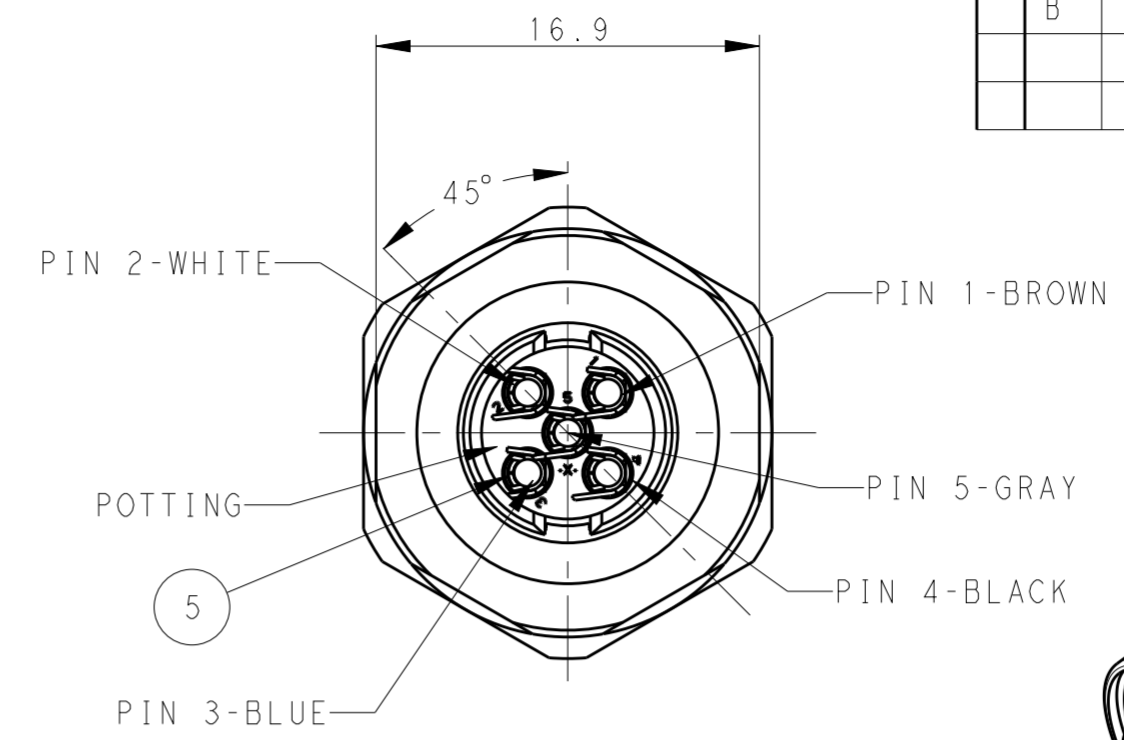
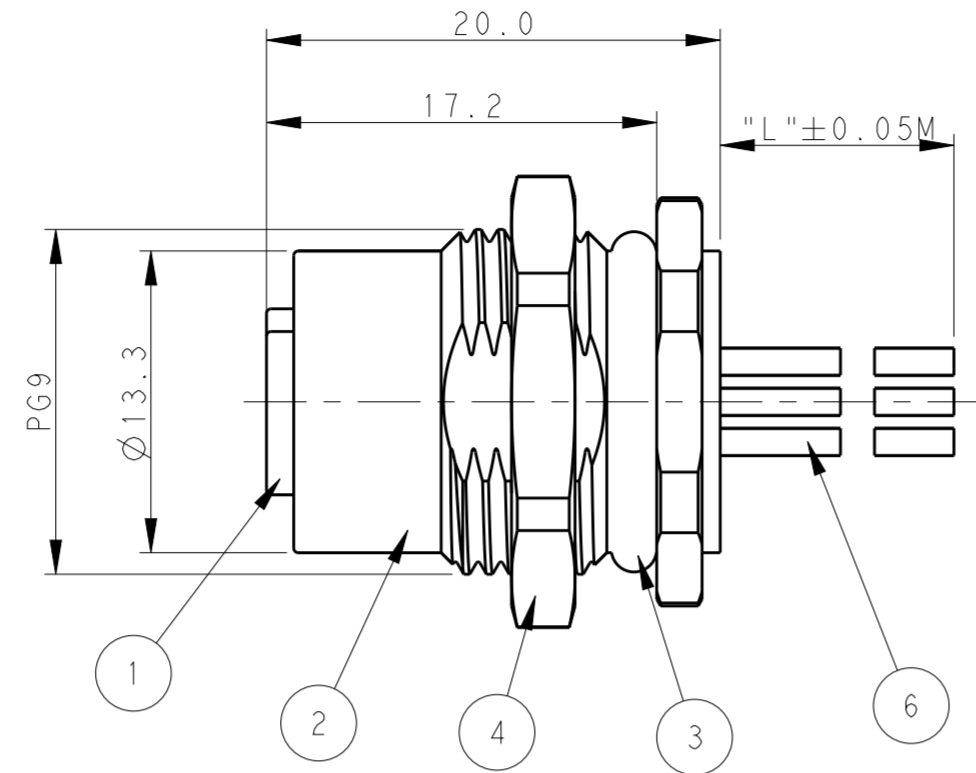
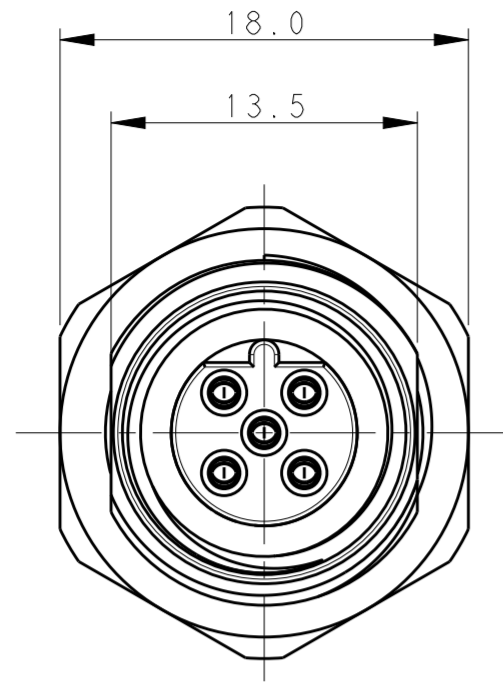


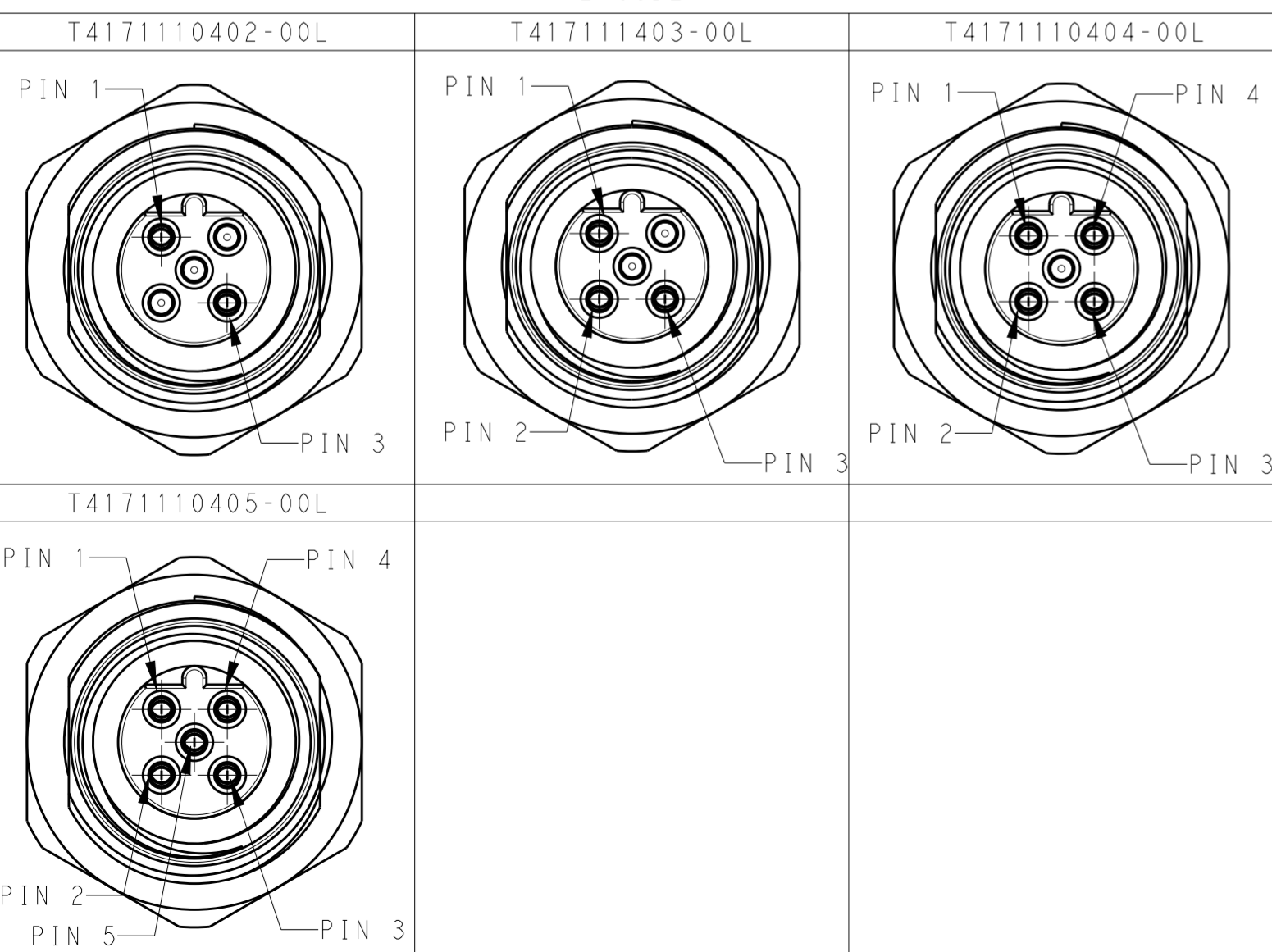
TABLE 1

TECHNICAL DATA	T4171110402-00L	T4171110403-00L	T4171110404-00L	T4171110405-00L
RATED VOLTAGE	250V	250V	250V	60V
RATED CURRENT	4A	4A	4A	4A
POLLUTION DEGREE	3	3	3	3
OVERVOLTAGE CATEGORY	II	II	II	II
MATERIAL GROUP	II	II	II	II
CONTACT RESISTANCE	$\leq 10m\Omega$	$\leq 10m\Omega$	$\leq 10m\Omega$	$\leq 10m\Omega$
INSULATION RESISTANCE	$> 100M\Omega$	$> 100M\Omega$	$> 100M\Omega$	$> 100M\Omega$
DEGREE OF PROTECTION	IP67	IP67	IP67	IP67
OPERATION TEMPERATURE	-40~85°C	-40~85°C	-40~85°C	-40~85°C

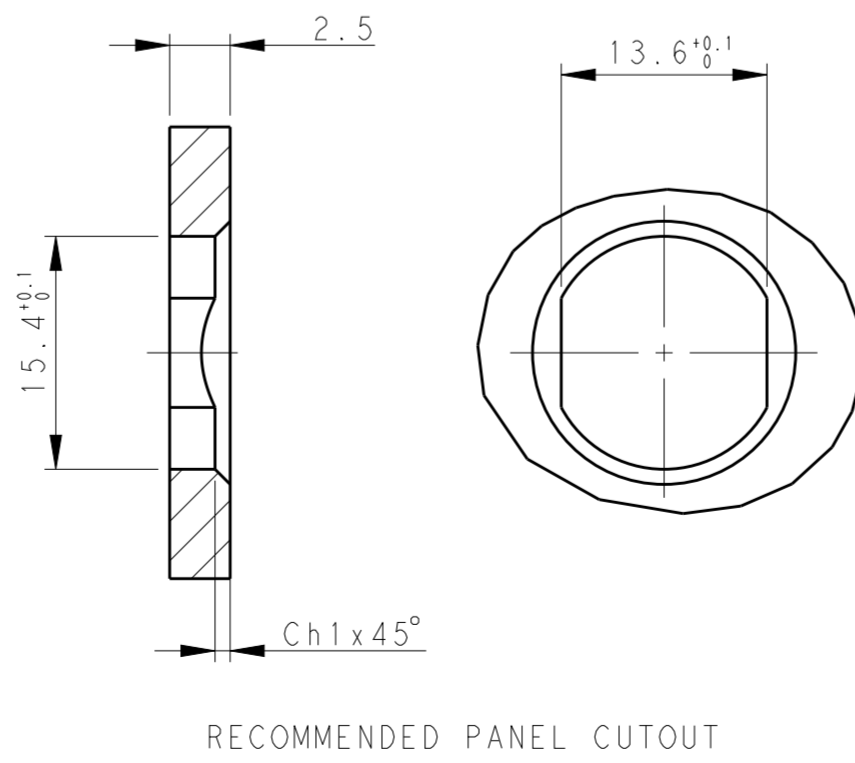
NOTE:
 1. TECHNICAL DATA: SEE TABLE 1
 2. PRODUCT COMPLIES WITH IEC61076-2-101
 3. RECOMMENDED MOUNT PANEL SEE DETAIL
 4. CABLE LENGTH SEE TABLE 2

注释:
 1: 技术参数, 见表1
 2: 产品符合标准 IEC61076-2-101
 3: 推荐开孔尺寸详见如图所示
 4: 线长度见表2

PIN ARRANGEMENT B-CODE



CABLE CHARACTERISTIC	CABLE LENGTH "L"	DESCRIPTION	POS	TABLE 2 PN
WIRES: 0.34MM^2(22AWG) WIRE PN AND COLOR: 1(BR)/2(WH)/3(BL)/4(BK)/5(GR)	-001: 0.2M -002: 0.5M -003: 1.0M -004: 1.5M -005: 3.0M -006: 5.0M -007: 7.0M -008: 10.0M	RPC-M12B-FF-5CON-PG9-**LAU	5	T4171110405-00L
		RPC-M12B-FF-4CON-PG9-**LAU	4	T4171110404-00L
		RPC-M12B-FF-3CON-PG9-**LAU	3	T4171110403-00L
		RPC-M12B-FF-2CON-PG9-**LAU	2	T4171110402-00L



COMMENT	MATERIAL	DESCRIPTION	ITEM
FLASH GOLD	COPPER ALLOY	CONTACT	6 2 3 4 5
-	COPPER ALLOY	METAL NUT	5 2 3 4 5
BLACK	RUBBER	O-RING	4 1 1 1 1
-	COPPER ALLOY	M12, MALE, METAL BODY	3 1 1 1 1
BLACK	NYLON	M12, MALE HSG, B CODE, 5PINS	2 1 1 1 1

THIS DRAWING IS A CONTROLLED DOCUMENT.

DWN: BO GAO 30MAR2016
 CHK: KOBBY ZHAO 30MAR2016
 APVD: XIANG XU 30MAR2016

TE Connectivity

NAME: M12 PANEL MOUNT CONNECTOR B CODE, FEMALE, REAR MOUNTING

PRODUCT SPEC: 108-106140
 APPLICATION SPEC: 114-137144

SIZE: A2 CAGE CODE: - DRAWING NO: T417111040X00L RESTRICTED TO: -
 SCALE: 3:1 SHEET 1 OF 1 REV B