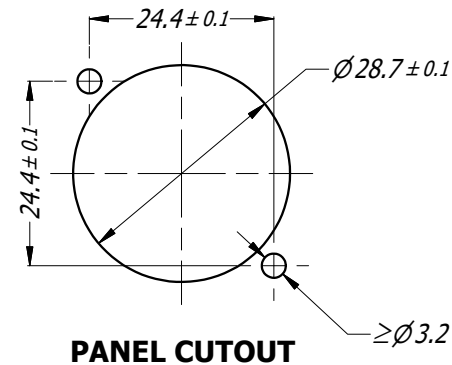


3D VIEW
1:1



PANEL CUTOUT

NOTES:
 - USE #4 OR M3 SCREW.
 - TIGHTEN TO 0.35 N-m (3.1 lb-in)

UNLESS OTHERWISE SPECIFIED TOLERANCE TO BE

LINEAR		ANGULAR	
X	± 0.5	X'	± 1
X.X	± 0.1	X.X'	± 30'
X.XX	± 0.05	X.XX''	± 15'

BREAK ALL SHARP EDGES AND REMOVE ALL BURRS

DO NOT SCALE

DIMENSIONS IN MILLIMETRES

THIS DOCUMENT IS THE PROPERTY OF AMPHENOL AUSTRALIA PTY. LTD.
 NO PART THEREOF MAY BE REPRODUCED AND USED WITHOUT THE PRIOR WRITTEN CONSENT OF THE OWNER.

MATERIAL:

FINISH:



DRN:	T.N	DATE:	19/07/17
CKD:	P.M	DATE:	19/07/17
APP'D:	P.M	DATE:	19/07/17
SCALE:	1:1	SIZE:	A4

Amphenol

Amphenol Australia Pty.Ltd,
 22 Industry Blvd Carrum Downs, VIC 3201

TITLE:
PROTECTIVE CAP
HPT SERIES FEMALE P/M
BEADED CHAIN

PART No:	HPT-CAPF	REV	1
DRAWING No.	55011250-000-4	SHEET	3/4

CB4.17.F1