

Product description **M9 IP67 female panel mount connector, Contacts: 5, shieldable, solder, IP67**

Area **M9 IP67 series 712**
Order number **09 0416 00 05**

Illustration	Scale drawing	Contact arrangement																		
		<table border="1" style="margin-left: 20px;"> <thead> <tr> <th></th> <th>X</th> <th>Y</th> </tr> </thead> <tbody> <tr> <td>1</td> <td>-1,00</td> <td>-1,37</td> </tr> <tr> <td>2</td> <td>-1,61</td> <td>0,52</td> </tr> <tr> <td>3</td> <td>0,00</td> <td>1,70</td> </tr> <tr> <td>4</td> <td>1,61</td> <td>0,52</td> </tr> <tr> <td>5</td> <td>1,00</td> <td>-1,37</td> </tr> </tbody> </table>		X	Y	1	-1,00	-1,37	2	-1,61	0,52	3	0,00	1,70	4	1,61	0,52	5	1,00	-1,37
	X	Y																		
1	-1,00	-1,37																		
2	-1,61	0,52																		
3	0,00	1,70																		
4	1,61	0,52																		
5	1,00	-1,37																		

You can find the assembly instructions on the next page.

Technical data

General values

Connector design	female panel mount connector
Connector locking system	screw
Termination	solder
Wire gauge (mm)	0.25 mm ²
Wire gauge (AWG)	24
Upper limit temperature	85 °C
Lower limit temperature	- 40 °C
Customs tariff number	85369010
Packaging Unit	50

Electrical values

Rated current (40 °C)	3 A
Rated voltage	125 V
Rated impulse voltage	1500 V
Pollution degree	1
Overvoltage category	II
Insulating material group	III
Insulation resistance	≥ 10 ¹⁰ Ω
EMC compliance	shieldable
Degree of protection	IP67
Mechanical operation	> 500 Mating cycles

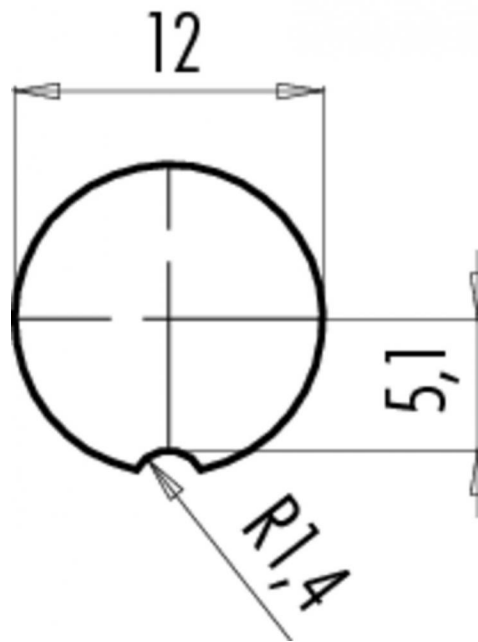
Material

Contact material	CuSn (bronze)
Contact plating	Au (gold)
Contact body material	PA (UL94 V-0)

Product description **M9 IP67 female panel mount connector, Contacts: 5, shieldable, solder, IP67**

Area **M9 IP67 series 712**
Order number **09 0416 00 05**

Assembly instructions / Panel cut-out



Product description **M9 IP67 female panel mount connector, Contacts: 5, shieldable, solder, IP67**

Area **M9 IP67 series 712**
Order number **09 0416 00 05**

Security notices

The connector must not be connected or separated under load. Non-observance and incorrect use can result in personal injury.

The connectors are designed for use in plant, control system and electrical equipment. The end user is responsible for checking whether the connectors are suitable for use in other applications.

Connectors with degree of protection IP 67 and IP 68 are not suitable for use under water. When used outdoors, the connectors must be separately protected against corrosion. For further information about IP degrees of protection refer to 'Technical support' in the Download Centre.