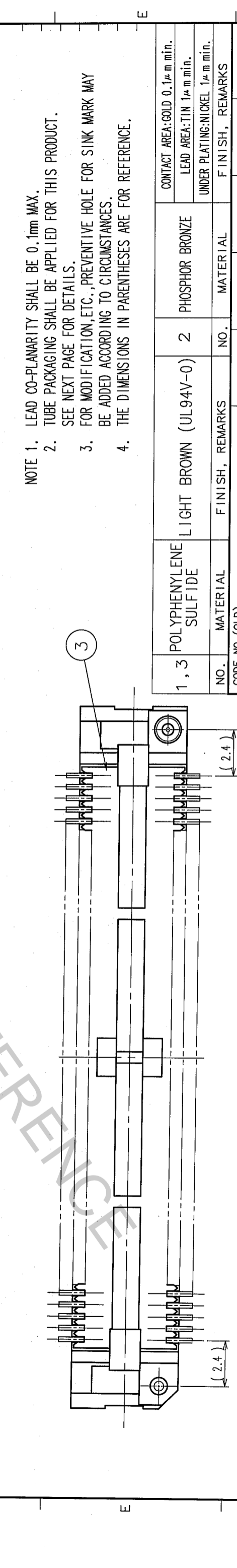
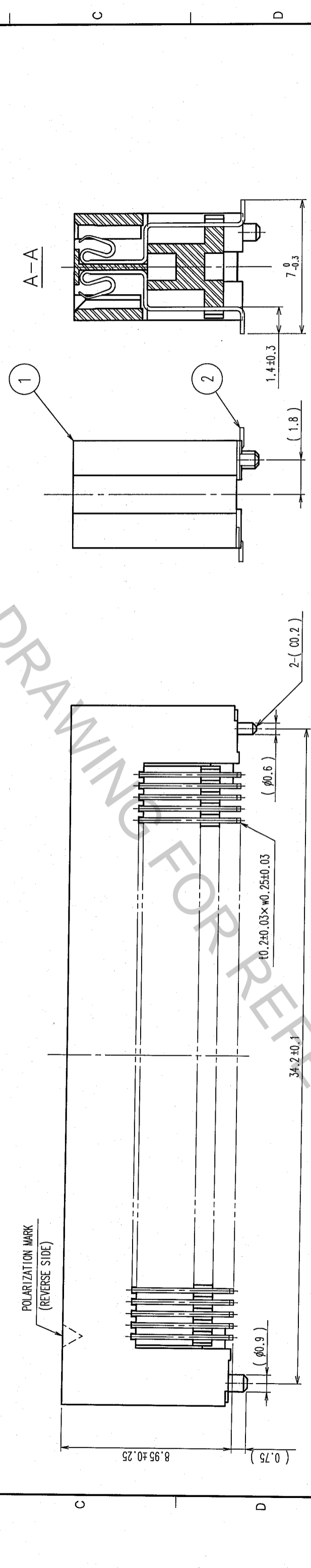
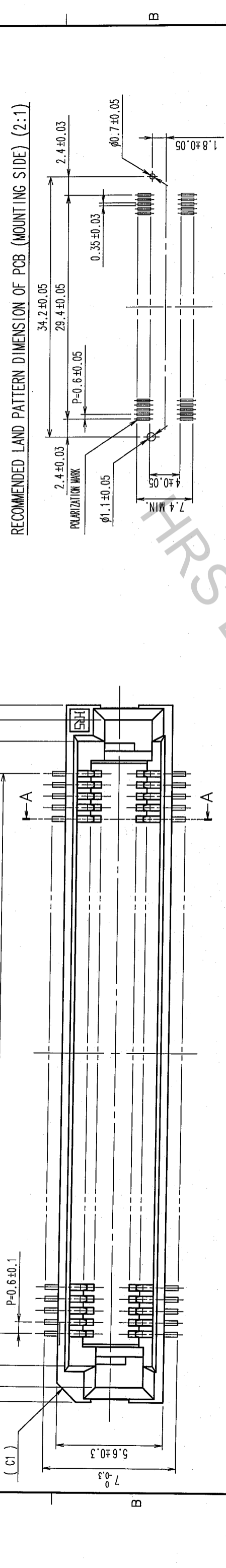


| COUNT | DESCRIPTION OF REVISIONS | BY | CHKD | DATE | COUNT | DESCRIPTION OF REVISIONS | BY | CHKD | DATE |
|-------|--------------------------|----|------|------|-------|--------------------------|----|------|------|
| △ | | | | | △ | | | | |
| △ | | | | | △ | | | | |
| △ | | | | | △ | | | | |

| COUNT | DESCRIPTION OF REVISIONS | BY | CHKD | DATE | COUNT | DESCRIPTION OF REVISIONS | BY | CHKD | DATE |
|-------|--------------------------|----|------|------|-------|--------------------------|----|------|------|
| △ | | | | | △ | | | | |
| △ | | | | | △ | | | | |
| △ | | | | | △ | | | | |



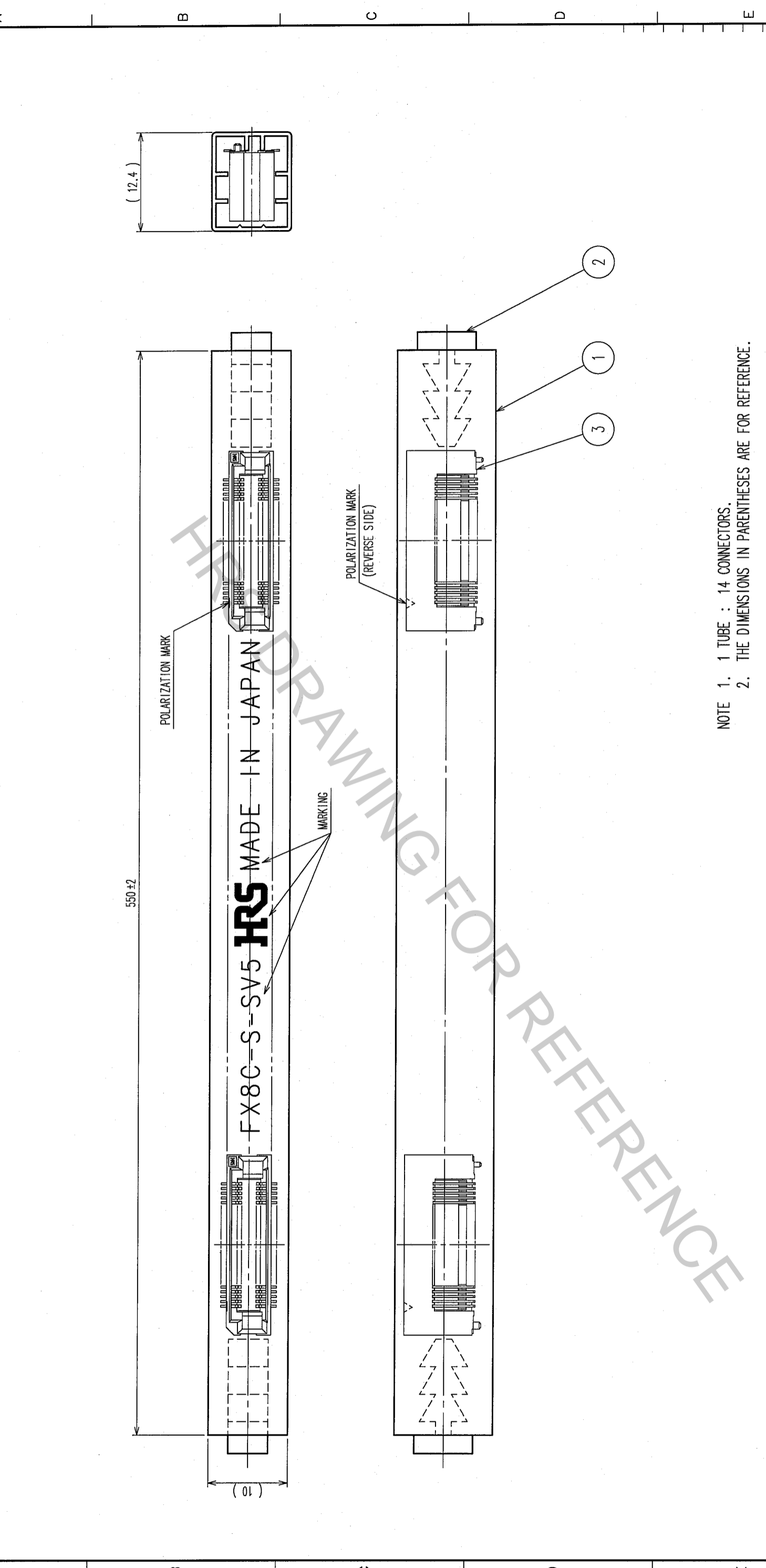
- NOTE 1. LEAD CO-PLANARITY SHALL BE 0.1mm MAX.
 2. TUBE PACKAGING SHALL BE APPLIED FOR THIS PRODUCT.
 SEE NEXT PAGE FOR DETAILS.
 3. FOR MODIFICATION, ETC., PREVENTIVE HOLE FOR SINK MARK MAY BE ADDED ACCORDING TO CIRCUMSTANCES.
 4. THE DIMENSIONS IN PARENTHESES ARE FOR REFERENCE.

| |
|-----|
| TO |
| PCK |
| |
| |

| | | | | | |
|----------------|-----------------------|-----------------------|-----------|-----------------|--|
| 1, 3 | POLYPHENYLENE SULFIDE | LIGHT BROWN (UL94V-0) | 2 | PHOSPHOR BRONZE | CONTACT AREA: GOLD 0.1μm min. LEAD AREA: TIN 1μm min. UNDER PLATING: NICKEL 1μm min. |
| NO. | MATERIAL | FINISH, REMARKS | NO. | MATERIAL | FINISH, REMARKS |
| CODE NO. (OLD) | CL | | | | |
| DRAWN | | DESIGNED | CHECKED | APPROVED | RELEASED |
| H. Sai | | H. Sai | K. Ogawa | H. Okawa | |
| 105.09.02 | | 105.09.02 | 105.09.02 | 05.09.02 | 05.09.02 |
| DRAWING NO. | | PART NO. | | CODE NO. | |
| EDC3-150893-21 | | FX8C-100S-SV5(91) | | CL578-0825-0-91 | |
| SCALE | | UNITS | | 1/2 | |
| 5 : 1 | | mm | | | |

| | | | | | | | | | | |
|-------|---|--------------------------|----|------|------|-------|--------------------------|----|------|------|
| COUNT | | DESCRIPTION OF REVISIONS | BY | CHKD | DATE | COUNT | DESCRIPTION OF REVISIONS | BY | CHKD | DATE |
| △ | △ | | | | | △ | | | | |
| △ | △ | | | | | △ | | | | |
| △ | △ | | | | | △ | | | | |

Mar.1|2018 Copyright 2018 HIROSE ELECTRIC CO., LTD. All Rights Reserved. 6



NOTE 1. 1 TUBE : 14 CONNECTORS.
 2. THE DIMENSIONS IN PARENTHESES ARE FOR REFERENCE.

| | | | | | |
|----------------|--------------------|----------------------------|----------|--------------------|-------------------|
| 2 | | POLYVINYL CHLORIDE STOPPER | 3 | | (CONNECTOR) |
| NO. | MATERIAL | FINISH, REMARKS | NO. | MATERIAL | FINISH, REMARKS |
| 1 | POLYVINYL CHLORIDE | | 1 | POLYVINYL CHLORIDE | TUBE |
| CODE NO. (OLD) | | CL | DRAWN | | DESIGNED |
| | | | H. Doi | | H. Doi |
| | | | 05-09-02 | | 05-09-02 |
| | | | 05-09-02 | | 05-09-02 |
| | | | 05-09-02 | | 05-09-02 |
| DRAWING NO. | | EDC3-150893-21 | PART NO. | | FX8C-100S-SV5(91) |
| SCALE | | FREE | CODE NO. | | CL578-0825-0-91 |
| UNITS | | mm | | | |

| | |
|-----|--|
| TO | |
| PCK | |
| | |
| | |