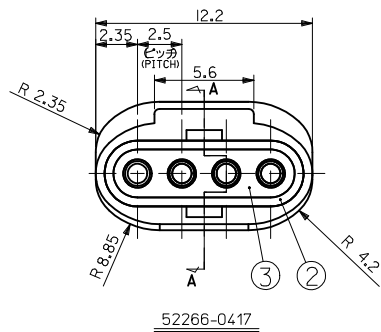
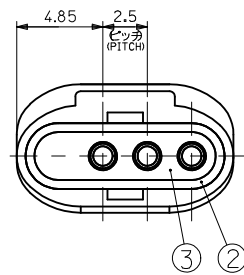


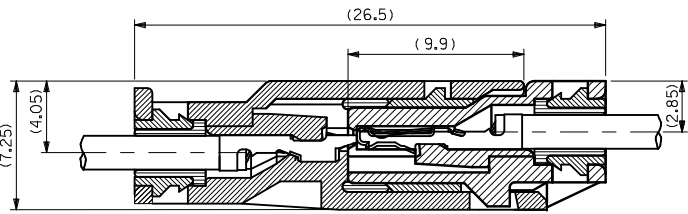
断面A-A (端子装着状態図)  
SECT.A-A (TERM. ASSEMBLY DRAWING)



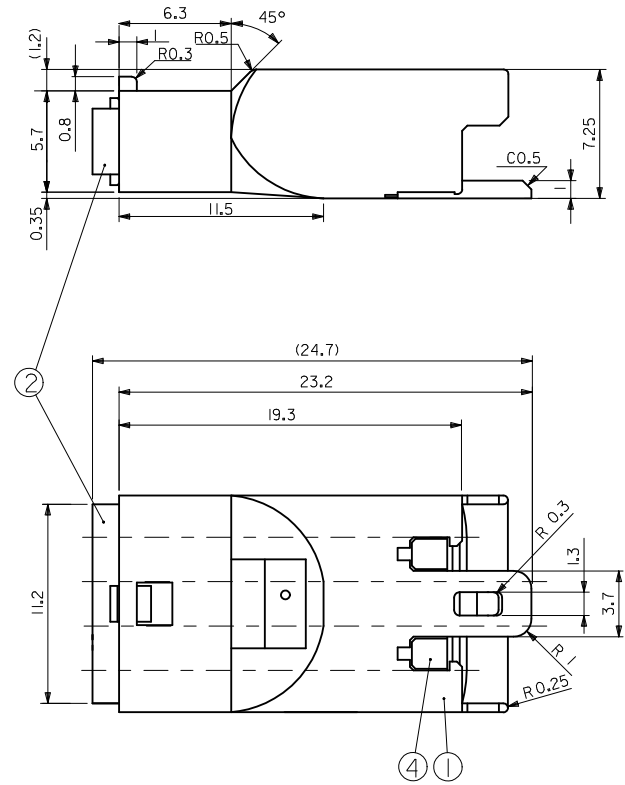
52266-0417



52266-0311



嵌合状態図  
FULLY MATED CONDITION



注記  
NOTE

- 適合端子: 50147-8\*00  
APPLICABLE TERMINAL: 50147-8\*00
- 嵌合相手: 52213-\*\*\*1\*  
MATES WITH: 52213-\*\*\*1\*
- 製品仕様書: PS-52213-003  
PRODUCT SPECIFICATION: PS-52213-003
- 取扱説明書: AS-52213-001  
APPLICATION SPECIFICATION: AS-52213-001

黒 BLACK	52266-0311	3
茶 BROWN	52266-0417	4
ハウジングの色 HSG. COLOR	製品番号 MATERIAL NO.	種数 No. of Ckt.

材料 MATERIAL	色 COLOR	名称 TITLE	
シリコンゴム SILICONE	青 BLUE	SEAL	⑤
ポリエステル (15%G.F.) POLYESTER (15%G.F.)	灰 GRAY	SEAL STOPPER	④
シリコンゴム SILICONE	青 BLUE	WIRE END SEAL	③
ポリエステル (15%G.F.) POLYESTER (15%G.F.)	灰 GRAY	CAP	②
ポリエステル (15%G.F.) POLYESTER (15%G.F.)	表参照 SEE CHART	PLUG HOUSING	①

構成部品  
COMPONENTS

REVISED REV B1	DESCRIPTION EC NO.: JTR2012-0084 DRWN: SANO 2012/07/19 CHKD: SANDO 2012/03/02 APPR: MAYAMOTO 2012/03/16	GENERAL TOLERANCES (UNLESS SPECIFIED)		DIMENSION STYLE MM ONLY	SCALE 5:1	DESIGN UNITS METRIC	TITLE 2.5 MINI WATERPROOF CONN PLUG HSG ASSY (3 AND 4 CKT.)
		10 UNDER ±0.2	10 OVER 30 UNDER ±0.25	30 OVER ±0.3	ANGULAR ±3 °	DRAFT WHERE APPLICABLE MUST REMAIN WITHIN DIMENSIONS	THIS DRAWING CONTAINS INFORMATION THAT IS PROPRIETARY TO MOLEX INCORPORATED AND SHOULD NOT BE USED WITHOUT WRITTEN PERMISSION
				DRAWN BY M. SANO	DATE 1991/07/17	MATERIAL NO. SD-52266-002	
				CHECKED BY M. SAKANO	DATE 1993/11/09	SHEET NO. 1 OF 1	
				APPROVED BY MENOMOTO	DATE 1993/11/09	DOCUMENT NO.	