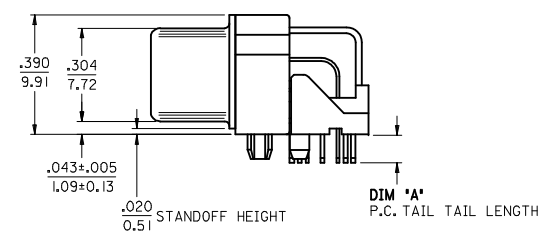


NOTES:  
 1. MATERIAL:  
 SHIELD: DEEP DRAW STEEL,  
 HOUSING: LCP, UL94V-0, NATURAL (WHITE),  
 TAIL ALIGNER: LCP, UL94V-0, NATURAL (WHITE),  
 CONTACT: COPPER ALLOY.  
 2. PLATING: SEE SHEET 2.  
 3. PRODUCT CONFORMS TO MOLEX PRODUCT SPECIFICATION NUMBER PS-74320-001. REFER TO THIS SPECIFICATION FOR SPACING ON A P.C.B. OF TWO OR MORE CONNECTORS WHEN USING A CABLE OR AN ADAPTER ASSEMBLY.  
 4. SEE SHEET 2 FOR RECOMMENDED PANEL CUT-OUT AND P.C.B. LAYOUT.  
 5. PARTS WILL BE PACKAGED IN TRAYS PER PK-74320-010.  
 6. PRODUCT CONFORMS TO DDWG DVI SPECIFICATION. REFER TO THIS SPECIFICATION FOR CONNECTOR MATING DIMENSIONS.  
 7. RECOMMENDED MOUNTING HARDWARE IS MOLEX P/N 71781-0001 OR 82007-0300 OR 88780-6066. REFER TO PRODUCT SPECIFICATION NUMBER PS-74320-001 FOR THIS APPLICATION TORQUE REQUIREMENT FOR ASSMBLING MOUNTING HARDWARE.  
 ⚠️ CAVITY ID AND MANUFACTURING PLANT CODE.



PART NUMBER	PLATING OPTION	DIM A	DIM B
74320-1000	1	0.092/2.34	0.080±0.020
74320-1001	1	0.050/1.27	2.03±0.51
74320-1003	1	0.123/3.12	0.110/2.79
74320-1004	2	0.092/2.34	0.080±0.020
74320-1005	2	0.050/1.27	2.03±0.51
74320-1006	2	0.110/2.79	0.110/2.79
74320-1007	2	0.123/3.12	0.110/2.79

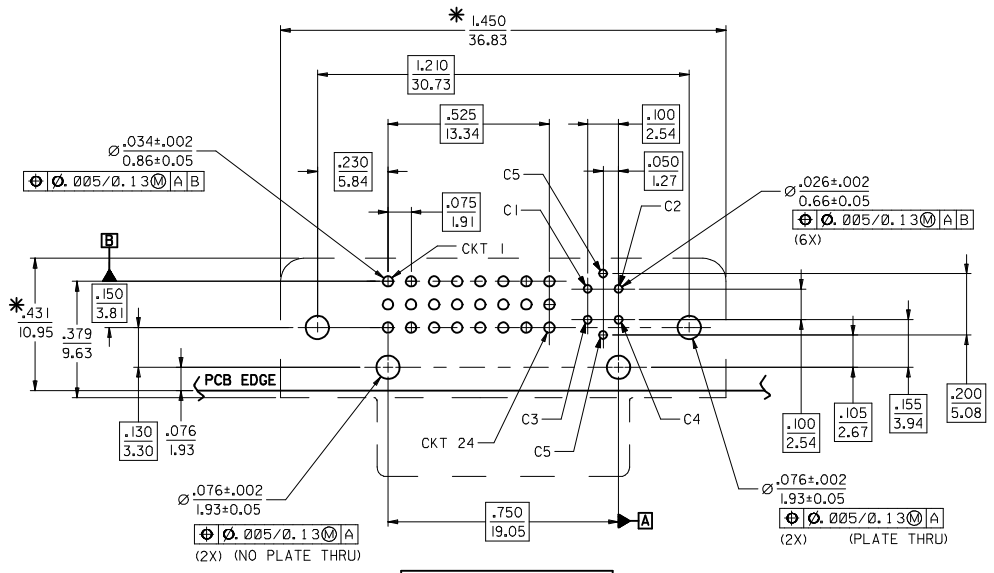
REVISED	EC NO: SH2015-0200	2014/12/10	2015/02/09
DRWN: XQZHANG	CHKD: XQZHANG	APPR: AYIN	
REV	DESCRIPTION		

QUALITY SYMBOLS	GENERAL TOLERANCES (UNLESS SPECIFIED)	
	mm	INCH
$F_{\Delta} = 0$	4 PLACES ± --- ± ---	± 0.010
$F_{\square} = 0$	3 PLACES ± --- ± 0.010	± 0.010
$F_{\nabla} = 0$	2 PLACES ± 0.25 ± 0.010	± 0.010
	1 PLACE ± 0.25 ± 0.010	± ---
	0 PLACE ± --- ± ---	
	ANGULAR ± 0.5°	
	DRAFT WHERE APPLICABLE MUST REMAIN WITHIN DIMENSIONS	

DIMENSION STYLE		SCALE	DESIGN UNITS	THIRD ANGLE PROJECTION
IN/MM		1:1	INCH	
DRAWN BY	DATE	TITLE		
XQZHANG	2014/12/10	DVI - INTERGRATED RIGHT ANGLE RECEPTACLE CONNECTOR		
CHECKED BY	DATE			
XQZHANG	2014/12/10			
APPROVED BY	DATE	SEE TABLE		
AYIN	2015/02/09			
MATERIAL NO.	DOCUMENT NO.	SHEET NO.		
		1 OF 2		

**molex**

THIS DRAWING CONTAINS INFORMATION THAT IS PROPRIETARY TO MOLEX INCORPORATED AND SHOULD NOT BE USED WITHOUT WRITTEN PERMISSION



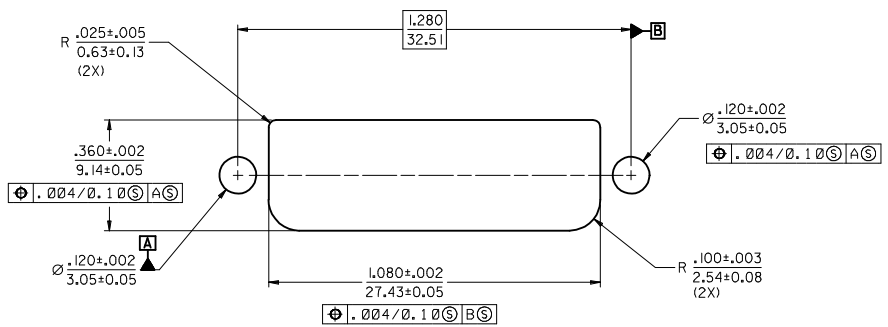
**PLATING OPTIONS:**

**PLATING OPTION #1:**

- OUTER SHIELD -- 150u"/(3.75um) MIN. BRIGHT TIN OVER
- 50u"/(1.27um) MIN. NICKEL OVER COPPER FLASH.
- .075"/(1.91mm) CONTACTS -- 30u"/(0.75um) MIN. SELECT GOLD AND 100u"/(2.50um) MIN. SELECT PURE TIN OVER 50u"/(1.27um) MIN. NICKEL OVERALL.
- .100"/(2.54mm) CONTACTS -- 30u"/(0.75um) MIN. SELECT GOLD AND 100u"/(2.50um) MIN. SELECT PURE TIN OVER 50u"/(1.27um) MIN. NICKEL OVERALL.

**PLATING OPTION #2:**

- OUTER SHIELD -- 150u"/(3.75um) MIN. BRIGHT TIN OVER
- 50u"/(1.27um) MIN. NICKEL OVER COPPER FLASH.
- .075"/(1.91mm) CONTACTS -- SELECT GOLD FLASH AND 100u"/(2.50um) MIN. SELECT PURE TIN OVER 50u"/(1.27um) MIN. NICKEL OVERALL.
- .100"/(2.54mm) CONTACTS -- SELECT GOLD FLASH AND 100u"/(2.50um) MIN. SELECT PURE TIN OVER 50u"/(1.27um) MIN. NICKEL OVERALL.



SEE SHEET 1  
 EC NO: SH2015-0200  
 DRWN: XQZHANG 2014/12/10  
 CHKD: XQZHANG 2014/12/10  
 APPR: AYIN 2015/02/09

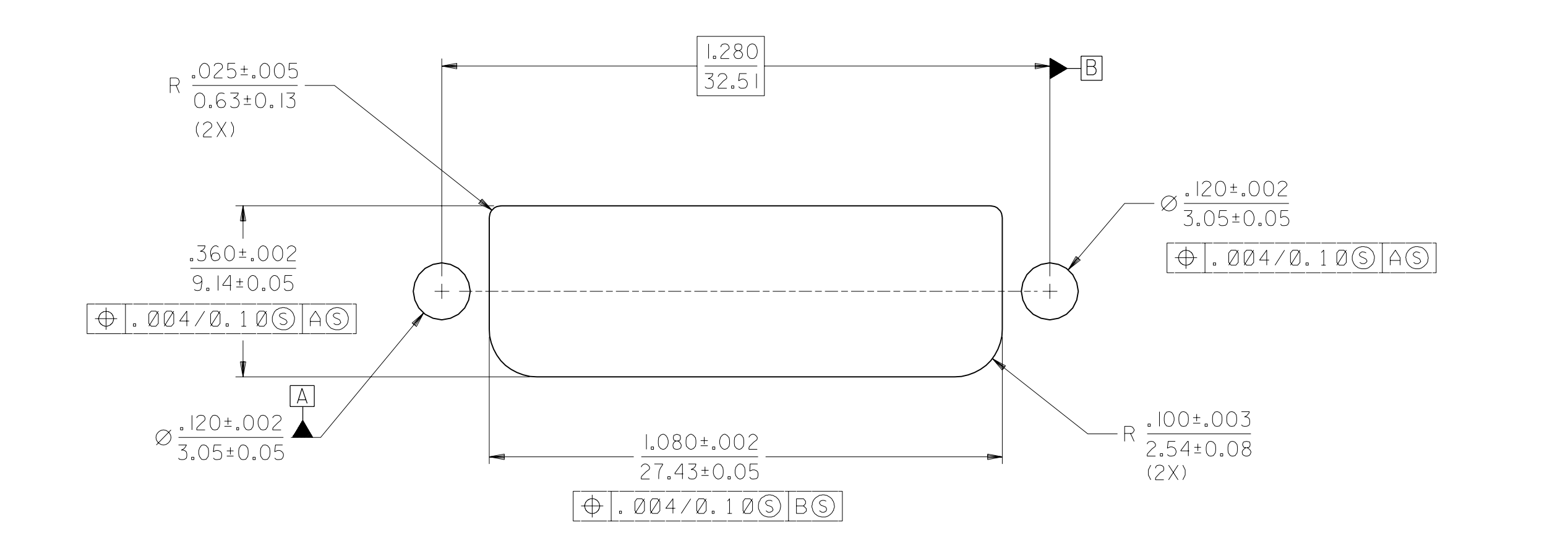
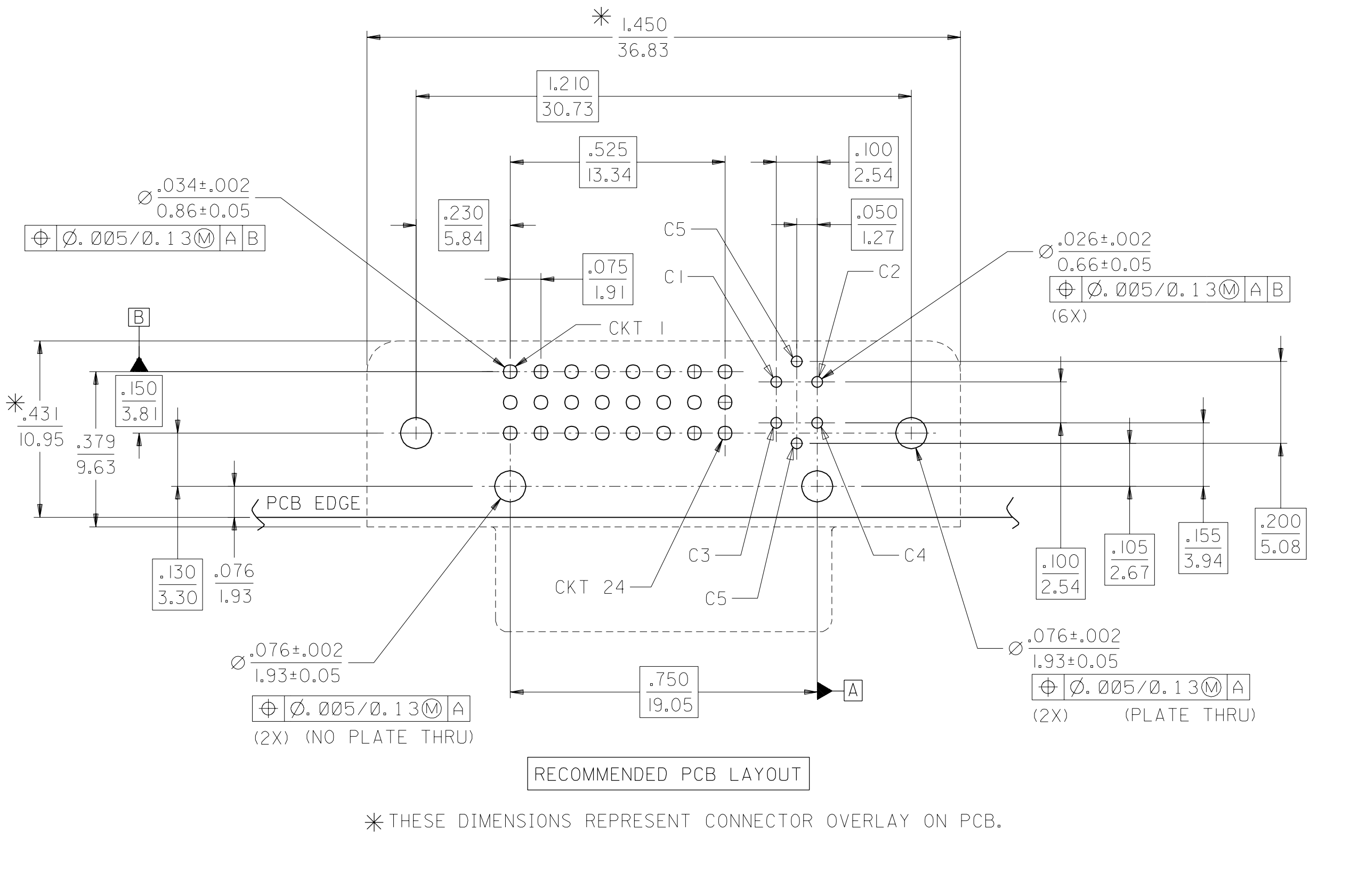
REV	DESCRIPTION
F <sub>A</sub> =0	
F <sub>C</sub> =0	
F <sub>P</sub> =0	

GENERAL TOLERANCES (UNLESS SPECIFIED)	
mm	INCH
4 PLACES ± ---	± ---
3 PLACES ± ---	± 0.10
2 PLACES ± 0.25	± 0.010
1 PLACE ± 0.25	± 0.010
0 PLACE ± ---	± ---

ANGULAR ±0.5°  
 DRAFT WHERE APPLICABLE  
 MUST REMAIN WITHIN DIMENSIONS

DIMENSION STYLE	
IN/MM	
DRAWN BY	DATE
XQZHANG	2014/12/10
CHECKED BY	DATE
XQZHANG	2014/12/10
APPROVED BY	DATE
AYIN	2015/02/09

SCALE	DESIGN UNITS	THIRD ANGLE PROJECTION
1:1	INCH	
<b>DVI - INTERGRATED RIGHT ANGLE RECEPTACLE CONNECTOR</b> 		
MATERIAL NO.	DOCUMENT NO.	SHEET NO.
SEE SHEET 1	SD-74320-001	2 OF 2
THIS DRAWING CONTAINS INFORMATION THAT IS PROPRIETARY TO MOLEX INCORPORATED AND SHOULD NOT BE USED WITHOUT WRITTEN PERMISSION		



**PLATING OPTIONS:**

**PLATING OPTION #1:**

- OUTER SHIELD -- 150u"/(3.75um) MIN. BRIGHT TIN OVER 50u"/(1.27um) MIN. NICKEL OVER COPPER FLASH.
- .075"/(1.91mm) CONTACTS -- 30u"/(0.75um) MIN. SELECT GOLD AND 100u"/(2.50um) MIN. SELECT PURE TIN OVER 50u"/(1.27um) MIN. NICKEL OVERALL.
- .100"/(2.54mm) CONTACTS -- 30u"/(0.75um) MIN. SELECT GOLD AND 100u"/(2.50um) MIN. SELECT PURE TIN OVER 50u"/(1.27um) MIN. NICKEL OVERALL.
- MICROCROSS GROUND -- 30u"/(0.75um) MIN. SELECT GOLD AND 100u"/(2.50um) MIN. SELECT PURE TIN OVER 50u"/(1.27um) MIN. NICKEL OVERALL.

**PLATING OPTION #2:**

- OUTER SHIELD -- 150u"/(3.75um) MIN. BRIGHT TIN OVER 50u"/(1.27um) MIN. NICKEL OVER COPPER FLASH.
- .075"/(1.91mm) CONTACTS -- SELECT GOLD FLASH AND 100u"/(2.50um) MIN. SELECT PURE TIN OVER 50u"/(1.27um) MIN. NICKEL OVERALL.
- .100"/(2.54mm) CONTACTS -- SELECT GOLD FLASH AND 100u"/(2.50um) MIN. SELECT PURE TIN OVER 50u"/(1.27um) MIN. NICKEL OVERALL.
- MICROCROSS GROUND -- 30u"/(0.75um) MIN. SELECT GOLD AND 100u"/(2.50um) MIN. SELECT PURE TIN OVER 50u"/(1.27um) MIN. NICKEL OVERALL.

MODIFICATION EC NO. SH2004-0130 DRWN: DXUE 04/03/05 CHK: HARVEY 04/03/11 APPR: SHUANG 04/03/12	QUALITY SYMBOLS	GENERAL TOLERANCES: (UNLESS SPECIFIED)	SCALE 4 : 1	DESIGN UNITS mm <input type="checkbox"/> INCH <input checked="" type="checkbox"/>	THIRD ANGLE PROJECTION <input checked="" type="checkbox"/>	DIMENSIONS: mm <input type="checkbox"/> INCH <input checked="" type="checkbox"/>	SHT	REV
	MAJOR $\nabla=0$	4 PLACES ±0. INCH ±.	DRAWN BY & DATE MOSULLIV 99/02/12	TITLE: DVI - INTERGRATED RIGHT ANGLE RECEPTACLE CONNECTOR	MOLEX INCORPORATED MATERIAL NO. SEE CHART DRAWING NO. SD-74320-001 SHEET NO. 2	THIS DRAWING CONTAINS INFORMATION THAT IS PROPRIETARY TO MOLEX INCORPORATED AND SHOULD NOT BE USED WITHOUT WRITTEN PERMISSION.	SIZE C	
	CRITICAL $\nabla c=0$	3 PLACES ±0. INCH ±.010	CHECKED BY & DATE MOSULLIV 99/02/12					
	REV	2 PLACES ±0.25 INCH ±.010	APPROVED BY & DATE NELLIGAN 99/02/15	CAD FILENAME SD7432001.S02				
	1 PLACE ±0.25 INCH ±.010	ANGULAR: ± 1/2°	DRAFT WHERE APPLICABLE MUST REMAIN WITHIN DIMENSIONS					