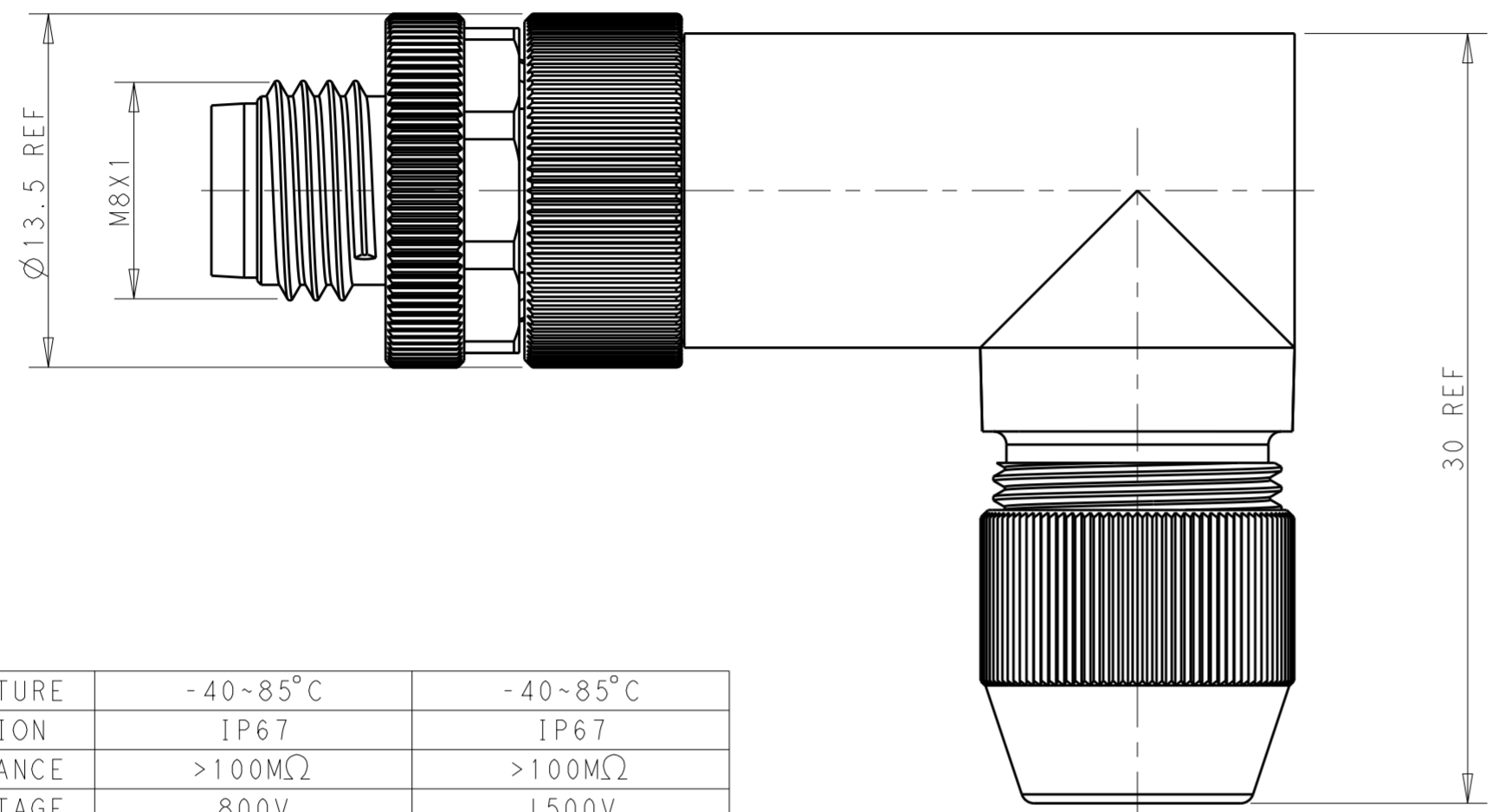
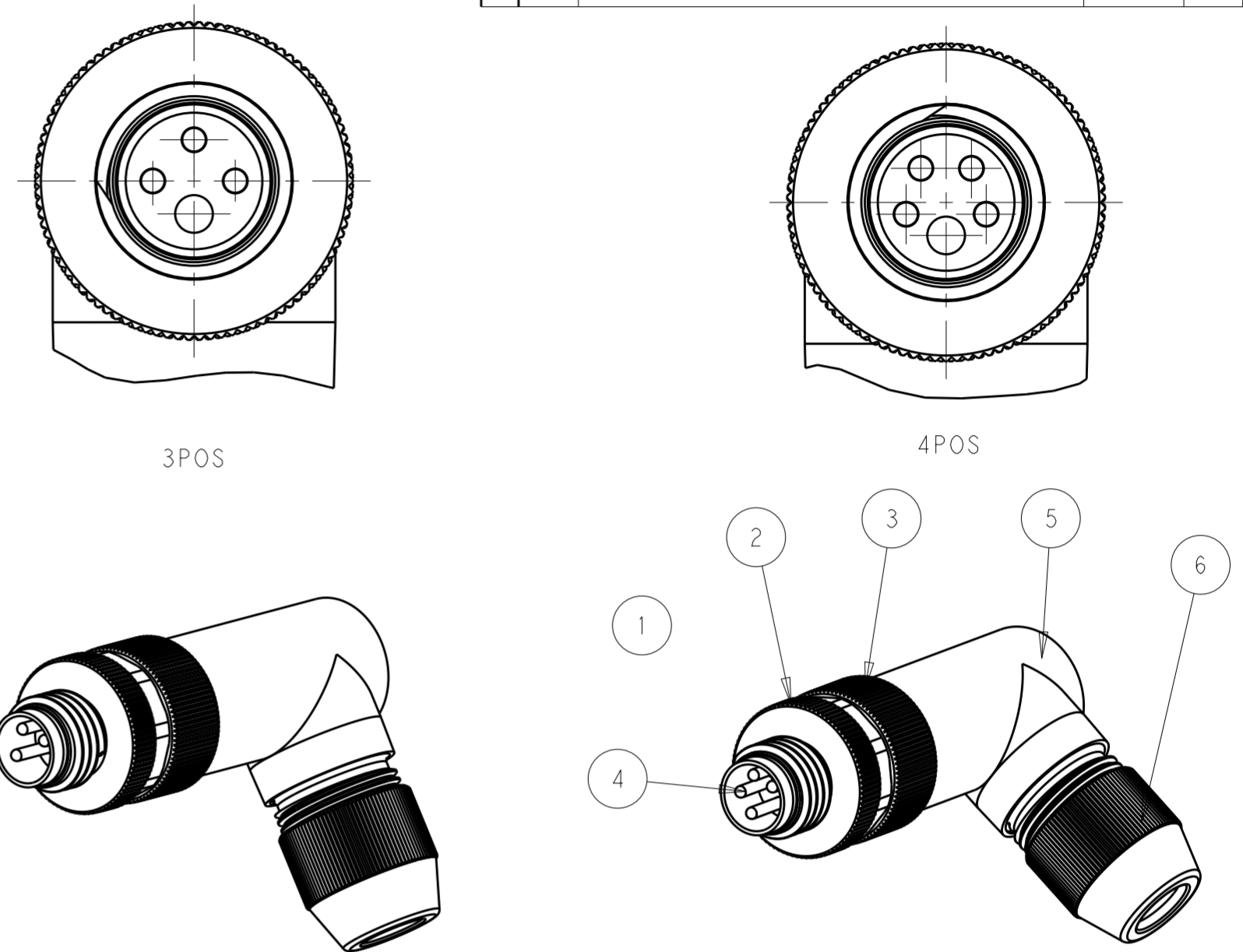


THIS DRAWING IS UNPUBLISHED. RELEASED FOR PUBLICATION 20  
 © COPYRIGHT 20 BY - ALL RIGHTS RESERVED.

REVISIONS					
P	LTR	DESCRIPTION	DATE	DWN	APVD
A		INITIAL RELEASED	11APR2016	L.Z	X.X
B		EC-16-011351 NEW REVISION	01JUL2016	L.Z	X.X
B1		REVISED PER ECR-16-012993	19SEP2016	L.Z	X.X



OPERATION TEMPERATURE	-40~85°C	-40~85°C
DEGREE OF PROTECTION	IP67	IP67
INSULATION RESISTANCE	>100MΩ	>100MΩ
RATED IMPULSE VOLTAGE	800V	1500V
MATERICAL GROUP	II	II
OVERVOLTAGE CATEGOYR	II	II
POLLUTION DEGREE	3	3
RATED CURRENT	3A	3A
RATED VOLTAGE	30V	60V
TECHNICAL DATA	T401301904X-000	T401301903X-000



- NOTES;
- PARTS MATERIAL DATA:SEE TABLE
  - CONTACT FINISH:  
GOLD OVER NICKEL OR SILVER OVER NICKEL
  - CABLE WIRES:  
26AWG/0.14mm<sup>2</sup> Max & 24AWG/0.25mm<sup>2</sup> Max
  - ALL DIMENSIONS ARE FOR NOMINAL REFERENCE ONLY UNLESS OTHERWISE STATE
  - PACKAGIN: 1 PIECE IN A BAG
  - PN INFORMATION FOR ASSEMBLY PARTS  
T401301XXXX-000

CONTACT FINISH:  
1:GOLD OVER NICKEL  
2:SILVER OVER NICKEL

NUMBERS OFPINS:  
03:3 PINS  
04:4 PINS  
...

CABLE OUTLET:  
8:PLASTIC(CABLE FEED:3.5~4.8mm)  
9:METAL(CABLE FEED:3.5~5.0mm)  
...

- 注意事项;
- 零件材料参见附表
  - 表面处理:镀金或镀银
  - 适用线材:26AWG/0.14mm<sup>2</sup> Max & 24AWG/0.25mm<sup>2</sup> Max
  - 所有尺寸标注为基本参考,除非其它说明
  - 包装:每BAG装1PC
  - 料号数字代码参考上表

<del>T4013019042-000</del>	<del>RPC-M8-MR-4CON-PG7-SH</del>	<del>OBSOLETE</del>
T4013019041-000	RPC-M8-MR-4CON-PG7-SHU	
<del>T4013019032-000</del>	<del>RPC-M8-MR-3CON-PG7-SH</del>	<del>OBSOLETE</del>
T4013019031-000	RPC-M8-MR-3CON-PG7-SHU	
TE PN	TYPE	

COMMENT	MATERIAL	DESCRIPTION	ITEM	OBSOLETE	OBSOLETE
	NICKEL	BRASS	PRESS SCREW	6	1
	NICKEL	BRASS	RIGHT ANGLE METAL HOUSING	5	1
	SILVER 80U"	BRASS	M8 SCTREW ASSY PLUG TERMINAL	4	3
	GOLD 3U"			4	3
	NICKEL 80U"	BRASS	M8 SCREW ASSY OUT SCREW	3	1
	NICKEL 80U"	BRASS	M8,MALE INSERT NUT	2	1
	BLACK	PA	M8,MALE HSG,A CODE,4PIN	1	1
			M8,MALE HSG,A CODE,3PIN	1	1
				4	4
				0	0
				1	1
				3	3
				0	0
				1	1
				9	9
				0	0
				4	4
				2	2
				0	0
				0	0
				0	0
				0	0
				0	0
				0	0

THIS DRAWING IS A CONTROLLED DOCUMENT.		DWN LEAR ZHANG 11APR2016	TE Connectivity	
DIMENSIONS: mm		CHK KOBBOY ZHAO 11APR2016		
TOLERANCES UNLESS OTHERWISE SPECIFIED: 0 PLC ±0.2 1 PLC ±0.2 2 PLC ±0.2 3 PLC ± 4 PLC ± ANGLES ± FINISH		APVD XU XIANG 11APR2016	NAME M8 MALE SCREW ASSY RIGHT ANGLE SHIELDING CONNECTOR	
MATERIAL		PRODUCT SPEC 108-106140	SIZE A2	
		APPLICATION SPEC 114-137144-1	CAGE CODE -	
		WEIGHT -	DRAWING NO T40130190XX000	
		CUSTOMER DRAWING	RESTRICTED TO -	
		SCALE 2:1	SHEET 1 OF 1	
			REV B1	